

AU-G99X

OPERATING INSTRUCTIONS
MODE D'EMPLOI
BETRIEBSANLEITUNG
MANUAL DE INSTRUCCIONES
ISTRUZIONI PER L'USO



Sansui

WARNING: To prevent fire or shock hazard, do not expose this appliance to rain or moisture.

- The Model No. and Serial No. of your unit are shown on its back panel.

ATTENTION: Pour éviter les dangers d'électrocution ou d'incendie, ne pas exposer cet appareil à la pluie ou à l'humidité.

- Le numéro du modèle et le numéro de série de l'appareil sont inscrits sur son panneau arrière.

WARNUNG: Setzen Sie dieses Gerät zur Verhütung von Feuer- und Stromschlaggefahr weder Regen noch Feuchtigkeit aus.

- Die Modell- und die Seriennummer Ihres Gerätes sind auf der Geräterückseite angegeben.

AVISO: Para evitar incendios y descargas eléctricas, no exponer este aparato a la lluvia ni a la humedad.

- El Nº de modelo y el Nº de serie de este aparato están impresos en el panel posterior.

ATTENZIONE: Per evitare pericoli d'incendio e scosse non esporre l'apparecchio alla pioggia e all'umidità.

- Il numero del modello e quello di serie dell'apparecchio si trovano sul pannello posteriore.

ENGLISH

Precautions	5
Connections	6
Panel information	8
Operating procedures	10
Specifications	12

5 ~ 12

FRANÇAIS

Précautions	13
Connexions	14
Indications sur le panneau	16
Procédés de réglage	18
Spécifications	20

13 ~ 20

DEUTSCH

Vorsichtsmaßnahmen	21
Anschlüsse	22
Schalttafelinformation	24
Bedienungsverfahren	26
Technische Daten	28

21 ~ 28

ESPAÑOL

Precauciones	29
Conexiones	30
Información del panel	32
Procedimientos de operación	34
Especificaciones	36

29 ~ 36

ITALIANO

Precauzioni	37
Collegamenti	38
Dispositivi del pannello frontale	40
Funzionamento	42
Dati tecnici	44

37 ~ 44

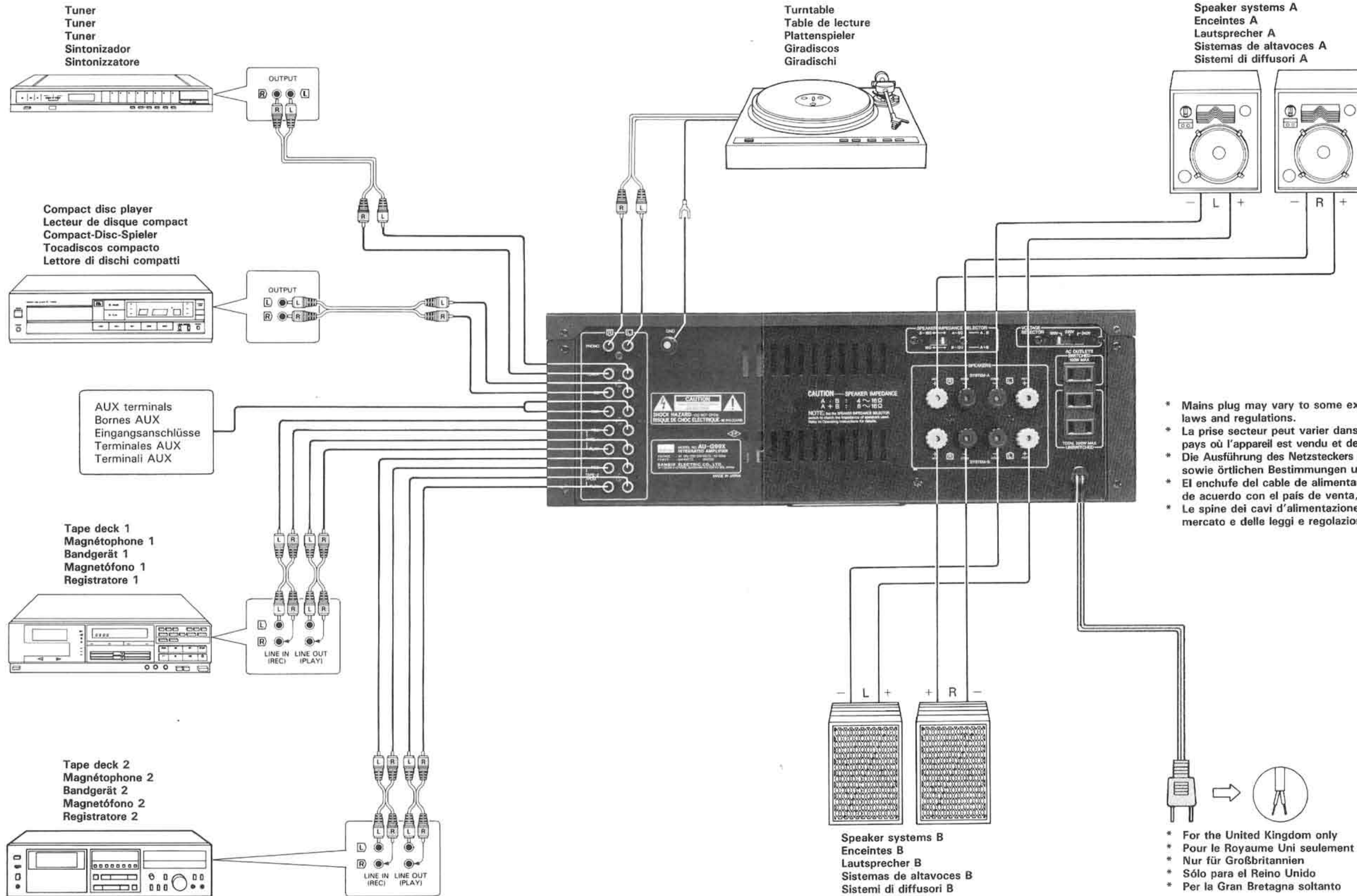
Connection diagram (Refer to page 6 for the detailed connections of each units.)

Schéma de branchement (On trouvera, en page 14, des détails sur la connexion de chaque appareil.)

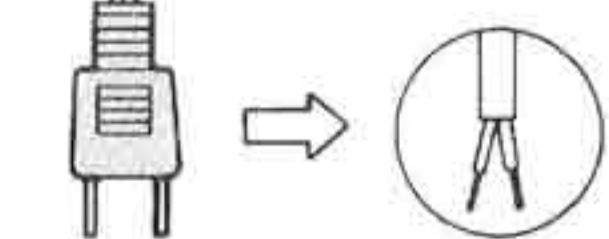
Anschlußplan (Einzelheiten über die Anschlüsse der einzelnen Geräte sind auf Seite 22 angegeben.)

Diagrama de conexiones (Referirse a la página 30 para ver las conexiones detalladas de cada unidad.)

Schema dei collegamenti (Riferirsi alla pag. 38 per i dettagli sul collegamento di ogni componente.)



- * Mains plug may vary to some extent depending on sales area, local laws and regulations.
- * La prise secteur peut varier dans une certaine mesure en fonction du pays où l'appareil est vendu et des lois et réglementations de ce pays.
- * Die Ausführung des Netzsteckers hängt vom jeweiligen Verkaufsgebiet sowie örtlichen Bestimmungen und Vorschriften ab.
- * El enchufe del cable de alimentación puede variar hasta cierto punto de acuerdo con el país de venta, leyes vigentes y regulaciones.
- * Le spine dei cavi d'alimentazione potrebbero variare a seconda del mercato e delle leggi e regolazioni locali.



- * For the United Kingdom only
- * Pour le Royaume Uni seulement
- * Nur für Großbritannien
- * Sólo para el Reino Unido
- * Per la Gran Bretagna soltanto

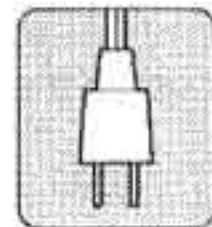
We are grateful for your choice of this SANSUI high fidelity product. Before you operate it, we suggest that you read this booklet once through carefully, familiarizing yourself with the important precautions, operational procedures and every one of the product's many features.

It will help to ensure that you will avoid possible damage and that the product's superb performance will be yours to enjoy for many years to come.

* In order to simplify the explanation illustrations may sometimes differ from the originals.

Precautions

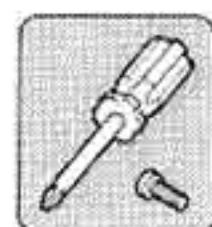
* Bear in mind the following points.



Power plug

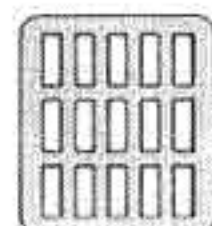
When disconnecting the power cord from the power outlet, always take hold of the plug, and not the wire, and pull free. Never connect or disconnect the power plug with wet hands since you may receive an electric shock.

* Remember to disconnect the power plug from the power outlet when you do not intend to use the unit for a prolonged period of time.



Do not remove the case and bottom panel

Any inspections or adjustments inside the unit may lead to malfunctions and electric shocks. Do not touch any of the inside parts. SANSUI's warranty is not effective if a deterioration in the unit's performance results from remodeling inside.



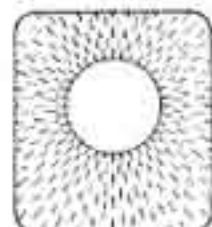
Do not block the ventilation holes

Do not block the ventilation holes on the top of the unit by placing records or other objects over them. This will increase the inside temperature and may lead to a failure or malfunction.



Inside the unit

If a hairpin, coin or any other metal object finds its way inside the unit or if water is splashed over the unit, disconnect the power plug from the outlet immediately and consult your dealer or SANSUI Service Station. Continued use may result in trouble or electric shock.



Installation precautions

Do not install the unit in any of the following locations since this may result in a deterioration in performance or malfunction:

- * Locations exposed to direct sunlight or near objects radiating heat such as heating appliances.
- * Locations exposed to moisture or humidity.
- * Locations with poor ventilation exposed to dust and dirt.
- * Locations which are unstable and not perfectly flat or which are susceptible to vibration.
- * On top of a high power output amplifier, audio components or any other product which radiates heat.

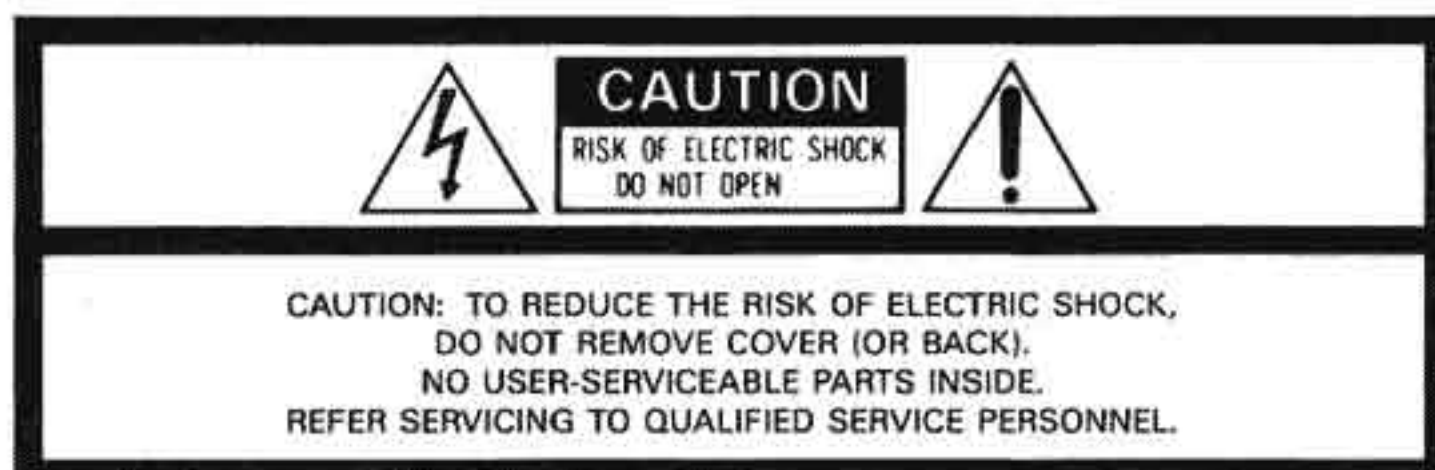


Do not wipe with thinners

Wipe the panels and case from time to time with a soft cloth. Using any kind of thinner, alcohol or volatile liquid will mar the surface, cause blotching on the exterior and erase the markings and should therefore be avoided. Do not use insecticide sprays in the vicinity.

Power requirements

The voltage of this product is set to the power requirements of the destination before this unit was shipped from the factory. If the unit is to be used in an area where the power requirements differ, make sure you consult your nearest authorized SANSUI Service Station.



The lightning flash with arrowhead symbol, within an equilateral triangle, is intended to alert the user to the presence of uninsulated "dangerous voltage" within the product's enclosure that may be of sufficient magnitude to constitute a risk of electric shock to persons.



The exclamation point within an equilateral triangle is intended to alert the user to the presence of important operating and maintenance (servicing) instructions in the literature accompanying the appliance.

For the United Kingdom only

Important

The wires in this mains lead are coloured in accordance with the following code:

Blue: Neutral
Brown: Live

If the colours of the wires in the mains lead of this equipment should not correspond to the coloured markings identifying the terminals in your plug, proceed as follows:

The wire which is coloured **blue** must be connected to the terminal which is marked with the letter 'N' or coloured black.

The wire which is coloured **brown** must be connected to the terminal which is marked with the letter 'L' or coloured red.

Ensure that your equipment is connected correctly. If you are in any doubt, consult a qualified electrician.

For equipment purchased outside the U.K. with a "EUROPEAN" two-pin mains plug, the plug should be removed and connections made in accordance with the above instructions. Ensure also that the equipment is properly adjusted to 240 volts operation. If you are in any doubt, consult a qualified electrician, or our Service Agent in the U.K.

This unit dissipates the heat most effectively when installed on a flat surface. Do not stand it up or install it at an angle.

Connections

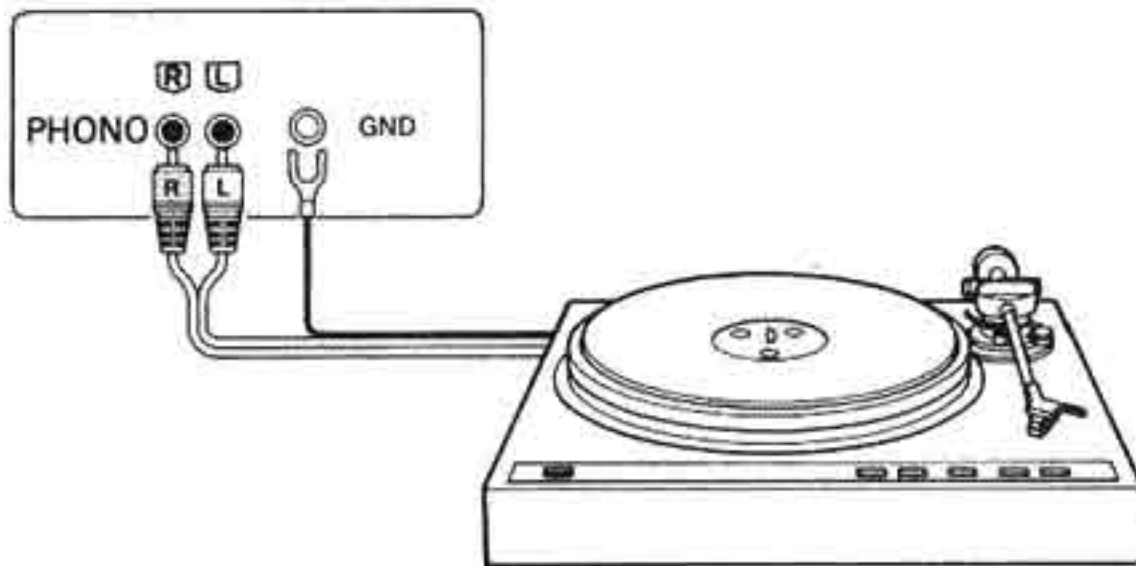
Refer to page 3 connection diagram as you read the following.

Connection precautions

- * When connecting, either disconnect the power plug from the power outlet or turn off the unit's power using the POWER switch.
- * Before connecting, read through the Operating Instructions of the other audio components which will be connected to this unit.
- * Check the left and right channels and connect properly (L to L and R to R).
- * Insert the plugs securely. Improper connection can lead to the generation of noise.

Turntable

Connect the turntable's output cord L (white) plug to the L PHONO terminal and the R (red) plug to the R terminal. If your turntable is equipped with a grounding cable, connect it to the unit's GND terminal. But disconnect it if you notice increased hum.

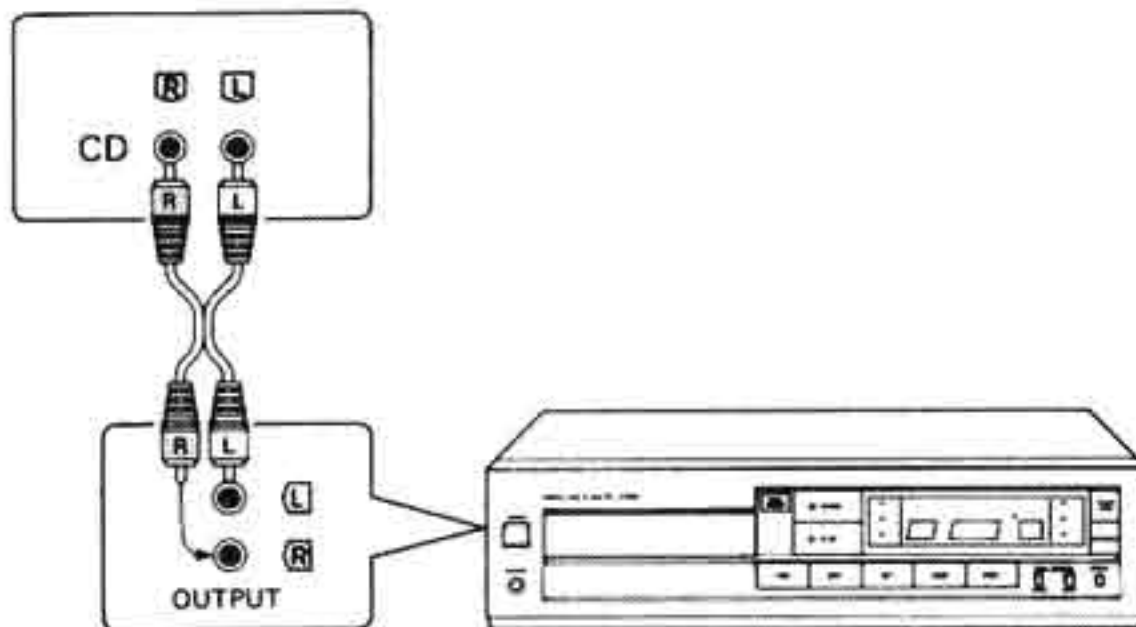


Compact disc player

When a compact disc player (SANSUI PC-V1000, etc.) is used, it should be connected to the CD terminals.

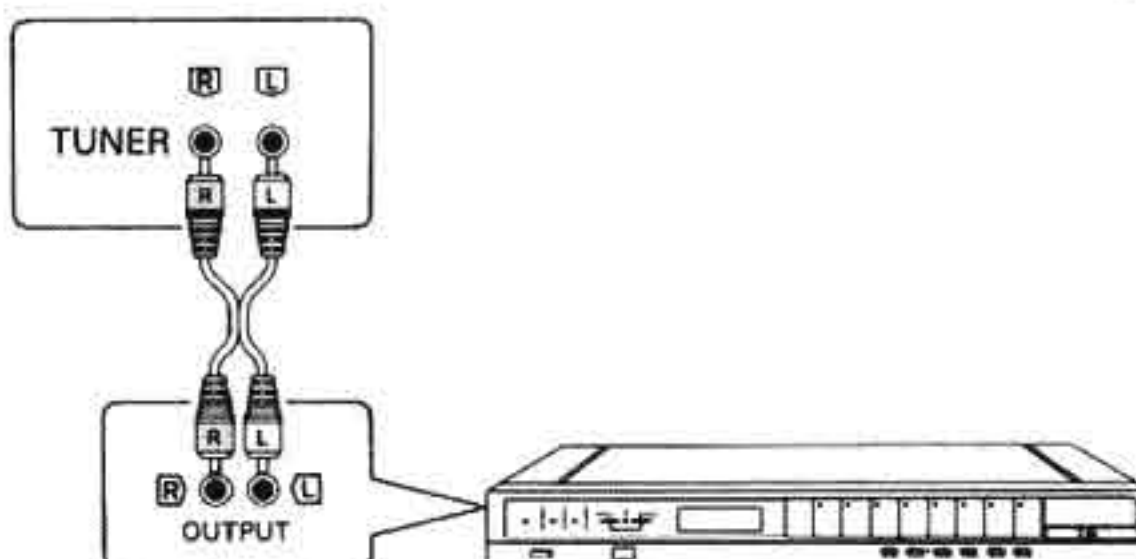
Use a pin plug cord to connect the CD terminals to the output terminals of the compact disc player.

- * The CD terminals have the same electrical specifications as the TUNER and TAPE PLAY terminals.



Tuner

Connect the TUNER terminals with the OUTPUT terminals on the tuner using the pin plug cord.

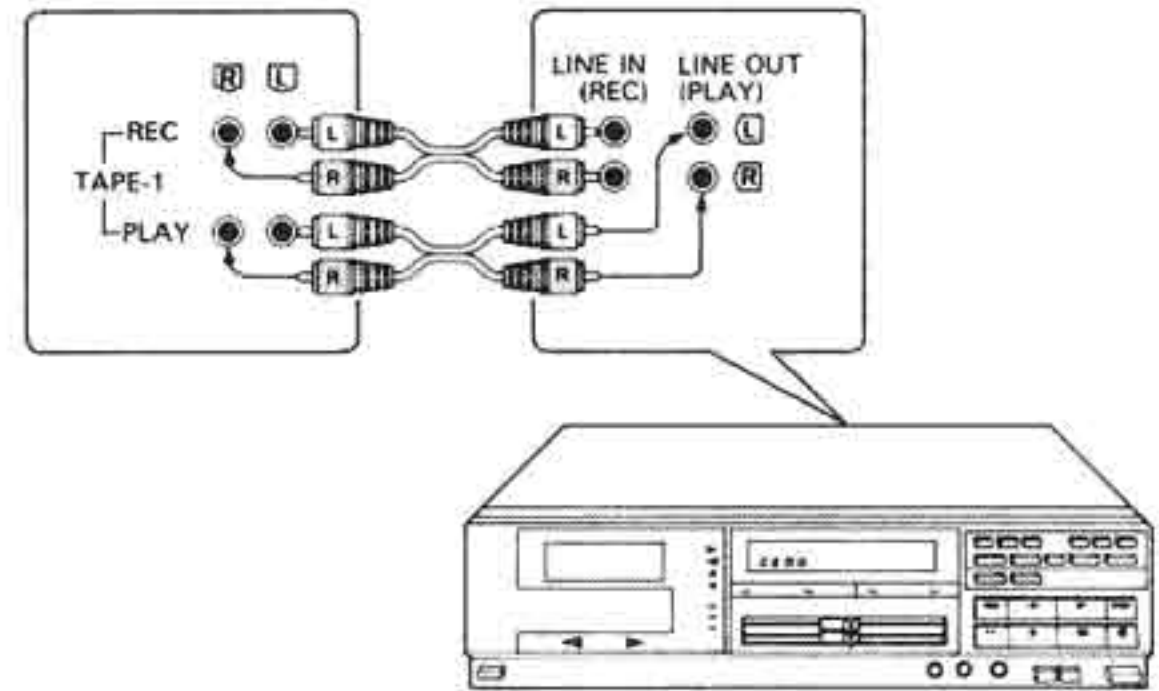


Tape deck

When a single tape deck is to be used, connect it to the TAPE-1 terminals. A second tape deck may be connected to the TAPE-2/PCM terminals, allowing you to perform simultaneous recording or tape dubbing (copying).

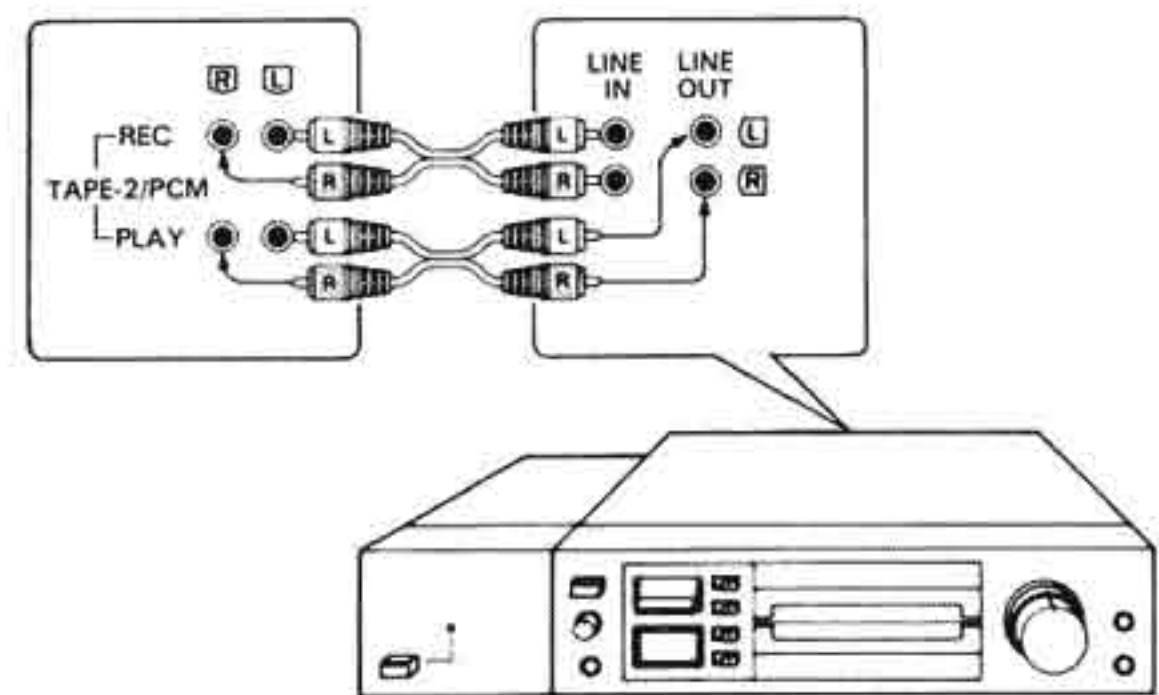
Recording connections: Connect the tape recording (REC) terminals to the recording input (LINE IN) terminals on the tape deck using the pin plug cord.

Playback connections: Connect the tape playback (PLAY) terminals to the playback output (LINE OUT) terminals on the tape deck using the pin plug cord.



PCM audio processor

When using a PCM audio processor (SANSUI PC-X1, etc.), connect it to the TAPE-2/PCM terminals. Use a pin plug cord to connect the unit's TAPE-2/PCM REC terminals to the PCM audio processor's LINE IN terminals, and connect another pin plug cord between the unit's TAPE-2/PCM PLAY terminals and the PCM audio processor's LINE OUT terminals.



AUX Terminals

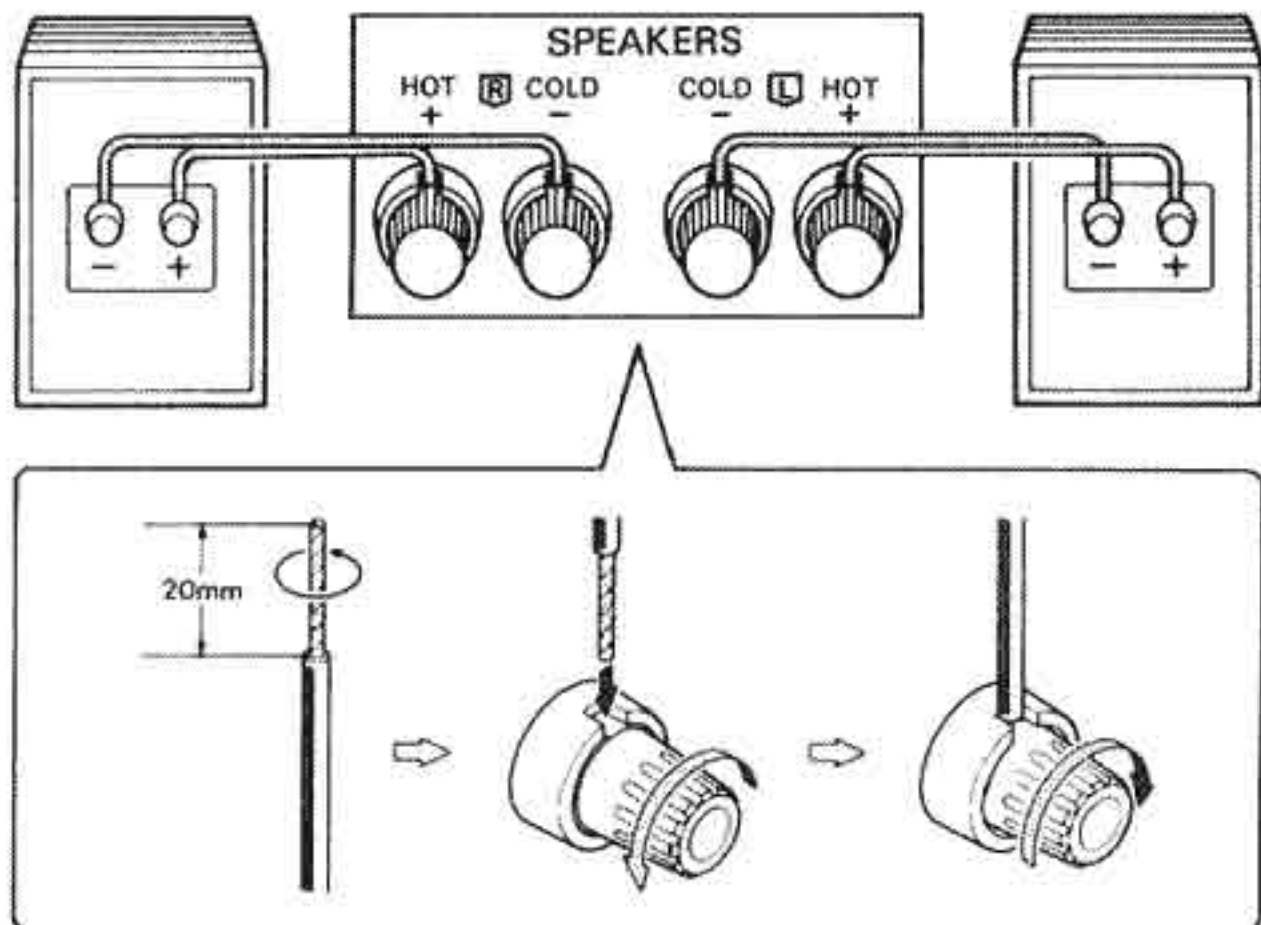
The auxiliary input (AUX) terminals have the same electrical performance as the tuner or tape terminals. Use them to connect a second stereo tuner or a playback-only deck. Connect the AUX terminals with the OUTPUT terminals on the component using the pin plug cord.

Speaker systems

There are two sets of SPEAKERS terminals for connecting speakers, SYSTEM-A, and SYSTEM-B. When using only a single set of speakers, connect them to the SYSTEM-A terminals.

Connect the (+) speaker terminals to the red (+) terminals on the speaker system and the (-) speaker terminals to the black (-) terminals. If these polarities are not aligned properly, the sound of the instruments will not be positioned stably, the sound in the center will appear lacking and a true stereo effect will not be obtained.

- * When connecting, do not allow the conductor of the speaker cords to be exposed from the terminals and come into contact with other terminals.
- * Since the output stage of this unit is in the form of a bridge, the SPEAKERS negative terminals (-) must not be connected in common; they also must not be connected to the GND terminal (chassis) of other components.



About speaker system impedance

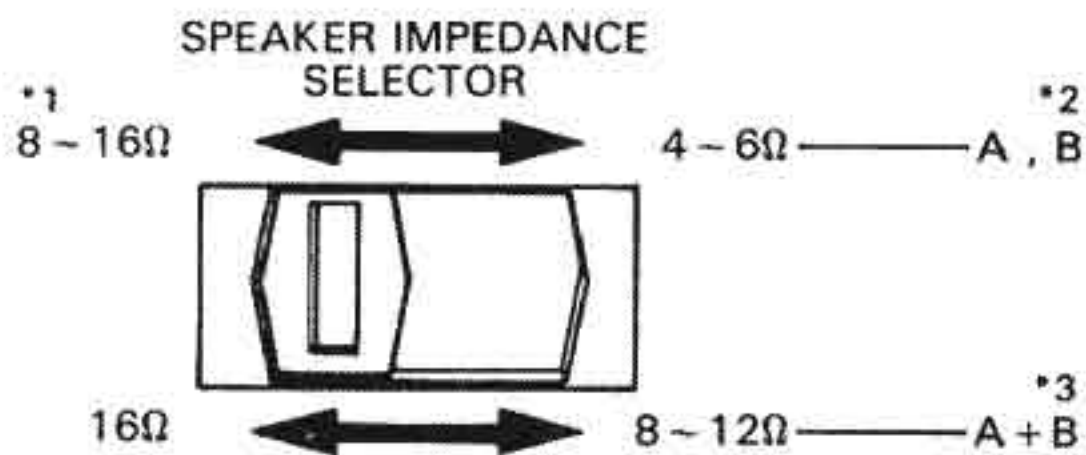
When the two speaker systems connected to the SYSTEM-A and SYSTEM-B terminals are to be used separately, their rated impedance may range from 4-16 ohms, but when two systems are to be used together (A + B), the rated impedance of both systems should be 8 ohms or more. If even one of the speaker systems has a rated impedance of less than 8 ohms, the protection circuit may operate during play, or malfunction may result.

SPEAKER IMPEDANCE SELECTOR switch

Located on the rear panel, this switch should be set to the rated impedance of the speaker systems connected to the unit.

- The rated impedance is shown on the units themselves, or in the operating instructions, of your speakers.

If this switch is not set properly, full output may not be achieved, or abnormal heat may be produced.



- *1: Rated impedance of speaker system.
- *2: When using only one set of the speaker systems connected to either SPEAKERS SYSTEM-A or -B terminals.
- *3: When using both sets of speaker systems connected to SPEAKERS SYSTEM-A and -B terminals.

AC outlets

This unit is provided with auxiliary AC outlets which are handy for connecting a tuner, tape deck or turntable to supply power to these units.

SWITCHED (100 W capacity): The power of the connected components is switched on and off when the unit's POWER switch is operated.

UNSWITCHED (250 W total capacity): The power is supplied to the connected components regardless of the position of the unit's POWER switch.

It is extremely dangerous to connect an electrical appliance having a power consumption exceeding the specified capacity. Before connecting the appliance or components, check its power consumption rating.

- A high voltage flows to the AC outlets and so hairpins or other metal objects must not be inserted since this will result in an electric shock. Small children should not be allowed to play with these outlets.

NOTE: Depending on the laws and regulation enforced locally, models without AC outlets may be supplied to some areas. Also, depending on the sales area, the shape of the AC outlets and their capacity may differ.

IMPORTANT

Before connecting power plug to outlet

The power voltage of the unit has been set for the area of shipment at either AC 120V, 220V or 240V. Depending upon the laws and regulations of the area of sale, some units must be set at 120V only, while others can operate at different voltages selected with the VOLTAGE SELECTOR switch. Before connecting the unit, be sure to always check as explained below that the unit voltage and the power source voltage match. If the unit is connected to a power source with excessive voltage, fire or breakdown may result.

Units without voltage selector switch

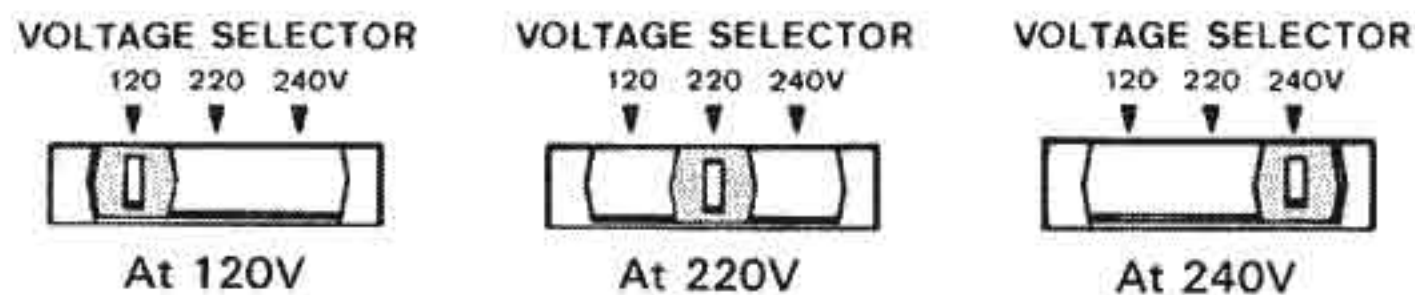
Units designed exclusively for AC 120V power voltage do not have a voltage selector switch at the rear panel. Thus, they cannot be used in areas with voltages other than AC 120V. If you wish to use another voltage with this unit, inquire at your nearest service station or retail store.

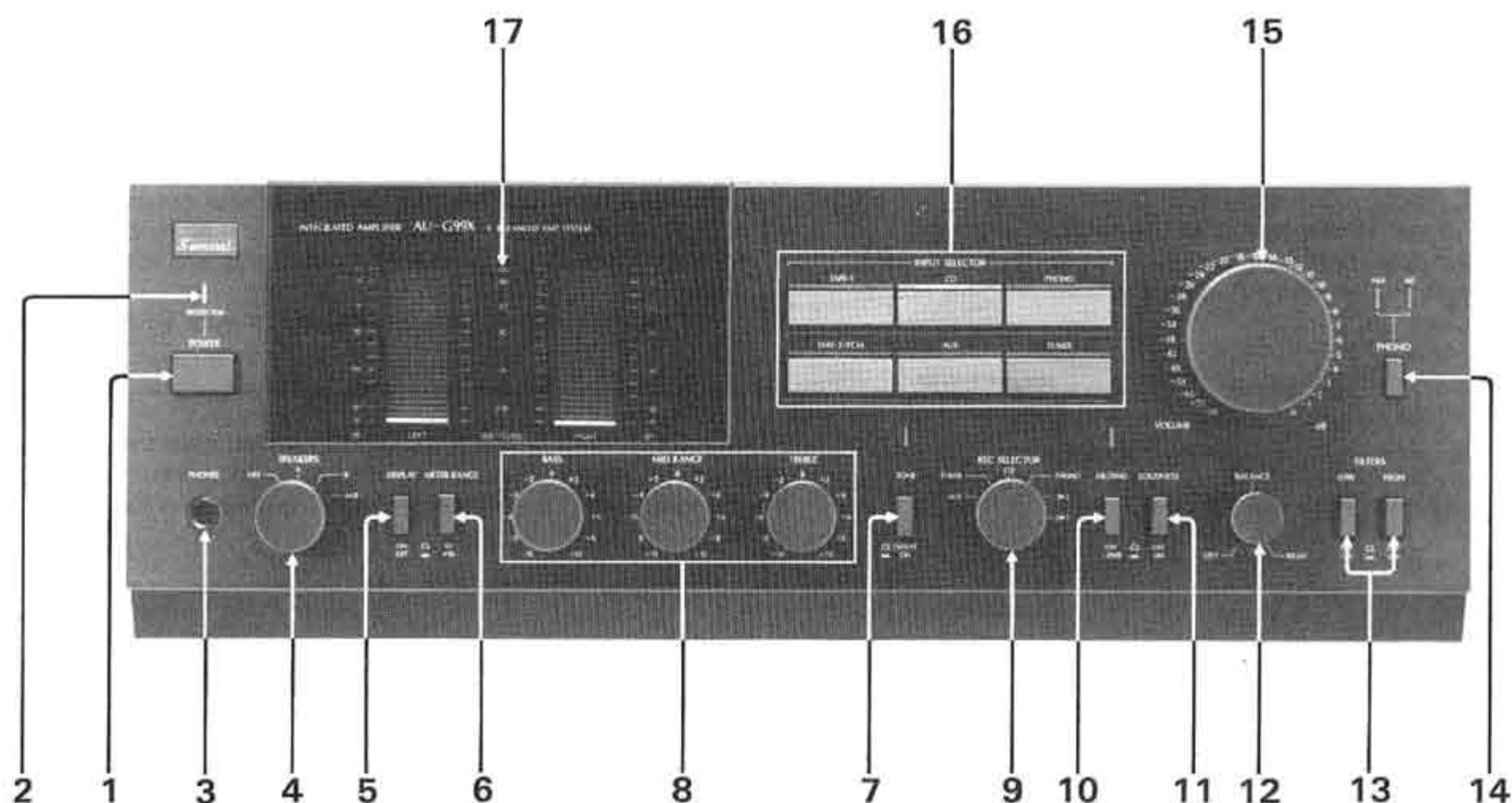
Units with voltage selector switch

Units with a voltage selector switch are set at the voltage of the particular sales region before shipment, but you should always confirm that the correct voltage has been set before connecting the unit power plug. If the voltages do not match, set the unit for the correct voltage with the VOLTAGE SELECTOR switch according to the following procedure.

- **Units with 120V/220V/240V VOLTAGE SELECTOR switch at rear panel**

These units are set at either 120V, 220V, or 240V with the VOLTAGE SELECTOR switch at the rear panel. Change the voltage by sliding the switch with a minus screwdriver or similar device.





1 POWER Switch

2 PROTECTOR Indicator

Power is supplied to the amplifier when this switch is depressed and the indicator winks. After several seconds, the indicator stops winking and lights to indicate that the amplifier is now fully operational. The power is switched off when the switch is released.

* No sound will be heard through the speakers while the indicator is winking. If the indicator changes to winking during operation, it means that the built-in protection circuit has been activated because of trouble inside the amplifier.

3 PHONES Jack

This is the jack for the headphones. Connect the plug on the stereo headphones for private listening. Adjust the volume so that it does not hurt your ears when using the headphones.

* If you do not intend to use your headphones, always ensure that you unplug them.

4 SPEAKERS Switch

This switch selects the speaker systems you want to hear.

OFF: To cut off the source from the speaker systems when listening with headphones.

A: To drive the speaker systems connected to the SPEAKERS SYSTEM-A terminals.

B: To drive those connected to the SYSTEM-B terminals.

A+B: To drive both A and B pairs speaker systems.

* Set the SPEAKER IMPEDANCE SELECTOR switch on the unit's rear panel in accordance with the rated impedance of the speakers you use. Be especially careful when using the "A+B" position.

5 DISPLAY Switch

This switch turns ON and OFF the output power indication on the peak power display. Press it ON to monitor the output power on the peak power display.

6 METER RANGE Selector Switch

The METER RANGE selector switch is used to switch the display range between two levels. Select the position which yields the display range where it is easier to monitor the power output.

7 TONE Switch

When this switch is depressed when the tone controls are rotated to adjust the sound quality, the indicator lights to indicate that the sound can be adjusted.

8 Tone controls

The sound quality can be adjusted by operating these control knobs while the tone indicator is lit.

When the BASS knob is turned from the "0" position to the right, the low frequencies will become stronger, and when it is turned to the left, the low frequencies will become weaker.

When the MID RANGE knob is turned from the "0" position to the right, the medium frequencies will become stronger, and when it is turned to the left, the medium frequencies will become weaker.

When the TREBLE knob is turned from the "0" position to the right, the high frequencies will become stronger, and when it is turned to the left, the high frequencies will become weaker.

* The tone controls will be ineffective when the tone indicator is out.

9 REC SELECTOR Switch

This control is for selecting the program source for tape recording. With this control, recording can be performed regardless of the setting of the INPUT SELECTOR switches.

AUX: For recording signals from the component connected to the AUX terminals.

TUNER: For recording radio broadcasts received by the tuner connected to the TUNER terminals.

CD: For recording signals from the compact disc player connected to the CD terminals.

PHONO: For recording programs from the turntable connected to the PHONO terminals.

1 ▶ 2: For recording from the tape deck connected to the TAPE-1 terminals to the deck connected to the TAPE-2/PCM terminals.

2 ▶ 1: For recording from the tape deck connected to the TAPE-2/PCM terminals to the deck connected to the TAPE-1 terminals.

10 MUTING Switch

This switch cuts the volume by 20 dB. Depress it when you want to temporarily reduce the volume; the indicator lights and the sound is muted. When the switch is released, the indicator goes off and the sound regains its former strength. Bear in mind that the volume is increased rather suddenly.

11 LOUDNESS Switch

The human ear is such that the bass, mid.range and treble response drop off and are hard to hear when the volume is reduced. Under low-volume conditions, the sound appears to have little substance but when the LOUDNESS switch is ON position, the bass, mid.range and treble are emphasized to give a more balanced effect. The frequency response is made flat when the switch is released to the OFF position.

12 BALANCE Control

The volume of the left and right speakers can be adjusted by the BALANCE control. As the control is turned counterclockwise from the center position, the sound from the left speaker becomes louder than that from the right speaker, and vice versa. Adjust so that the sounds from the left and right speakers are heard with equal volume at your listening position.

13 FILTERS Switches

LOW: This switch attenuates the low frequencies beyond the audible frequency range. The ultra-low-range noise generated by record warp and other factors is a cause of intermodulation distortion which adversely affects the sound quality but this can be attenuated by pushing the switch to the depressed ON position. When pushed again and released, it is set to the OFF position.

HIGH: When this switch is depressed ON position, the high-range frequencies are cut off. Set to this position when there is a great deal of noise from the scratches on records or highfrequency noise during AM reception.

* Set this switch to OFF when there is no need to activate the filter.

14 PHONO Switch

Set this switch in accordance with the output voltage of the cartridge used on your record player. The indicator will light in accordance with the position selected.

MM: Press this switch when using a high output (1 mV or greater) cartridge.

MC: Press this switch when using a low output (less than 1 mV) cartridge.

15 VOLUME Control

This control adjusts the volume of the speakers or headphones. The sound is increased as it is rotated clockwise. Listen to music and set it to a comfortable listening level.

16 INPUT SELECTOR Switches

These switches are for selecting your desired program source. When a switch is depressed, the indicator above the switch will light.

PHONO: This switch is depressed when you wish to listen to records on the turntable connected to the PHONO terminals.

After depressing this switch, set the PHONO switch appropriately.

CD: This switch is depressed when you wish to listen to the compact disc player connected to the CD terminals.

TUNER: This switch is depressed when you wish to listen to radio broadcasts from the tuner connected to the TUNER terminals.

TAPE-1: This switch is depressed when playing back tapes on the tape deck connected to the TAPE-1 terminals.

TAPE-2/PCM: This switch is depressed when using a second tape deck, or PCM audio processor connected to the TAPE-2/PCM terminals, for tape playback or PCM audio playback.

AUX: This switch is depressed when using the component connected to the AUX terminals for playback.

* Be sure to press the desired switch (one only) firmly.

17 Peak Power Display

This indicates the power output and so monitor this display when adjusting the volume. Displayed is the output power* in watts when speakers with an 8-ohms impedance are used. When the METER RANGE selector switch is set to the "×1" position, the display range is the same as the indicated values. When it is set to the "×10", the display range is reduced to one-tenth of the indicated value.

* When impedance is other than 8 ohms, the actual output will differ from output shown on the display. Conversion is then necessary for correct readings. To do so, multiply the read value by 8, divided by the connected speaker's impedance.

$$\text{Indicated power (watts)} \times \frac{8}{\text{Speaker's impedance (ohms)}} = \text{Correct power (watts)}$$

Operating procedures

Before switching on the power

First set the **VOLUME** control to the minimum position, and then depress the **POWER** switch to supply the power.

For several seconds after the power has been switched on, the protector circuit is activated until the circuits inside the unit have begun to operate stably, and the **PROTECTOR** indicator winks. While the protector circuit is activated, no sound will be heard through the speakers. The amplifier is fully operational when the **PROTECTOR** indicator stops winking and lights.

Basic operation

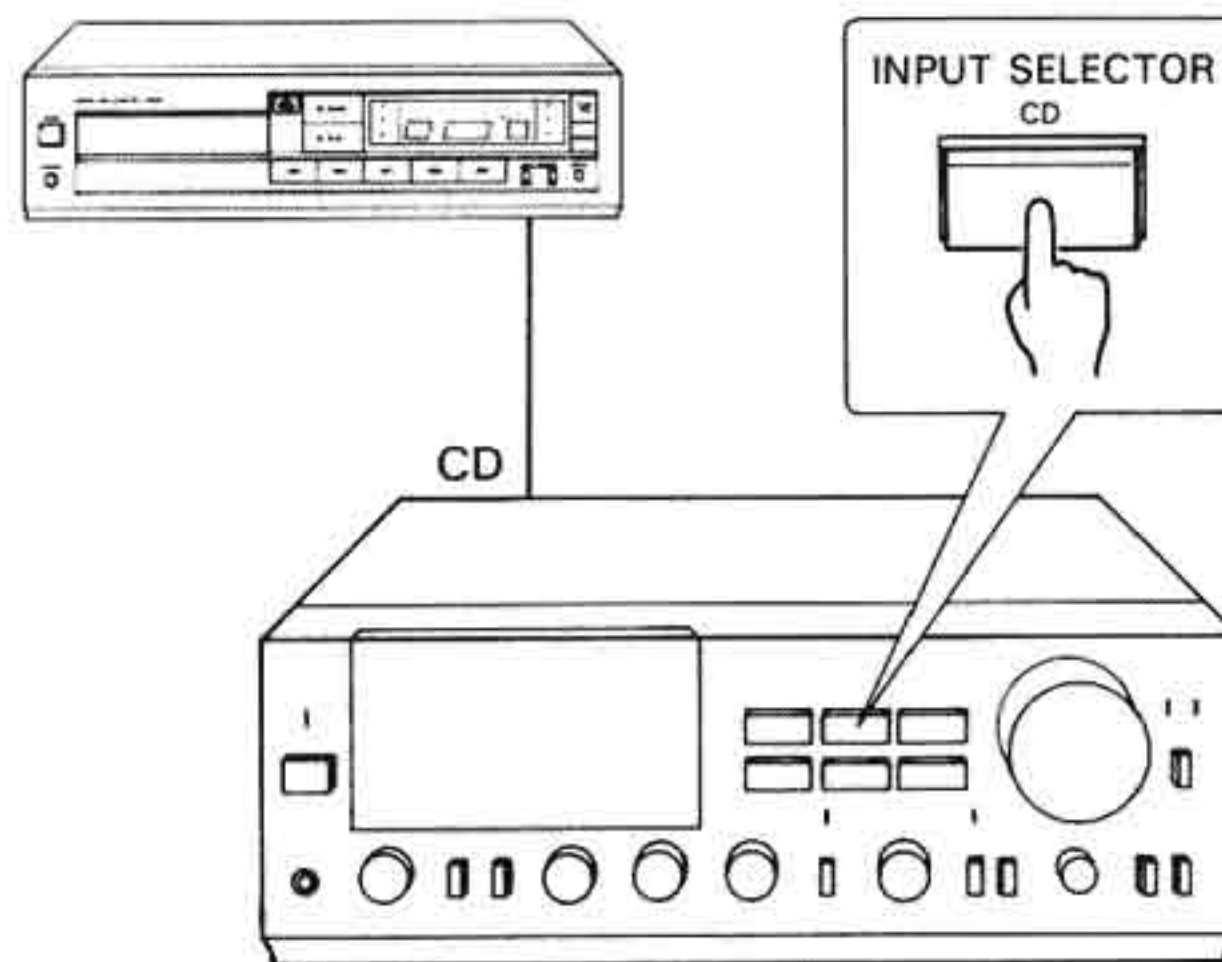
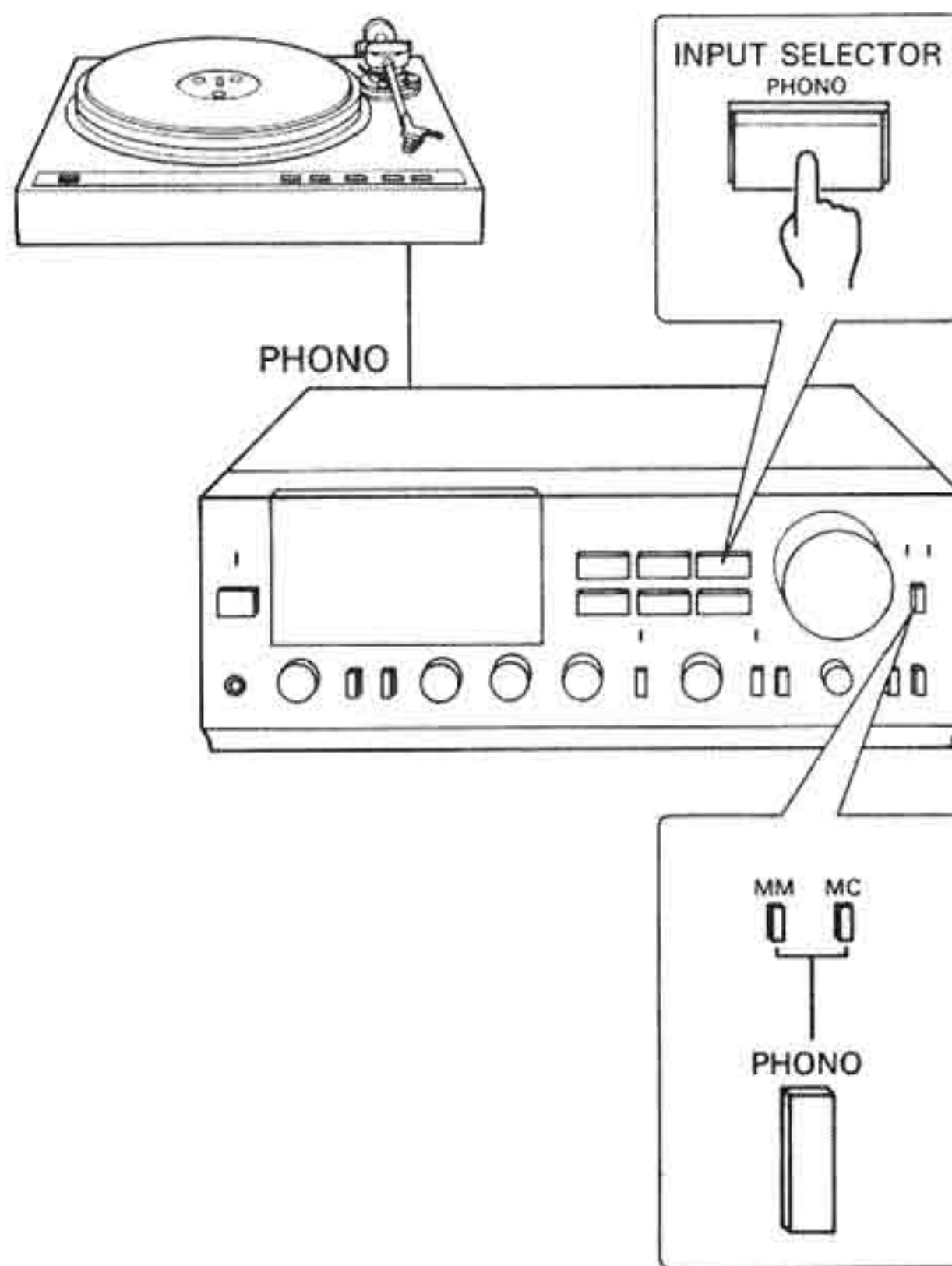
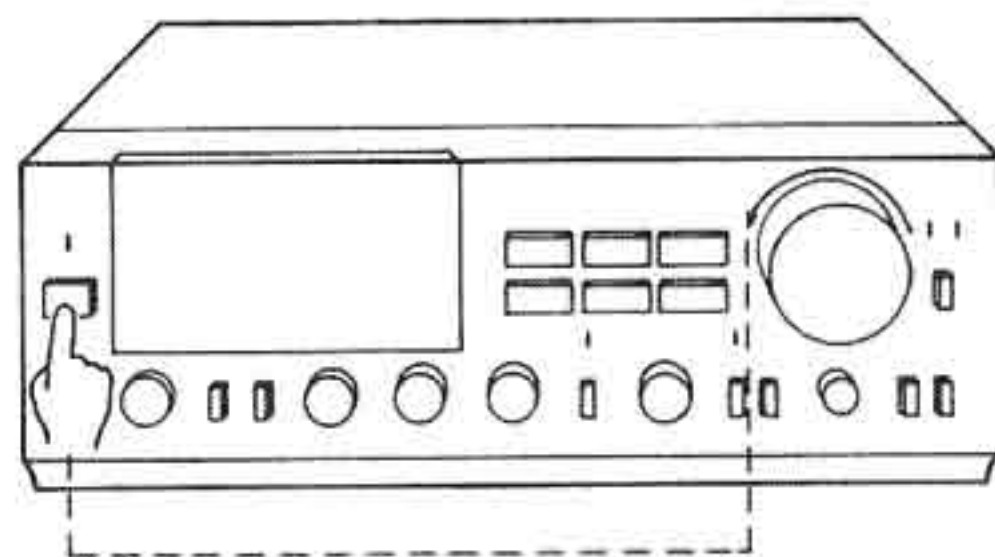
1. Select the speakers you intend to use with the **SPEAKERS** switch. If you intend to listen to the sound through your headphones, plug them into the **PHONES** jack.
2. Depress the **INPUT SELECTOR** switch in accordance with the program source to which you wish to listen.
Record: Depress the **PHONO** switch, and set the **PHONO (MM.MC)** switch in accordance with the cartridge of your turntable.
Compact disc: Depress the **CD** switch.
Radio broadcast: Depress the **TUNER** switch.
Tape: Depending on the tape deck used, depress either the **TAPE-1** or **TAPE-2/PCM** switch.
AUX: Depress the **AUX** switch.
3. Operate the program source unit.
4. Adjust the sound with the **VOLUME** control. The **MUTING** switch is handy for reducing the volume temporarily.
5. Attain a balance between the sound of the left and right channels using the **BALANCE** control.
6. To adjust the tone quality, depress the **TONE** switch, and then adjust the **BASS**, **MID.RANGE** and **TREBLE** control after the **TONE** indicator has lighted.

Record play

1. Depress the **INPUT SELECTOR PHONO** switch.
2. Set the **PHONO** switch to **MM** or **MC**.
* Set to **MC** if the output voltage of the used cartridge is low (less than 1 mV); set to **MM** if the voltage is high (more than 1 mV).
3. Operate the turntable and play the record.
4. Adjust the volume, balance and tone to your preference.

Compact disc playback

1. Depress the **INPUT SELECTOR CD** switch.
2. Operate the compact disc player to playback the compact disc.
3. Adjust the volume, balance, and tone to your preference.



Listening to radio broadcasts

1. Depress the INPUT SELECTOR TUNER switch.
 2. Operate the tuner and tune in the desired station.
 3. Adjust the volume, balance and tone to your preference.
- * Weak FM signals are often disturbed by ignition noise from nearby automobiles and other noise. Therefore, for better FM reception, installation of an outdoor FM antenna is suggested. For antenna connection, be sure to use a coaxial cable, not a twin lead type.

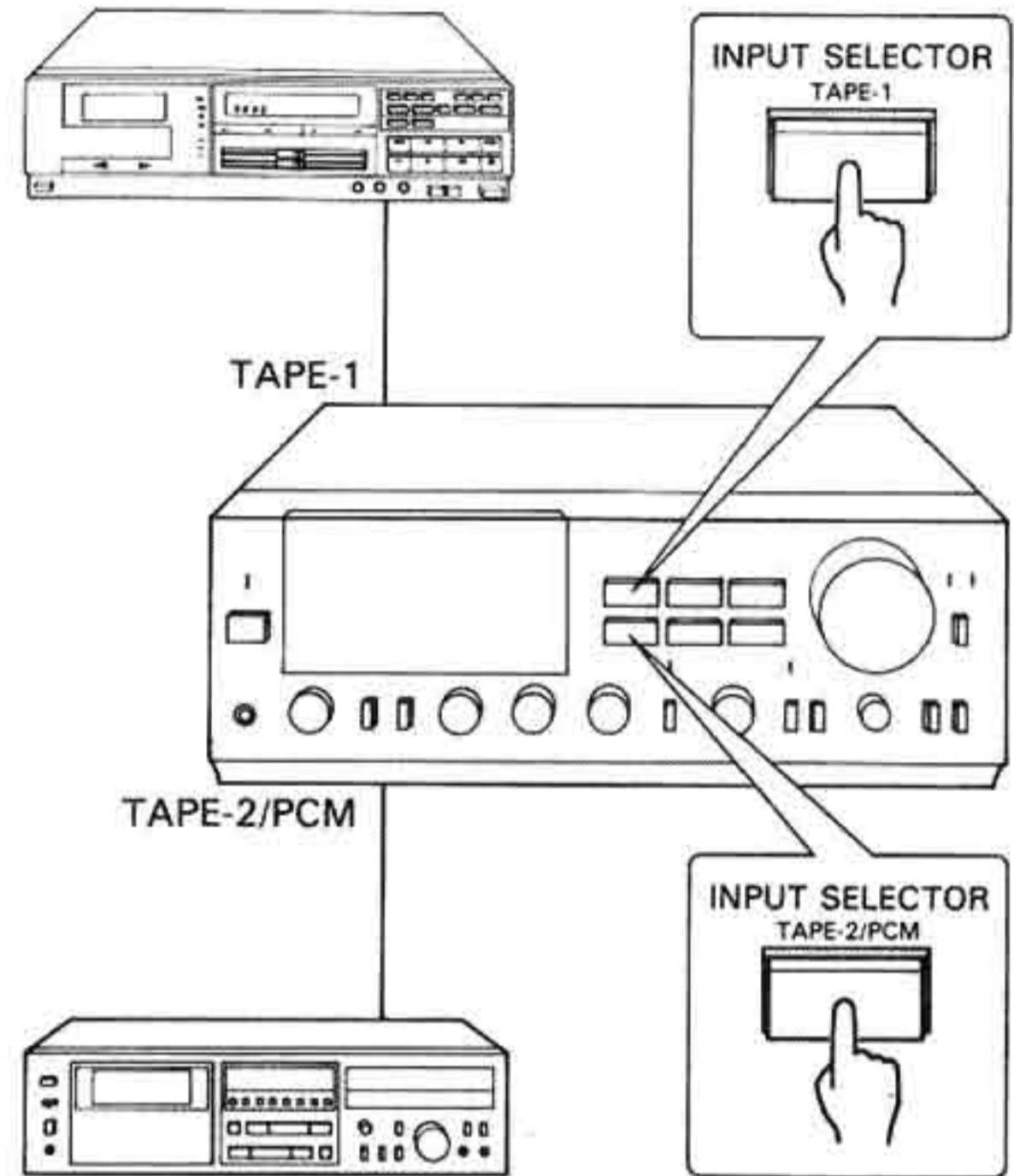
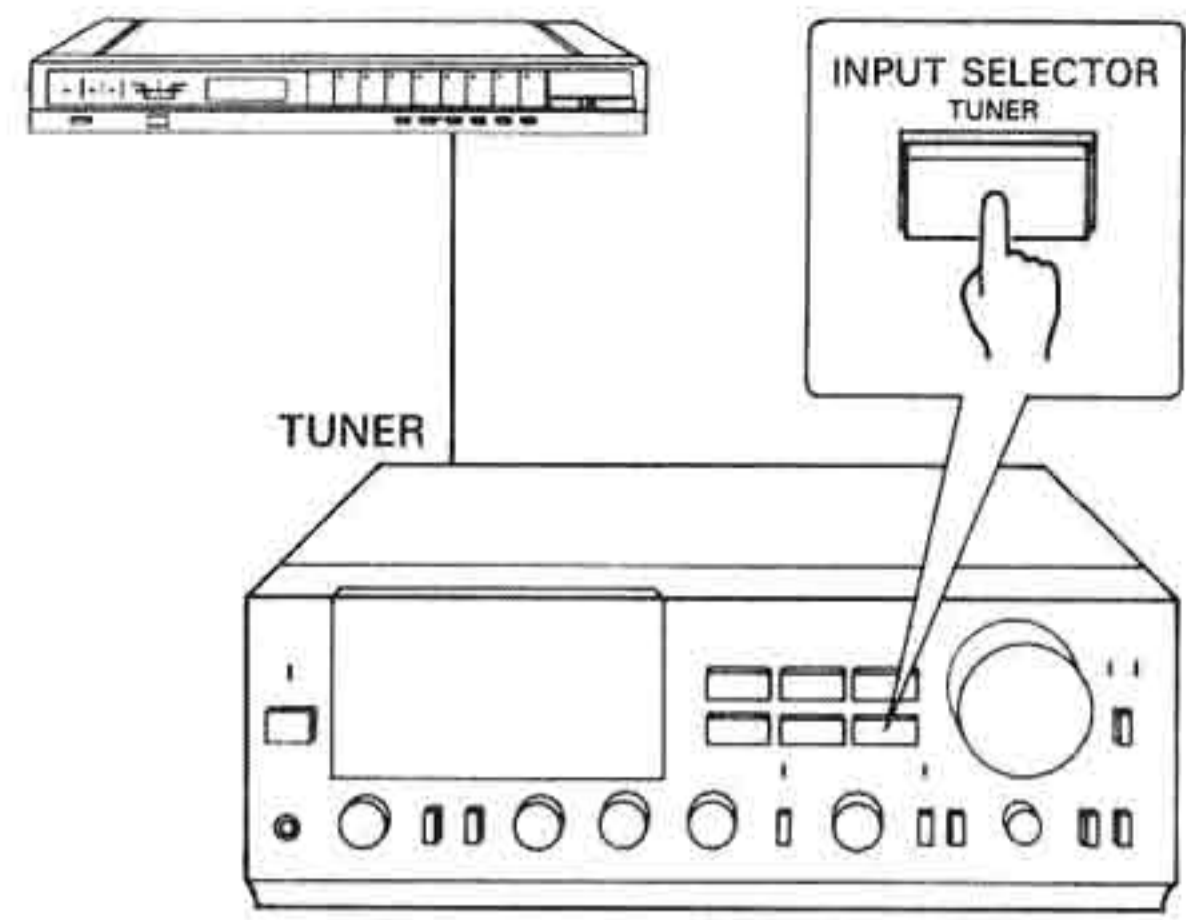
Tape playback

1. Depress the INPUT SELECTOR TAPE-1 or TAPE-2/PCM switch.
- * Depress the TAPE-1 switch when the tape deck has been connected to the TAPE-1 terminals; depress the TAPE-2/PCM switch when it has been connected to the TAPE-2/PCM terminals.
2. Operate the tape deck and play back the tape.
 3. Adjust the volume, balance and tone to your preference.
- * If your tape deck is used for a prolonged period of time, the sound quality will be impaired by dirt on the surface of the heads and capstan, etc.
- For optimum tape play, refer to the Operating Instructions of your tape deck and clean the head section regularly.

Tape recording

A record, broadcast or other program source can be recorded on the tape deck connected to the TAPE REC terminals.

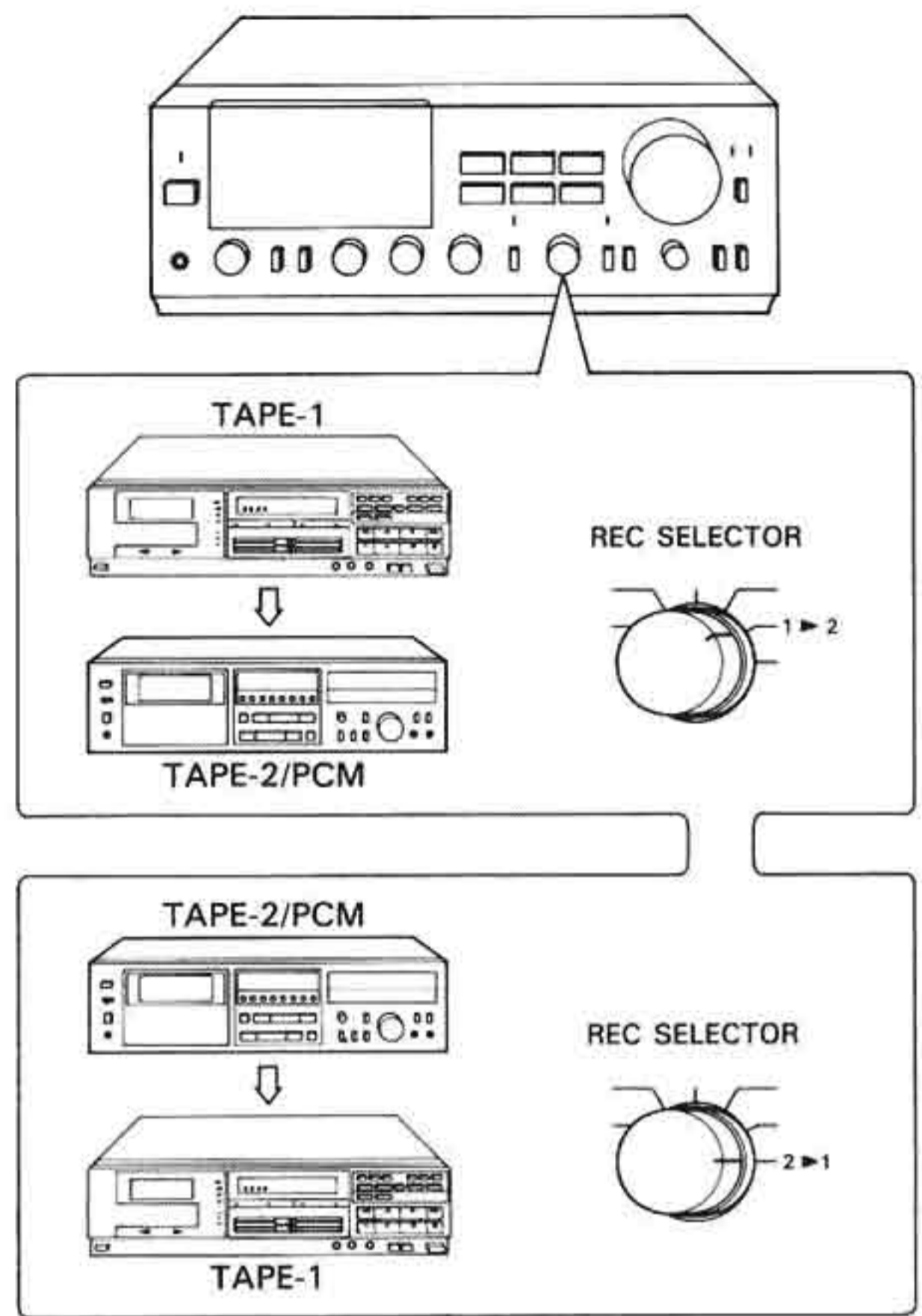
1. Set the REC SELECTOR switch to the position corresponding to the program source which is to be recorded.
 2. Depress the appropriate INPUT SELECTOR switch to select to the program source you want to record.
 3. Start playing the program source.
 4. Operate the tape deck, adjust the recording level and start recording.
- * The volume and the tone of the signals to be recorded cannot be adjusted using the VOLUME and tone controls.
- * The functions of the REC SELECTOR switch and INPUT SELECTOR switch are independent. It is therefore possible to set the INPUT SELECTOR switch to another position during recording and listen to an alternative program source.



Dubbing from tape to tape

Two tape decks can be used to dub the contents of a pre-recorded tape onto another tape.

1. Set the REC SELECTOR switch to the 1 ► 2 or 2 ► 1 position.
 - * Set to 1 ► 2 when dubbing from tape deck 1 to tape deck 2; set to 2 ► 1 when dubbing from tape deck 2 to deck 1.
2. Operate the playback and recording tape decks and start recording.
 - * It is possible to listen to another program source during tape dubbing through the speakers. In this case, depress the appropriate INPUT SELECTOR switch to the program source you want to hear.
 - * To check the sound during tape dubbing, depress the TAPE-1 or TAPE-2/PCM switch.



Specifications

Power output

Min. RMS, both channels driven, from 20 to 20,000 Hz, with no more than 0.003% total harmonic distortion.

160 watts per channel into 8 ohms.

Load impedance 8 ohms

Total harmonic distortion less than 0.003% at or below rated min. RMS power output

Intermodulation distortion (60 Hz: 7 kHz = 4:1 SMPTE method) less than 0.003% at rated power output

Frequency response (at 1 watt)

Overall (from AUX, CD, TUNER, TAPE PLAY-1, 2) DC to 200,000 Hz, +0 dB -3.0 dB

RIAA curve deviation (PHONO-MM, 20 Hz to 20 kHz)

..... +0.2 dB, -0.2 dB

Input sensitivity and impedance (at 1 kHz)

PHONO (MC) 250 μ V/100 ohms
(Max. input capability: 20 mV at 1 kHz, less than 0.01% total harmonic distortion)

PHONO (MM) 2.5 mV/47 kohms
(Max. input capability; 200 mV at 1 kHz, less than 0.01% total harmonic distortion)

CD, AUX 150 mV/47 kohms

TUNER, TAPE PLAY-1, 2 150 mV/47 kohms

Output level (1,000 Hz)

TAPE REC-1, 2 150 mV into 47 kohms

Signal to noise ratio (short-circuit, A-network)

PHONO (MC) 70 dB
PHONO (MM) 88 dB
CD, AUX 110 dB
TUNER, TAPE PLAY-1, 2 110 dB

Controls and Filter

BASS \pm 10 dB at 50 Hz
MID RANGE \pm 10 dB at 1 kHz
TREBLE \pm 10 dB at 10 kHz
MUTING -20 dB
LOUDNESS +8 dB at 50 Hz
(VOLUME: -30 dB position) +6 dB at 10 kHz

FILTERS

LOW -3 dB at 16 Hz (6 dB/oct)
HIGH -3 dB at 10 kHz (6 dB/oct)

Power requirements

Power voltage 120/220/240V (50/60 Hz)
For U.S.A. & Canada 120V (60 Hz)
Power consumption 530 watts 640 VA Rated
530 watts Maximum

Dimensions 430 mm (16-15/16") W
160 mm (6-5/16") H
430 mm (16-15/16") D

Weight 17.3 kg (38 lbs) net
19 kg (41.9 lbs) packed

* Design and specifications subject to changes without notice for improvements.

* Due to local laws and regulations, this unit sold in some areas are not equipped with variable voltage selectors.

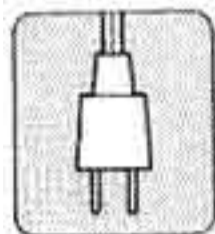
Nous sommes reconnaissants pour votre choix de ce produit SANSUI d'une haute fidélité remarquable. Avant de commencer à vous en servir, nous vous recommandons de lire cette notice complètement et soigneusement, vous familiarisant ainsi avec les précautions importantes, les manœuvres de fonctionnement et chacune des nombreuses caractéristiques de l'appareil.

Cela vous aidera à ne pas provoquer d'éventuels dommages et vous permettra de profiter pendant de longues années des superbes performances de votre appareil.

* Pour simplifier les explications, les illustrations peuvent quelquefois être différentes des originaux.

Précautions

* Garder à l'esprit les points suivants.



Fiche d'alimentation

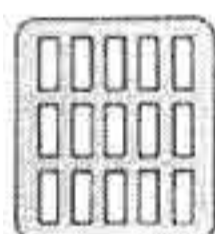
Lorsqu'on déconnecte le cordon d'alimentation de la prise secteur, toujours le tenir par sa fiche et non par le cordon, puis tirer. Ne jamais connecter ou déconnecter la fiche d'alimentation avec des mains mouillées car on risque de s'électrocuter.

* Ne pas oublier de déconnecter la fiche d'alimentation de la prise secteur quand on ne prévoit pas d'utiliser l'appareil pendant une période prolongée.



Ne pas ouvrir le coffret ni retirer le panneau inférieur

Toutes vérifications ou tous réglages à l'intérieur de l'appareil peuvent entraîner un fonctionnement défectueux ou causer des chocs électriques. Ne toucher aucune des pièces à l'intérieur. SANSUI ne garantit pas l'altération des performances de l'appareil si les pièces internes ont été touchées.



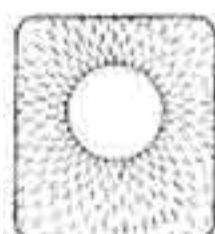
Ne pas bloquer les orifices de ventilation

Ne pas bloquer les orifices de ventilation qui se trouvent sur le dessus de l'appareil en y posant des disques ou autres objets. Ceci ferait monter la température interne de l'appareil ce qui pourrait entraîner une panne ou un fonctionnement défectueux.



Intérieur de l'appareil

Si une épingle à cheveux, une pièce de monnaie ou tout autre objet métallique tombe à l'intérieur de l'appareil, ou si de l'eau est éclaboussée sur l'appareil, débrancher immédiatement la fiche d'alimentation de la prise et prendre contact avec son revendeur ou avec le concessionnaire SANSUI. Si l'on continue à faire fonctionner l'appareil, il peut en résulter une panne ou un choc électrique.



Précautions d'installation

Ne pas installer l'appareil dans les endroits suivants. Il pourrait en résulter une altération des performances ou un fonctionnement défectueux:

- * Endroits exposés directement au soleil ou à proximité d'objets dégagant de la chaleur comme les appareils de chauffage par exemple.
- * Endroits exposés à l'humidité.
- * Endroits instables et imparfaitement plats ou susceptibles de recevoir des vibrations.
- * Endroits mal aérés exposés à la poussière et à la saleté.
- * Au dessus d'un amplificateur dont la sortie de puissance est élevée, de composants audio renfermant ou tout autre appareil dégagant de la chaleur.



Ne pas essuyer avec des amincisseurs

Essuyer les panneaux et le coffret de temps en temps avec un chiffon doux. Le fait d'utiliser un amincisseur, un liquide à base d'alcool ou volatile abîme les surfaces, engendre des taches sur l'extérieur et efface les inscriptions. Il convient donc d'éviter ces produits.

Ne pas utiliser de bombes insecticides à proximité de l'appareil.

Alimentation

Au sortir de nos usines, la tension de cet appareil a été réglée à la valeur en vigueur dans la région de destination.

Si l'appareil doit être utilisé dans une région alimentée sur une tension différente, consulter le dépositaire SANSUI agréé le plus proche.



Le symbole à flèche brisée dans un triangle équilatéral a pour but d'attirer l'attention de l'utilisateur sur la présence, à l'intérieur du coffret, d'une "tension dangereuse" non isolée qui est d'une importance suffisante pour constituer un risque de décharge électrique pour les êtres humains.



Le point d'exclamation dans un triangle équilatéral a pour but de signaler à l'utilisateur la présence d'explications importantes, relatives à l'exploitation et à l'entretien, dans le texte accompagnant l'appareil.

Pour le Royaume Uni seulement

Important

Les fils de cette ligne de secteur sont colorés en fonction du code suivant:

Bleu: Neutre
Marron: Sous-tension

Si la couleur des fils du câble secteur de cet appareil ne correspond pas aux repères de couleur qui permettent d'identifier les bornes de la prise, procéder de la façon suivante:

Le fil coloré en **bleu** doit être relié à la borne qui porte le repère "N" ou qui est colorée en noir.

Le fil coloré en **marron** doit être relié à la borne qui porte le repère "L" ou qui est colorée en rouge.

Bien vérifier que l'appareil est relié correctement. En cas de doute, consulter un électricien qualifié.

Pour les appareils qui ont été achetés en dehors du Royaume-Uni et qui sont dotés d'une fiche de câble secteur à deux broches marquée "EUROPEAN", il faudra retirer la fiche et effectuer les branchements en suivant les instructions données ci-dessus. S'assurer également que l'appareil est correctement réglé pour fonctionner sur un courant de 240 volts. En cas de doute, consulter un électricien qualifié ou l'un de nos centres de réparation au Royaume-Uni.

L'appareil dégage la chaleur de la façon la plus efficace lorsqu'il est installé sur une surface plane. Ne pas le mettre debout ou en pente.

Connexions

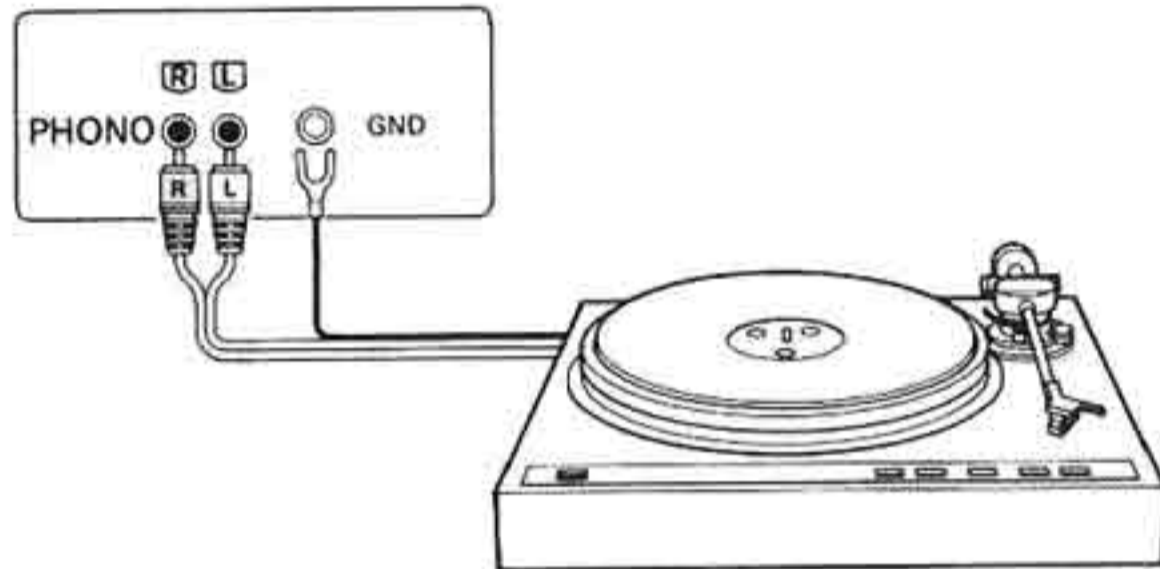
Au cours de la lecture des explications suivantes, consulter le schéma de branchement en page 3.

Précautions à prendre pour les connexions

- * Lorsqu'on effectue les connexions, déconnecter la fiche d'alimentation de la prise d'alimentation, ou bien mettre l'appareil sous tension à l'aide de l'interrupteur d'alimentation (POWER).
- * Avant d'effectuer les connexions, lire jusqu'au bout le mode d'emploi des autres composants audio qui seront connectés à cet appareil.
- * Repérer les canaux de gauche et de droite et les connecter correctement (L à L et R à R).
- * Introduire les fiches à fond. Des connexions imparfaites peuvent engendrer des parasites.

Table de lecture

Connecter la fiche L (blanche) du cordon de sortie de la table de lecture à la borne PHONO L, et la fiche R (rouge) à la borne R. Quand votre table de lecture est muni d'un câble de Mise à la terre, raccorder le sur le borne GND de l'appareil. Mais deconnectez le si vous remarquez une augmentation anormale du ronflement.

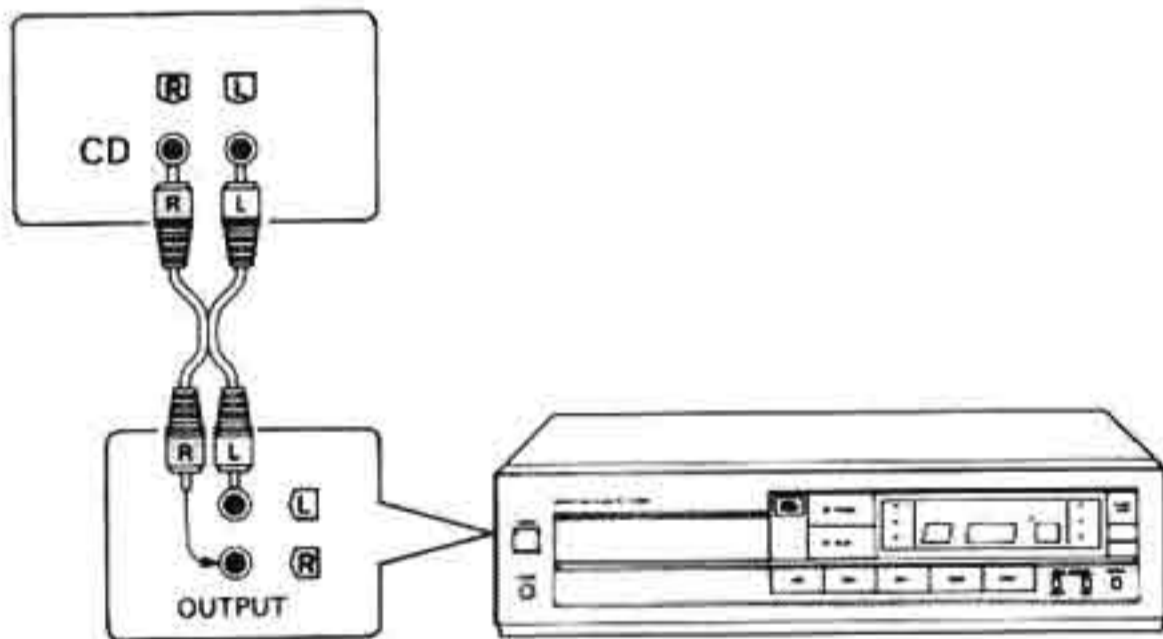


Lecteur de disque compact

Lorsqu'on utilise un lecteur de disque compact (SANSUI PC-V1000, etc.), le relier aux bornes CD.

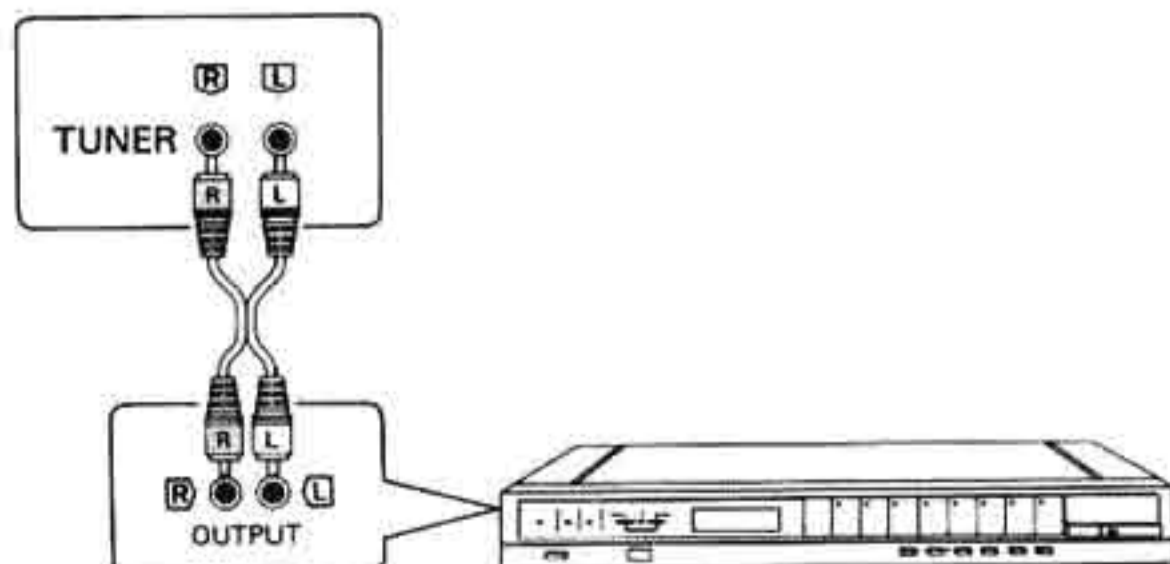
Relier les bornes CD aux bornes de sortie du lecteur de disque compact à l'aide du cordon à fiche en broche.

- * Les bornes CD ont les mêmes spécifications électriques que les bornes TUNER et TAPE PLAY.



Tuner

Connecter les bornes TUNER aux bornes de sortie (OUTPUT) du tuner à l'aide du cordon à fiche en broche.

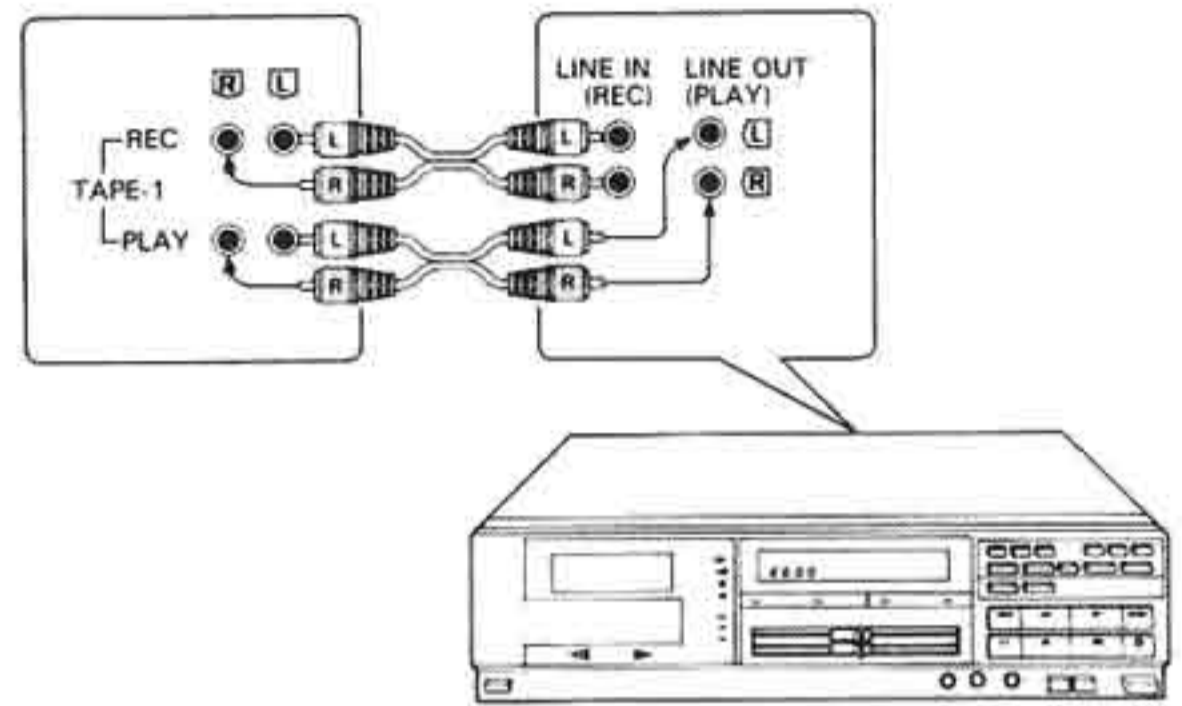


Magnétophone

Lorsqu'on n'utilise qu'un magnétophone, le relier aux bornes TAPE-1. Le deuxième magnétophone pourra être relié aux bornes TAPE-2/PCM, ce qui permet d'effectuer des enregistrements ou des copiages de bande simultanés.

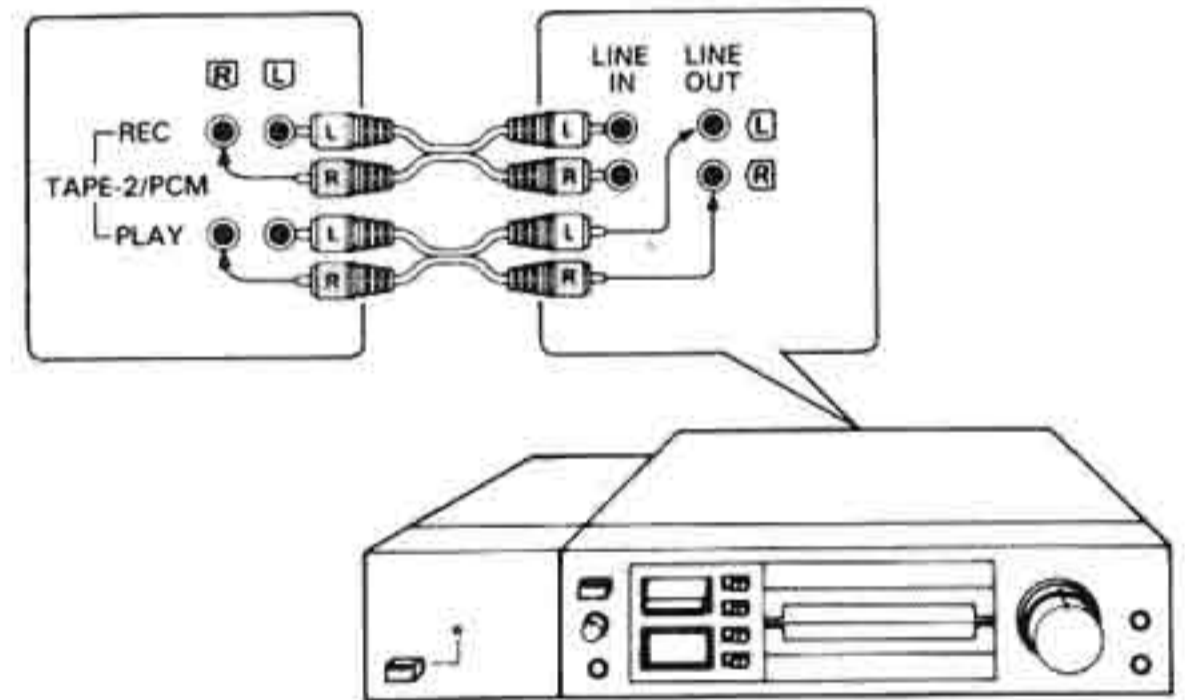
Connexions d'enregistrement: Connecter les bornes d'enregistrement de bande (REC) aux bornes d'entrée d'enregistrement (LINE IN) du magnétophone à l'aide du cordon à fiche en broche.

Connexions de lecture: Connecter les bornes de lecture de bande (PLAY) aux bornes de sortie de lecture (LINE OUT) du magnétophone à l'aide du cordon à fiche en broche.



Processeur audio PCM

Lorsqu'on utilise un processeur audio PCM (SANSUI PC-X1, etc.), le relier aux bornes TAPE-2/PCM. Relier les bornes TAPE-2/PCM REC de l'appareil aux bornes LINE IN du processeur audio PCM à l'aide du cordon à fiche en broche, et, à l'aide d'un autre cordon semblable, relier les bornes TAPE-2/PCM PLAY de l'appareil aux bornes LINE OUT du processeur audio PCM.



Bornes auxiliaires (AUX)

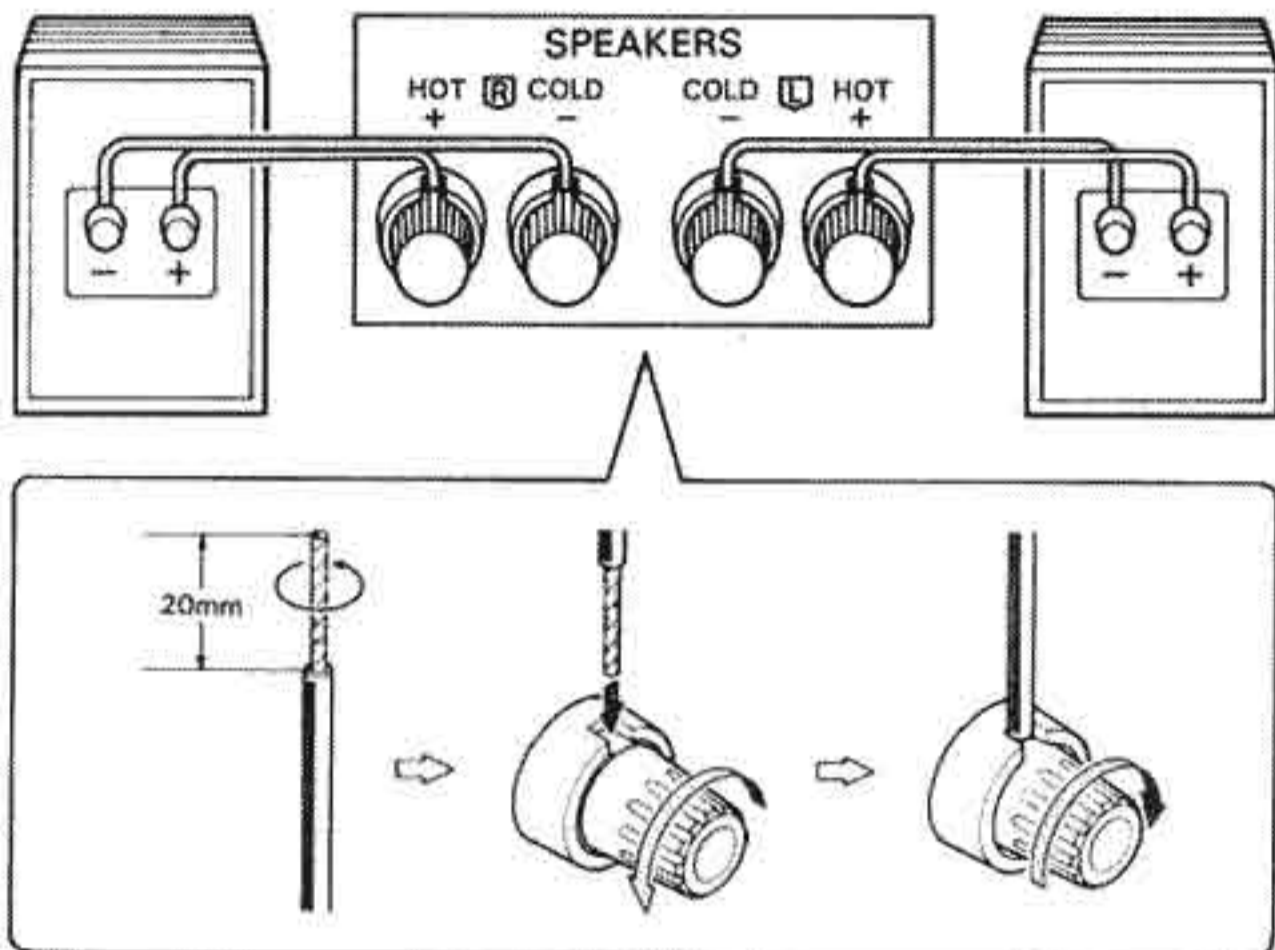
Les bornes d'entrée auxiliaires (AUX) ont les mêmes performances électriques que les bornes de tuner ou de bande. Les utiliser pour connecter un deuxième tuner stéréo ou un lecteur de cassette. Connecter les bornes AUX aux bornes de sortie (OUTPUT) du composant à l'aide du cordon à fiche en broche.

Enceintes

L'appareil dispose de deux jeux de bornes pour relier les enceintes, les bornes SYSTEM-A et SYSTEM-B. Lorsqu'on n'utilise qu'une paire d'enceintes, la relier aux bornes SYSTEM-A.

Connecter les bornes d'enceinte (+) aux bornes rouges (+) du système d'enceintes et les bornes d'enceinte (-) aux bornes noires (-). Si les polarités ne sont pas respectées, le son des instruments ne paraîtra pas stable, le son émanant du centre paraîtra insuffisant et on n'obtiendra pas un véritable effet stéréo.

- * Lorsqu'on effectue les connexions, la partie dénudée du conducteur des cordons d'enceinte ne doit pas dépasser des bornes ni entrer en contact avec d'autres bornes.
- * Etant donné que l'étage de sortie de cet appareil adopte une forme en pont, les bornes négatives (-) des enceintes (SPEAKERS) devront être raccordées en commun; de même, elles ne doivent pas être raccordées à la borne de terre (GND) des autres composants.



A propos de l'impédance des enceintes

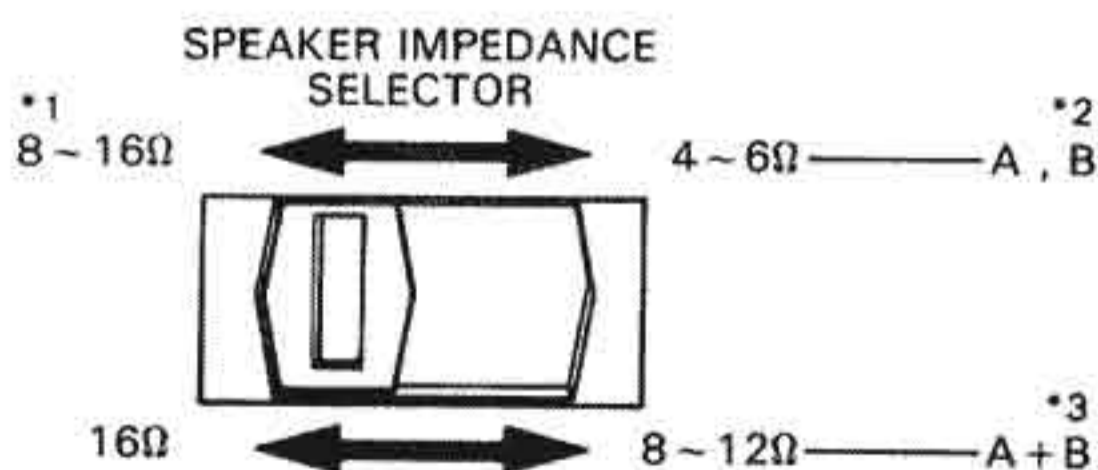
Lorsque les deux paires d'enceintes reliées aux bornes SYSTEM-A et SYSTEM-B fonctionnent séparément, leur impédance nominale peut aller de 4 à 16 ohms; mais si les deux paires d'enceintes fonctionnent en même temps (A + B), l'impédance nominale des deux paires d'enceintes devra être égale ou supérieure à 8 ohms. Si l'une seulement des deux paires d'enceintes a une impédance nominale inférieure à 8 ohms, le circuit de protection risque de se déclencher pendant la lecture, ou un mauvais fonctionnement de se produire.

Sélecteur d'impédance des enceintes (SPEAKER IMPEDANCE SELECTOR)

Ce sélecteur, qui est situé sur le panneau arrière, doit être réglé en fonction de l'impédance nominale des enceintes reliées à l'appareil.

- * L'impédance nominale des enceintes est indiquée sur le coffret ou dans le mode d'emploi des enceintes.

Si ce sélecteur n'est pas réglé correctement, on n'obtiendra pas la puissance de sortie maximale des enceintes, ou bien elles chaufferont excessivement.



*1: Impédance nominale des enceintes.

*2: Lorsqu'on utilise une seule paire d'enceintes, reliées aux bornes SPEAKERS SYSTEM-A ou -B.

*3: Lorsqu'on utilise deux paires d'enceintes, reliées aux bornes SPEAKERS SYSTEM-A et -B.

Prises CA

Cet appareil est équipé de prises CA auxiliaires qui sont pratiques, lorsque l'on veut brancher un tuner, un magnétophone ou une table de lecture; pour leur fournir l'alimentation électrique.

SWITCHED (capacité de 100 W): Les composants reliés à l'appareil sont sous tension ou hors tension lorsque l'on actionne l'interrupteur POWER de l'appareil.

UNSWITCHED (capacité totale de 250 W): L'alimentation est fournie aux divers éléments reliés quelle que soit la position sur laquelle se trouve l'interrupteur POWER de l'appareil.

Il est extrêmement dangereux de brancher un appareil électrique dont la consommation de puissance dépasse la capacité spécifiée. Avant de brancher l'appareil ou le composant, vérifier l'indice de sa consommation de puissance.

- * Une tension élevée circule aux prises CA. Il ne faut donc introduire ni aiguilles à cheveux ni aucun autre objet métallique dans l'appareil car cela provoquerait un choc électrique. Il ne faut pas laisser les enfants jouer.

REMARQUE: En raison des lois et règlements en vigueur dans certaines régions, il peut arriver que des modèles ne soient pas équipés de prises d'alimentation en courant alternatif. De même, la forme et capacité de ces prises varient également d'après les régions où les appareils sont mis en vente.

IMPORTANT

Avant de brancher la fiche d'alimentation dans la prise secteur

La tension de cet appareil a été réglée en fonction de sa région de destination sur secteur de 120, 220 ou 240 Volts. D'après les lois et règlements de la région de vente, certains appareils doivent être réglés uniquement sur 120V, tandis que d'autres peuvent fonctionner sur diverses tensions, choisies par le sélecteur de tension (VOLTAGE SELECTOR). Avant de brancher l'appareil, vérifier, comme expliqué ci-dessous, la compatibilité du réglage du sélecteur et de la tension du secteur de la région. Le fait de brancher l'appareil sur une source du secteur d'une tension excessive pourrait occasionner une panne, voire un incendie.

Appareils non équipés d'un sélecteur de tension

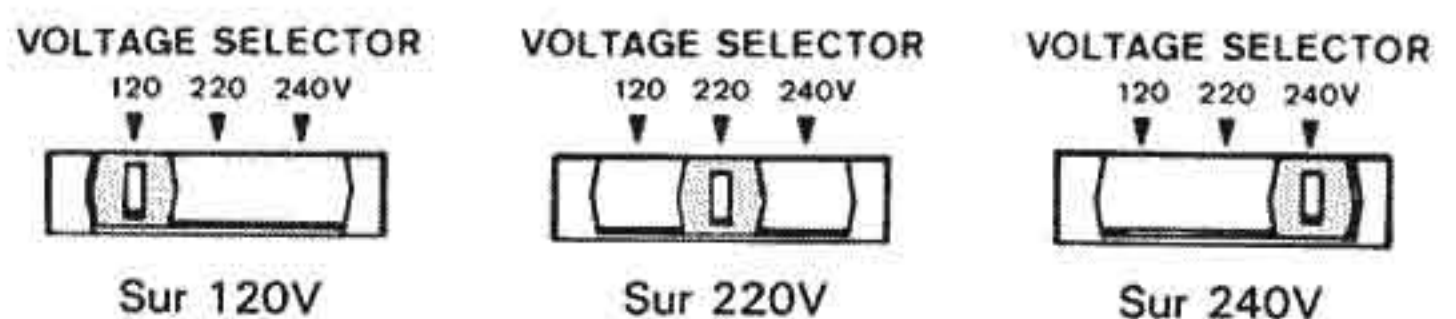
Les appareils, destinés à s'alimenter uniquement sur une tension secteur de 120V ne possèdent pas de sélecteur de tension sur leur panneau arrière. Par conséquent, ils ne peuvent pas être utilisés dans une région où la tension est autre que 120V. Si l'on désire utiliser cet appareil sur une autre tension, prière de s'adresser à un centre de service ou à magasin de détail.

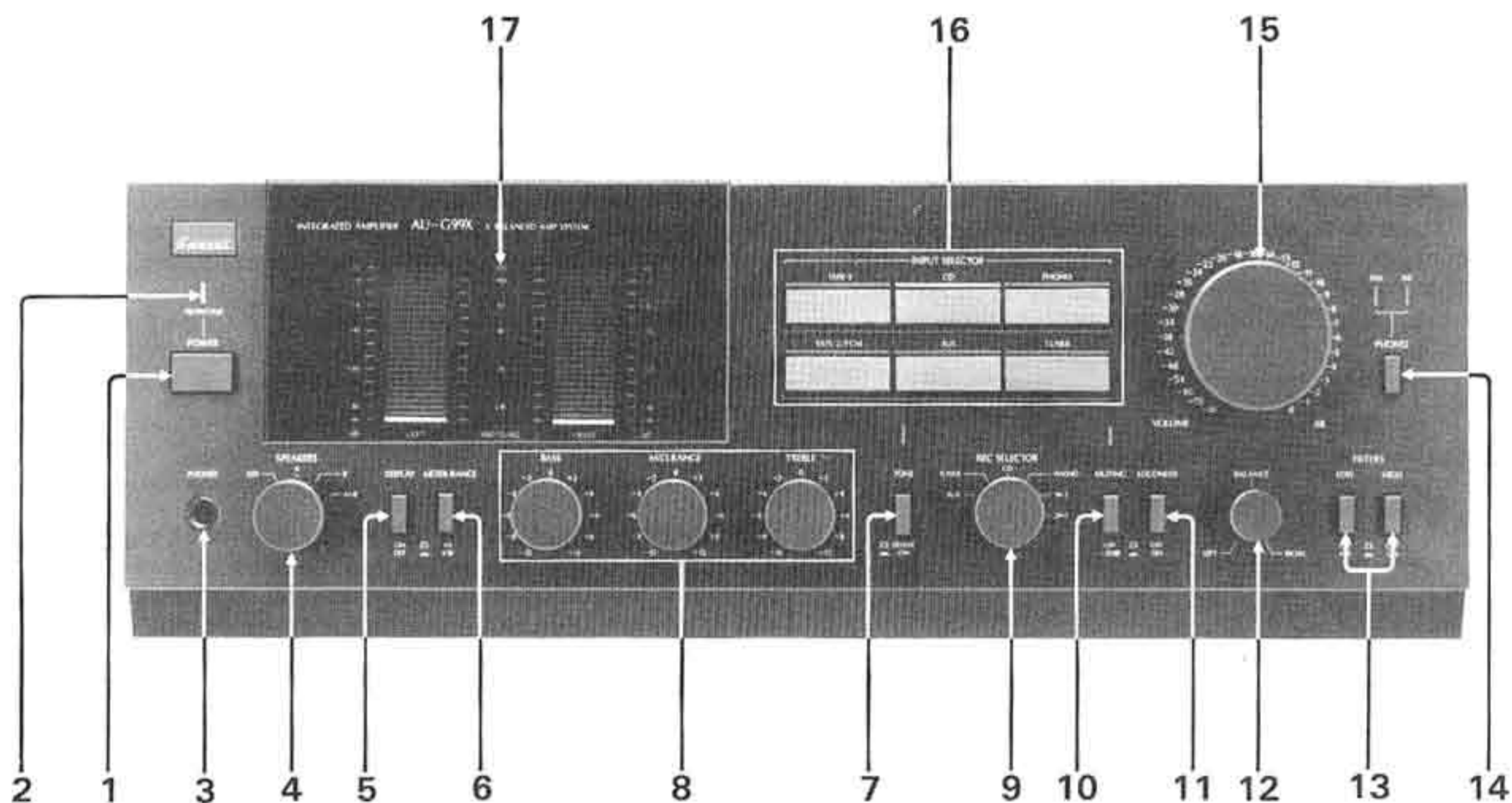
Appareils équipés d'un sélecteur de tension (VOLTAGE SELECTOR)

Les appareils disposant d'un sélecteur de tension ont fait l'objet d'un réglage en fonction de leur région de destination particulière, mais l'on devra toujours vérifier la compatibilité du réglage de ce sélecteur avec la tension en vigueur dans la région d'utilisation avant de brancher la fiche d'alimentation. Si la tension de l'appareil et du secteur ne correspondent pas, régler l'appareil à la tension appropriée à l'aide du sélecteur (VOLTAGE SELECTOR) en procédant comme suit.

- * Appareils dotés d'un sélecteur de tension 120V/220V/240V (120V/220V/240V VOLTAGE SELECTOR) sur le panneau arrière

Ces appareils sont réglés sur 120V, 220V ou 240V à l'aide du sélecteur de tension du panneau arrière. Changer le réglage de la tension en se servant d'un tournevis à lame ou d'un objet analogue.





1 Interrupteur d'alimentation (POWER)

2 Témoin protecteur (PROTECTOR)

L'alimentation est fournie à l'amplificateur lorsque cet interrupteur est enfoncé et que le témoin clignote. Au bout de quelques secondes, le témoin cesse de clignoter, et il s'allume pour indiquer que l'amplificateur est désormais totalement opérationnel. L'alimentation est coupée lorsque cet interrupteur est libéré.

* Aucun son ne parvient à travers les enceintes pendant que le témoin clignote. Si le témoin se met à clignoter pendant le fonctionnement, ceci veut dire que le circuit de protection incorporé a été mis en marche à cause d'un mauvais fonctionnement dans l'amplificateur.

3 Prise d'écouteurs (PHONES)

Cette prise sert pour les écouteurs. Y connecter la fiche des écouteurs stéréo pour une écoute en privé. Régler le volume à un niveau qui ne présente aucun danger pour les tympans lorsqu'on utilise les écouteurs.

* Si l'on n'a pas l'intention d'utiliser les écouteurs, toujours s'assurer qu'ils sont bien débranchés.

4 Commutateur d'enceintes (SPEAKERS)

Le commutateur SPEAKERS permet de choisir les enceintes ou plusieurs devant servir.

OFF: Pour couper la source des enceintes en écoutant à l'aide du casque écouteur.

A: Pour alimenter les enceintes connectées aux bornes SPEAKERS SYSTEM-A.

B: Pour alimenter celles connectées aux bornes SYSTEM-B.

A + B: Pour alimenter les deux d'enceintes A et B.

* Régler le sélecteur d'impédance des enceintes (SPEAKER IMPEDANCE SELECTOR) prévu sur le panneau arrière de l'appareil en fonction de l'impédance nominale des enceintes utilisées. Faire particulièrement attention lorsqu'on utilise les positions d'enceinte "A + B".

5 Interrupteur d'affichage (DISPLAY)

Cet interrupteur fait apparaître ou disparaître l'indication de la puissance de sortie sur l'affichage de puissance de crête. Pour y contrôler la puissance de sortie, il doit se trouver à la position ON.

6 Sélecteur de plage de compteur (METER RANGE)

Cet interrupteur METER RANGE permet de choisir entre deux niveaux; on choisira la position qui fournit l'affichage le plus facile du point de vue de l'observation de la puissance de sortie.

7 Commutateur de tonalité (TONE)

Lorsque ce commutateur est enfoncé alors que l'on tourne les commandes de tonalité pour procéder au réglage de la qualité du son, le témoin s'allume pour indiquer que le son peut être réglé.

8 Réglages de tonalité (TONE)

La qualité du son peut être ajustée en agissant sur ces boutons lorsque le témoin est allumé.

Lorsque le réglage BASS est tourné de la position "0" vers la droite, les basses fréquences sont accentuées et elles sont atténuées par une rotation vers la gauche.

Lorsque le réglage MID RANGE est tourné de la position "0" vers la droite, le spectre du médium est accentué, tandis qu'il est atténué par une rotation vers la gauche. Lorsque le réglage TREBLE est tourné de la position "0" vers la droite, les hautes fréquences sont accentuées et elles sont atténuées par une rotation vers la gauche.

• Les réglages de tonalité sont sans effet lorsque le témoin de tonalité est éteint.

9 Sélecteur d'enregistrement (REC SELECTOR)

Cette commande permet de choisir la source de programme lors de l'enregistrement d'une bande. Elle permet d'effectuer un enregistrement indépendamment du réglage des sélecteurs INPUT SELECTOR.

AUX: Pour l'enregistrement de signaux émanant du composant relié aux bornes AUX.

TUNER: Pour l'enregistrement d'émissions de radio sur le tuner relié aux bornes TUNER.

CD: Pour l'enregistrement de signaux émanant du lecteur de disque compact relié aux bornes CD.

PHONO: Pour l'enregistrement de programmes émanant de la table de lecture reliée aux bornes PHONO.

1 ► 2: Pour effectuer un enregistrement du magnétophone relié aux bornes TAPE-1 sur celui relié aux bornes TAPE-2/PCM.

2 ► 1: Pour effectuer un enregistrement du magnétophone relié aux bornes TAPE-2/PCM sur celui relié aux bornes TAPE-1.

10 Commutateur d'atténuation (MUTING)

Ce commutateur diminue le volume de 20 dB. L'enfoncer lorsque l'on veut réduire le volume temporairement; le témoin s'allume et le son est atténué. Lorsque ce commutateur est relâché, le témoin s'éteint et le son retrouve sa force originelle. Se souvenir que le son augmente au moindre mouvement de ce commutateur.

11 Interrupteur de correction physiologique (LOUDNESS)

L'oreille humaine est ainsi constituée qu'elle ne perçoit ou perçoit mal la réponse des graves, intermédiaire et des aiguës lorsque le niveau de volume est faible.

A faible volume, le son semble n'avoir que peu de consistance alors que lorsque cet interrupteur de correction physiologique (LOUDNESS) est enfoncé sur la position ON, graves, intermédiaire et les aiguës sont renforcées, ce qui donne un effet plus équilibré. La réponse de fréquence est plate lorsque cet interrupteur se trouve sur la position OFF.

12 Commande d'équilibrage (BALANCE)

Le volume des enceintes acoustiques gauche et droite peut être réglé par la commande BALANCE. Si la commande est tournée dans le sens contraire des aiguilles d'une montre à partir de sa position médiane, le son de l'enceinte acoustique gauche sera accentué par rapport à celui de l'enceinte acoustique droite, et vice-versa. Régler de façon que le son provenant des enceintes acoustiques gauche et droite soit entendu avec la même intensité depuis la position d'écoute.

13 Interrupteurs de filtres (FILTERS)

LOW: Cet interrupteur atténue les basses fréquences situées au-delà de la gamme de fréquence audible. Les parasites de très basse fréquence engendrés à la lecture de disques gondolés ou par d'autres facteurs provoquent une distorsion d'intermodulation qui affecte la qualité sonore mais celle-ci sera atténuée si l'on enfonce cet interrupteur sur la position OFF.

HIGH: Enfoncer cet interrupteur lorsque, les hautes fréquences sont coupées. Le mettre sur cette position lorsqu'il y a beaucoup de parasites dus à des disques rayés ou lorsqu'il y a des parasites de hautes fréquences au cours d'une réception AM.

* Mettre cet interrupteur sur OFF lorsqu'on n'a pas besoin de faire fonctionner le filtre.

14 Sélecteur de tension de cellule (PHONO)

Régler ce sélecteur en fonction de la tension de sortie de la cellule utilisée sur la platine tourne-disque.

Le témoin correspondant à la position utilisée s'allume.

MM: A utiliser à l'emploi d'une cellule à forte sortie (1 mV ou davantage).

MC: A utiliser à l'emploi d'une cellule à faible sortie (Moins de 1 mV).

15 Commande de VOLUME

Cette commande règle le volume des enceintes ou des écouteurs. Le son augmente si l'on tourne cette commande dans le sens des aiguilles d'une montre. Pour écouter de la musique, la régler à un niveau d'écoute agréable.

16 Sélecteurs d'entrée (INPUT SELECTOR)

Ces sélecteurs permettent de choisir la source de programme. Lorsque l'un de ces sélecteurs est enfoncé, le témoin qui se trouve situé au-dessus s'allume.

PHONO: Appuyer sur ce sélecteur pour écouter des disques sur une table de lecture reliée aux bornes PHONO.

Après avoir enfoncé ce sélecteur, régler le sélecteur de cellule (PHONO) de façon appropriée.

CD: Appuyer sur ce sélecteur pour écouter des disques sur le lecteur de disque compact relié aux bornes CD.

TUNER: Appuyer sur ce sélecteur pour écouter la radio sur le tuner relié aux bornes TUNER.

TAPE-1: Appuyer sur ce sélecteur pour lire une bande sur un magnétophone relié aux bornes TAPE-1.

TAPE-2/PCM: Appuyer sur ce sélecteur pour lire une bande sur un deuxième magnétophone, ou effectuer une lecture sur un processeur audio PCM relié aux bornes TAPE-2/PCM.

AUX: Appuyer sur ce sélecteur pour effectuer une lecture sur le composant relié aux bornes AUX.

* Lorsqu'on enclenche l'un de ces sélecteurs (un seul à la fois), veiller à l'enclencher bien à fond.

17 Affichage de puissance de crête

Comme il indique la puissance de sortie, on l'observera lors du réglage du volume. La puissance* de sortie est exprimée en watts quand on utilise des haut-parleurs d'une impédance de 8 ohms. Lorsque l'interrupteur METER RANGE est réglé à la position "× 1", la plage est la même que les valeurs indiquées. Quand il est placé à la position "× 10", la plage est réduite à un dixième de la valeur indiquée.

* Si celle-ci est différente, l'affichage ne correspondra pas à la sortie réelle et une conversion sera nécessaire pour acquérir les valeurs exactes. Pour ce faire, multipliez la valeur indiquée par 8 et divisez par la valeur de l'impédance de l'enceinte raccordée.

$$\text{Puissance indiquée (watts)} \times \frac{8}{\text{Impédance des enceintes acoustique (ohms)}} = \text{Puissance exacte (watts)}$$

Procédés de réglage

Avant de mettre l'appareil sous tension

Mettre d'abord la commande VOLUME à sa position minimale, puis enfoncer l'interrupteur POWER pour mettre l'appareil sous tension.

Pendant quelques secondes après que l'appareil a été mis sous tension, le circuit protecteur est mis en marche jusqu'à ce que les circuits à l'intérieur de l'appareil aient commencé à fonctionner de façon stable, et le témoin PROTECTOR clignote. Tant que le circuit protecteur fonctionne, aucun son ne parvient à travers les enceintes. L'amplificateur est totalement opérationnel lorsque le témoin cesse de clignoter et reste allumé.

Fonctionnement de base

1. Choisir les haut-parleurs que l'on a l'intention d'utiliser à l'aide du commutateur SPEAKERS. Si l'on veut procéder à une écoute par les écouteurs, les brancher dans la prise PHONES.

2. Appuyer sur le sélecteur d'entrée en fonction de la source de programme que l'on désire écouter.

Disque: Appuyer sur le sélecteur PHONO, et régler le sélecteur de cellule (PHONO MM.MC) en fonction de la cellule de la table de lecture utilisée.

Disque compact: Appuyer sur le sélecteur CD.

Emission de radio: Appuyer sur le sélecteur TUNER.

Bande: Appuyer sur le sélecteur TAPE-1 ou TAPE-2/PCM selon le magnétophone utilisé.

Auxiliaires: Appuyer sur le sélecteur AUX.

3. Faire fonctionner l'appareil de la source de programme.

4. Régler le son à l'aide de la commande VOLUME. Le commutateur MUTING est pratique pour réduire temporairement le volume.

5. Régler l'équilibrage entre le son des canaux de gauche et de droite à l'aide la commande BALANCE.

6. Pour régler la qualité du son, enfoncer le commutateur TONE, puis régler la commande BASS, MID.RANGE et TREBLE une fois que le témoin TONE s'est allumé.

Lecture d'un disque

1. Enfoncer le sélecteur INPUT SELECTOR PHONO.

2. Mettre le sélecteur PHONO sur la position MM ou MC.

* Mettre sur MC si la tension de sortie de la tête de lecture que l'on utilise est faible (moins de 1 mV), et mettre sur la position MM si la tension est élevée (plus de 1 mV).

3. Faire fonctionner la platine tourne-disque et passer le disque.

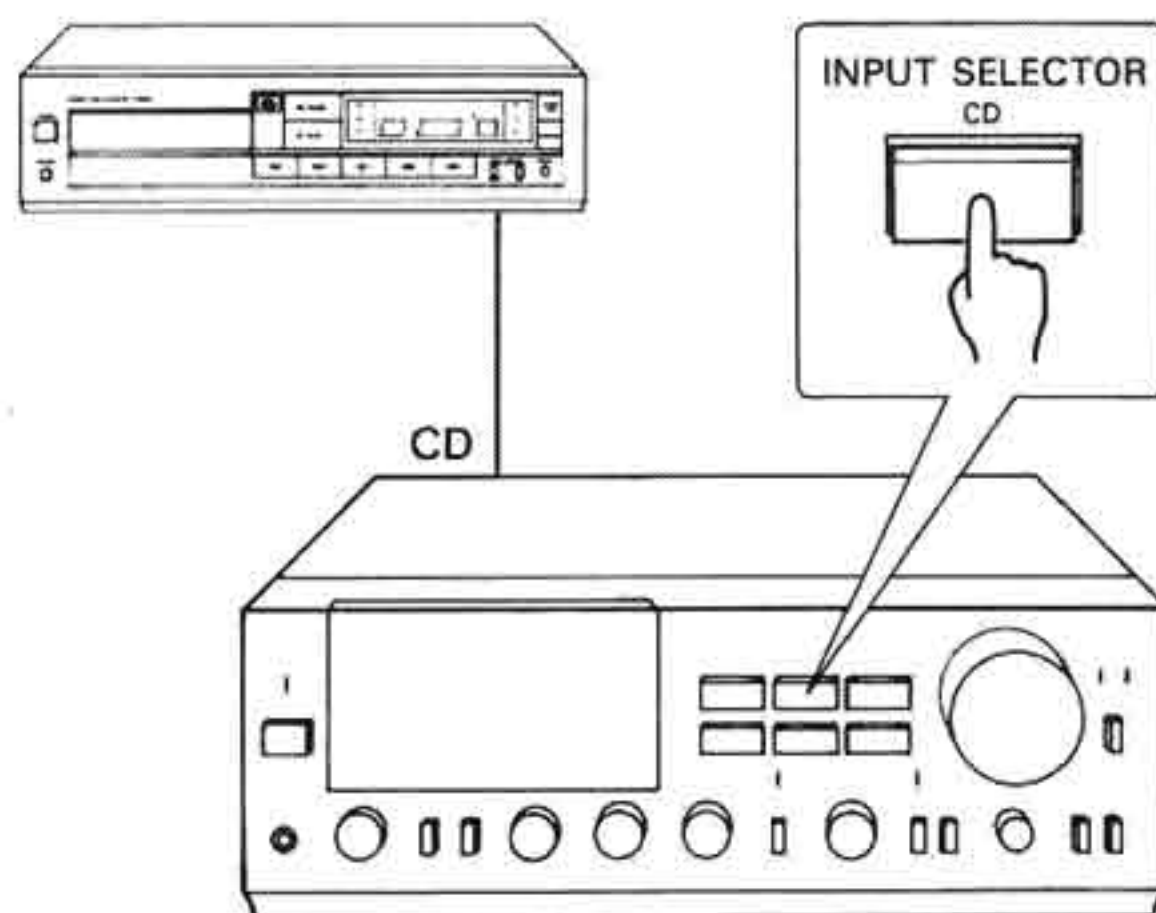
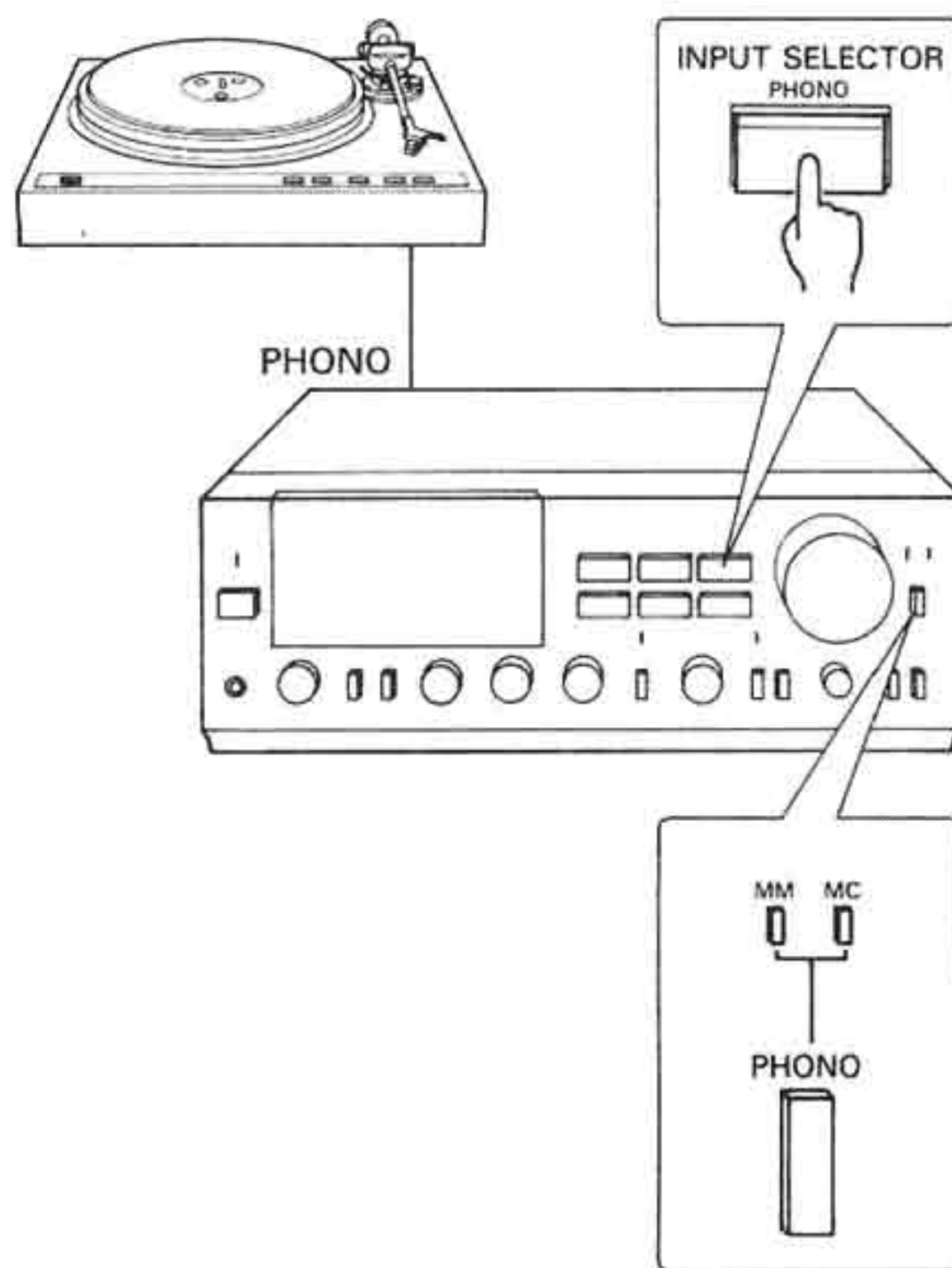
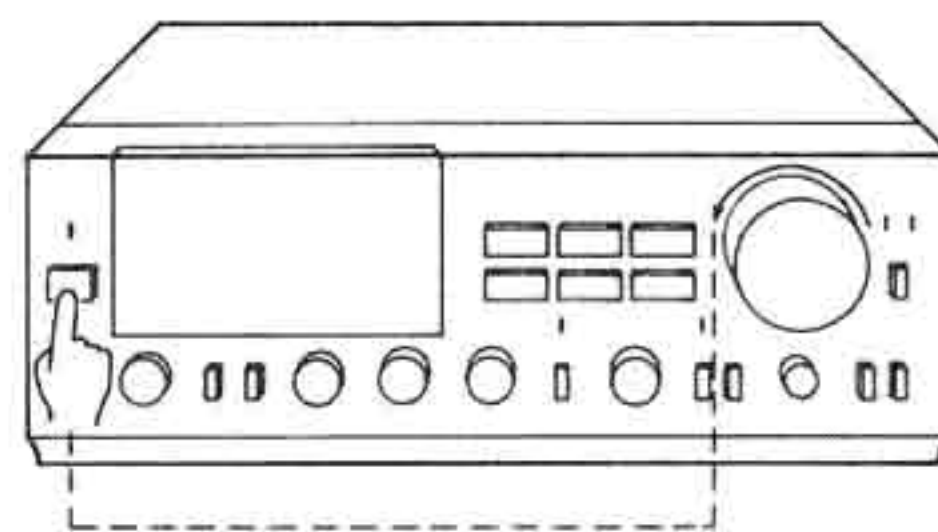
4. Régler le volume, l'équilibrage et la tonalité à son goût.

Lecture de disque compact

1. Appuyer sur le sélecteur d'entrée INPUT SELECTOR CD.

2. Lire le disque compact sur le lecteur de disque compact.

3. Régler le volume, l'équilibrage et la tonalité en fonction de ses préférences.



Ecoute de la radio

1. Appuyer sur le sélecteur d'entrée INPUT SELECTOR TUNER.
 2. Faire fonctionner le tuner et réglez vous sur la station désirée.
 3. Régler le volume, l'équilibrage et la tonalité à son goût.
- * Des signaux FM sont souvent parasités par le système d'allumage des automobiles passant à proximité et autres appareillages. Par conséquent, pour obtenir une meilleure réception FM, l'installation d'une antenne FM extérieure est conseillée. Pour la connexion d'antenne, s'assurer d'employer un câble coaxial, et non un câble du type feeder.

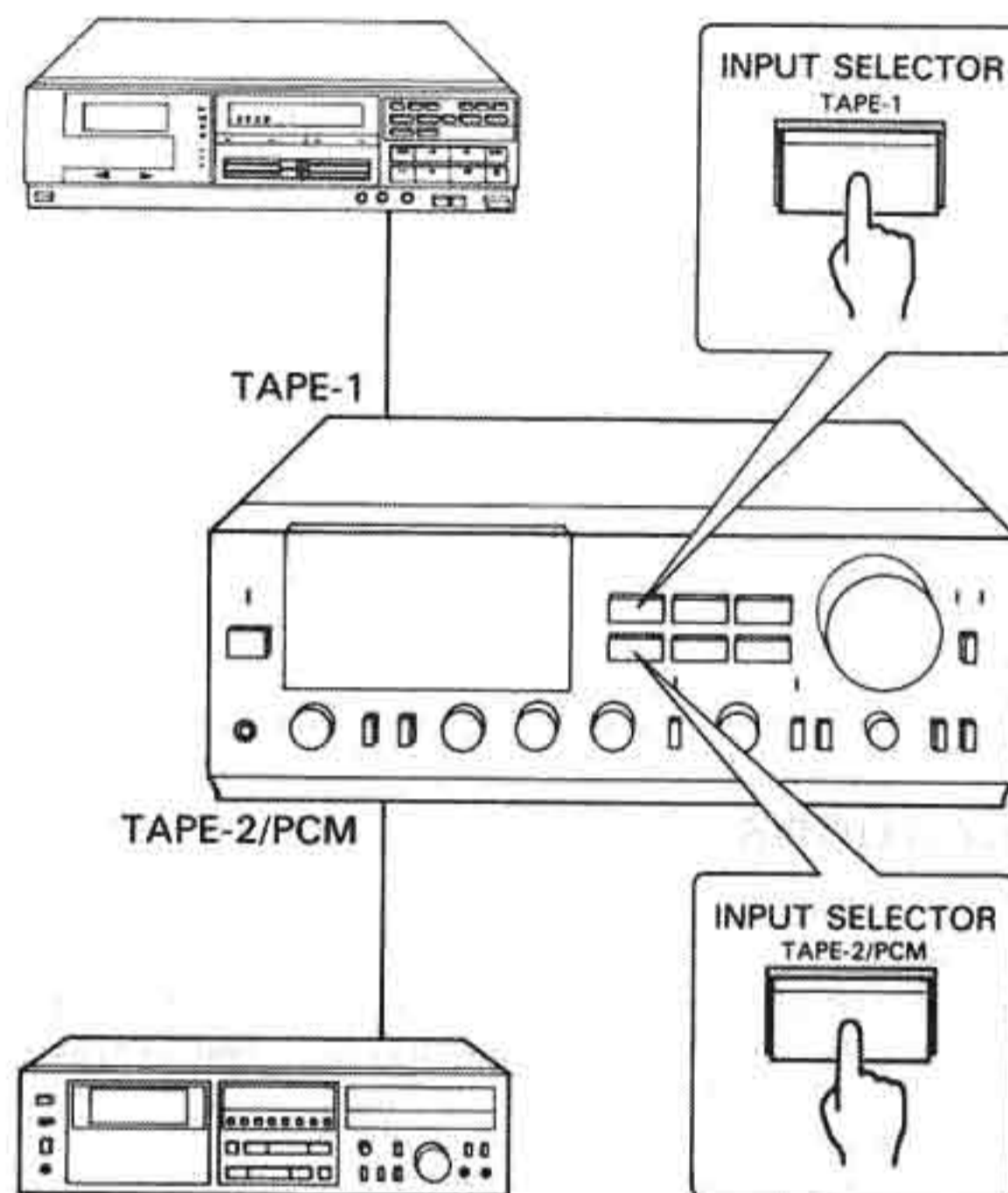
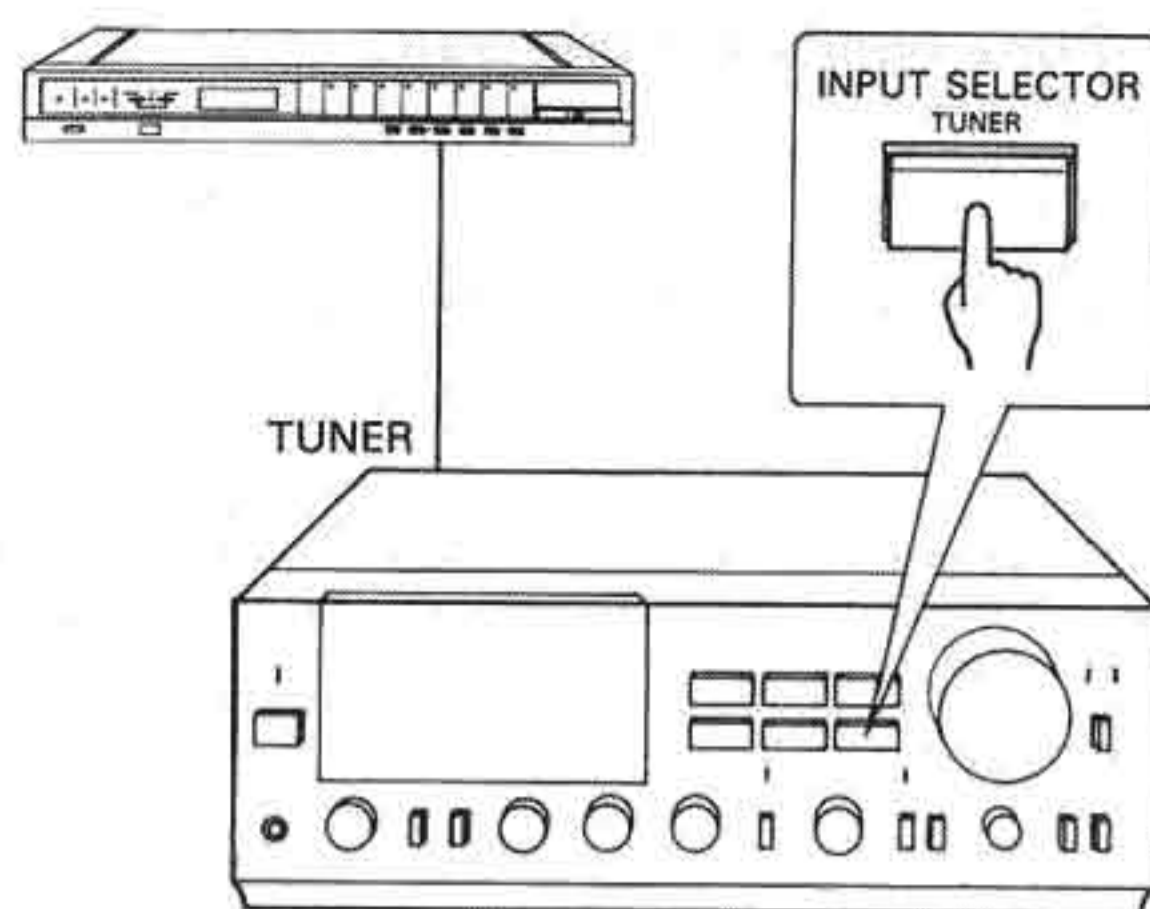
Lecture de bande

1. Appuyer sur le sélecteur d'entrée INPUT SELECTOR TAPE-1 ou TAPE-2/PCM.
- * Appuyer sur le sélecteur TAPE-1 lorsque le magnétophone a été relié aux bornes TAPE-1; appuyer sur le sélecteur TAPE-2/PCM lorsqu'il a été relié aux bornes TAPE-2/PCM.
2. Mettre le magnétophone en marche et reproduire la bande.
 3. Régler le volume, l'équilibrage et la tonalité à son goût.
- * Si l'on fait marcher le magnétophone pendant une période de temps prolongée, la qualité du son va être gênée par la poussière qui s'accumule sur les têtes et le cabestan., etc.
Pour obtenir une lecture optimale, se reporter au mode d'emploi du magnétophone et nettoyer les têtes régulièrement.

Enregistrement de bande

Il est possible d'enregistrer un disque, une émission ou toute autre source de programme sur le magnétophone relié aux bornes TAPE REC.

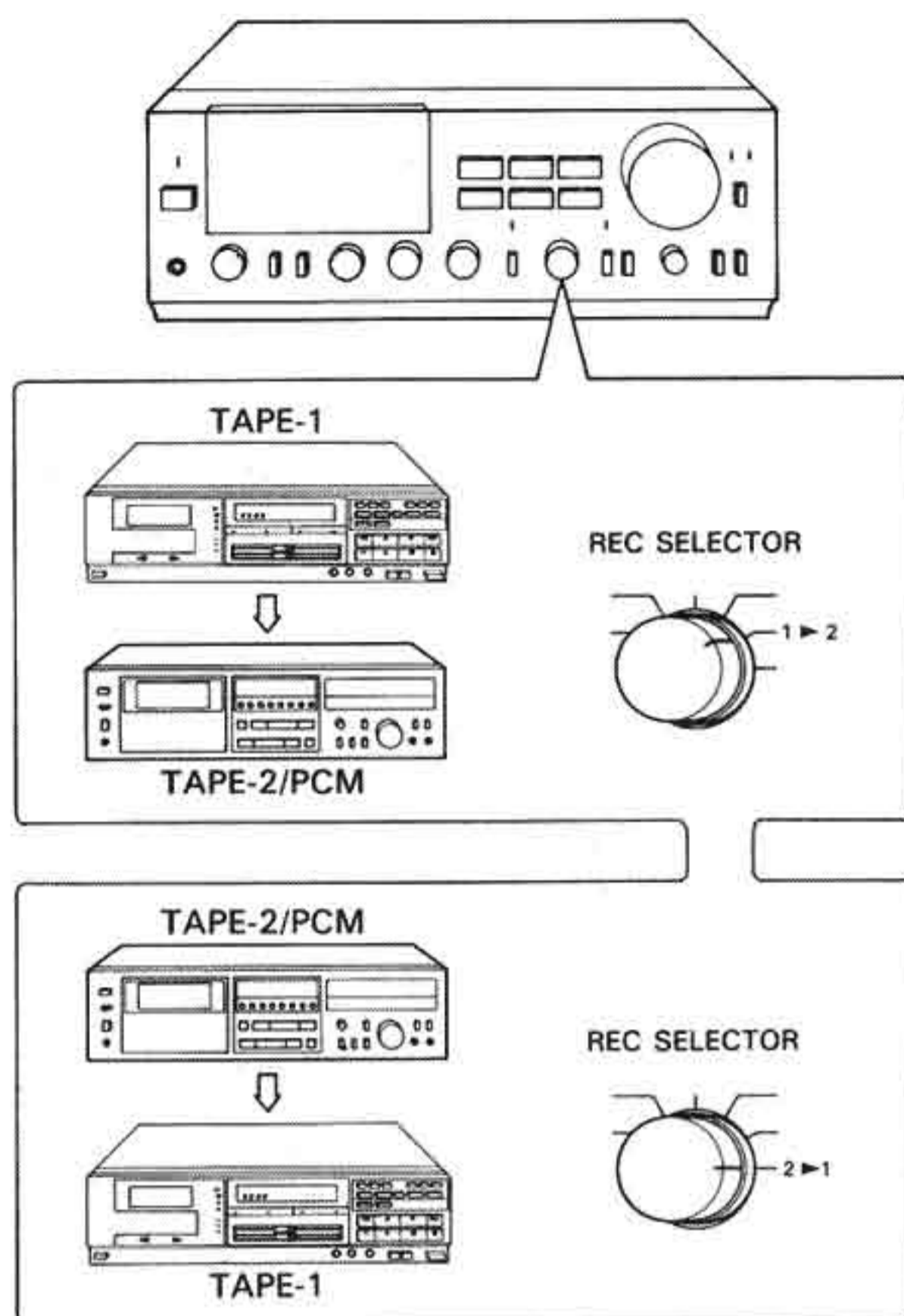
1. Placer le sélecteur REC SELECTOR à la position correspondant à la source de programme qu'il y a lieu d'enregistrer.
 2. Appuyer sur le sélecteur d'entrée INPUT SELECTOR pour choisir la source de programme que vous désirez enregistrer.
 3. Commencer à lire la source de programme.
 4. Mettre le magnétophone en march, régler le niveau d'enregistrement et commencer la reproduction.
- * Il n'est pas possible de régler le volume et la tonalité des signaux que l'on enregistre à l'aide des commandes VOLUME et de tonalité.
- * Les fonctions des sélecteurs REC SELECTOR et INPUT SELECTOR sont indépendantes. Dès lors, il est possible de placer le sélecteur INPUT SELECTOR à une position différente pendant un enregistrement et d'écouter une autre source de programme.



Copiage d'une bande sur une autre

Il est possible d'utiliser deux magnétophones pour copier le contenu d'une bande préenregistrée sur une autre bande.

1. Mettre le sélecteur REC SELECTOR sur la position 1 ► 2 ou 2 ► 1.
 - * Mettre sur 1 ► 2 lorsqu'on effectue un copiage du magnétophone 1 sur le magnétophone 2; mettre sur 2 ► 1 lorsqu'on effectue un copiage du magnétophone 2 sur le magnétophone 1.
2. Mettre les magnétophones de lecture et d'enregistrement en marche et commencer l'enregistrement.
 - * Il est possible d'écouter une autre source de programme à travers les haut-parleurs lorsque l'on effectue un copiage. Dans ce cas, enfoncer le sélecteur INPUT SELECTOR pour choisir la source de programme que l'on veut écouter.
 - * Pour vérifier le son au cours du copiage de bande, enfoncer le sélecteur TAPE-1 ou TAPE-2/PCM.



Spécifications

Puissance de sortie

Puissance efficace minimale, les deux canaux en fonction, de 20 à 20.000 Hz, avec pas plus de 0,003% de distorsion harmonique totale
160 watts par canal avec 8 ohms

Impédance de charge 8 ohms

Distorsion harmonique totale moins de 0,003% juste ou en dessous de la puissance de sortie minimale efficace.

Distorsion d'intermodulation (60 Hz: 7 kHz = 4:1 méthode SMPTE)
..... moins de 0,003% à la puissance de sortie nominale

Réponse de fréquence (à 1 watt)

Globale (depuis AUX, CD, TUNER

TAPE PLAY-1, 2) CC à 200.000 Hz, +0 dB, -3,0 dB

Déviations de la courbe RIAA (PHONO-MM, 20 Hz à 20 kHz)

..... +0,2 dB, -0,2 dB

Impédance et sensibilité d'entrée (à 1 kHz)

PHONO (MC) 250 μ V/100 ohms
(Capacité d'entrée max. : 20 mV à 1 kHz moins de 0,01% de distorsion harmonique totale)

PHONO (MM) 2,5 mV/47 kohms
(Capacité d'entrée max.: 200 mV à 1 kHz, moins de 0,01% de distorsion harmonique totale)

CD, AUX 150 mV/47 kohms

TUNER, TAPE PLAY-1,2 150 mV/47 kohms

Niveau de sortie (1.000 Hz)

TAPE REC-1,2 150 mV avec 47 kohms

Rapport de signal à bruit (IHF)

PHONO (MC) 70 dB

PHONO (MM) 88 dB

CD, AUX 110 dB

TUNER, TAPE PLAY-1,2 110 dB

Commandes et Filtre

BASS \pm 10 dB à 50 Hz

MID RANGE \pm 10 dB à 1 kHz

TREBLE \pm 10 dB à 10 kHz

MUTING -20 dB

LOUDNESS +8 dB à 50 Hz

(VOLUME: -30 dB position) +6 dB à 10 kHz

FILTERS

LOW -3 dB à 16 Hz (6 dB/oct)

HIGH -3 dB à 10 kHz (6 dB/oct)

Alimentation

Tension d'alimentation 120/220/240V (50/60 Hz)

Pour les USA et le Canada 120V (60 Hz)

Consommation de puissance 530 watts 640 VA Nominale

530 watts Maximum

Dimensions

430 mm (L)

160 mm (H)

430 mm (P)

Poids

17,3 kg net

19 kg emballé

* La présentation et les spécifications sont susceptibles d'être modifiées sans préavis par suite d'améliorations éventuelles.

* En raison des lois et règlements locaux, l'appareil vendu dans certaines régions ne sont pas équipés d'un sélecteur de tension ajustable.

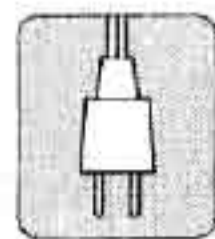
Wir möchten zu dieser Gelegenheit unseren Dank aussprechen, daß Sie sich für diesen HiFi-Baustein von SANSUI entschieden haben. Bitte lesen Sie vor der Inbetriebnahme des Gerätes diese Anleitung sorgfältig durch, um sich mit den wichtigen Vorsichtsmaßnahmen, den Bedienungsvorgängen und den vielen hervorragenden Eigenschaften dieses Gerätes vollständig vertraut zu machen.

Mögliche Beschädigungen können dadurch vermeiden werden, so daß Sie das hervorragende Leistungsvermögen dieser Komponente für viele Jahre genießen können.

* Um die Erläuterung zu vereinfachen, können die Abbildungen manchmal vom Original abweichen.

Vorsichtsmaßnahmen

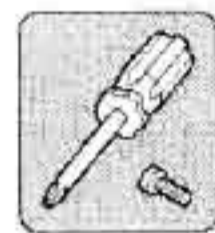
* Bitte die folgenden Hinweise beachten.



Netzstecker

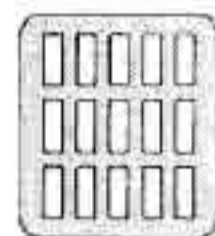
Zum Trennen des Netzkabels von der Steckdose immer am Stecker, nicht am Kabel anfassen, und abziehen. Zur Verhütung von Stromschlag den Netzstecker nie mit nassen Händen anschliessen oder abziehen.

* Denken Sie daran, den Netzstecker aus der Steckdose abzuziehen, wenn Sie das Gerät für längere Zeit nicht benutzen.



Gehäuse und Bodenplatte nicht abnehmen

Werden Inspektionen oder Justierungen im Geräteinnern ausgeführt, so kann dies zu Fehlfunktionen und Stromschlag führen. Keine Teile im Innern des Gerätes berühren. SANSUIs Garantie erstreckt sich nicht auf Beeinträchtigungen der Geräteleistung, die auf unbefugte Eingriffe im Innern des Gerätes zurückzuführen sind.



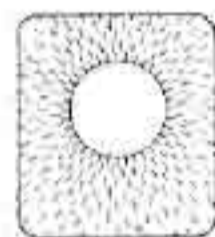
Die Ventilationsöffnungen nicht blockieren

Die Ventilationsöffnungen auf der Geräteoberseite sollten nicht durch das Ablegen von Schallplatten oder anderen Gegenständen auf ihnen blockiert werden, weil dadurch die Temperatur im Geräteinnern gesteigert wird, was Ausfall oder Fehlfunktion des Gerätes bewirken kann.



Geräteinneres

Falls eine Haarnadel, Münze oder irgendein Metallgegenstand in das Gerät fällt oder Wasser über das Gerät verschüttet wird, sofort den Netzstecker aus der Steckdose ziehen und Ihren Händler oder die nächste SANSUI Kundendienststelle um Rat fragen. Bei fortgesetztem Betrieb kann es zu Störungen oder Stromschlag kommen.



Vorsichtsmaßnahmen zur Installation

Um Beeinträchtigungen der Leistung oder Fehlfunktion zu vermeiden, sollte das Gerät nicht an den folgenden Orten aufgestellt werden:

- * In direktem Sonnenlicht oder in der Nähe von Wärmequellen wie Heizkörpern usw.
- * An Orten mit hoher Feuchtigkeit oder Nässe.
- * An Orten mit schlechter Luftzirkulation, wo das Gerät Staub oder Schmutz ausgesetzt ist.
- * Auf unstabilen, unebenen oder leicht vibrierenden Unterlagen.
- * Auf einem Verstärker mit hoher Leistungsabgabe, auf Audiokomponenten mit Vakuumröhren oder auf anderen Geräten, die Wärme entwickeln.



Zum Reinigen des Gerätes keine Verdüner benutzen

Gehäuse und Schalttafel ab und zu mit einem weichen Tuch abreiben. Die Verwendung von Verdünnern, Alkohol oder leichtflüchtigen Reinigungsmitteln ist zu vermeiden, weil es dadurch zu Beschädigung der Oberfläche, Fleckenbildung und Abreiben der Markierungen kommen kann.

Keine Insektensprays in der Nähe des Gerätes verwenden.

Netzspannung

Vor Versand wurde dieses Gerät auf die Netzspannung des Bestimmungslandes eingestellt.

Wenden Sie sich unbedingt an die nächste SANSUI-Kundendienststelle, wenn das Gerät in einem Gebiet mit anderer als der vorgestellten Netzspannung betrieben werden soll.



Der Blitz mit dem Pfeil an der Spitze in einem gleichschenkligen Dreieck soll den Benutzer vor nicht isolierter "gefährlicher Spannung" im Produkt warnen, die eine Stromschlaggefahr für Personen darstellen kann.



Das Ausrufezeichen in einem gleichschenkligen Dreieck soll den Benutzer auf wichtige Betriebs- und Wartungsanleitungen im mit dem Gerät mitgelieferten Text aufmerksam machen.

Nur für Großbritannien

Wichtig

Die Drähte dieses Netzkabels folgen in ihrer Farbe dem nachstehenden Code:

Blau: Neutral
Braun: Stromführend

Falls die Farben der Drähte des Netzkabels dieses Gerätes nicht mit den farbigen Markierungen der Klemmen Ihres Steckers übereinstimmen, gehen Sie folgendermaßen vor:

Der **blaue** Draht ist an die schwarze oder dem Buchstaben "N" bezeichnete Klemme anzuschließen.

Der **braune** Draht ist an die rote oder mit dem Buchstaben "L" bezeichnete Klemme anzuschließen.

Vergewissern Sie sich, daß Ihr Gerät ordnungsgemäß angeschlossen ist. Im Zweifelsfall wenden Sie sich bitte an einen qualifizierten Elektriker.

Bei einem außerhalb Großbritanniens gekauften Gerät, das mit einem "europäischen" zweipoligen Netzstecker ausgestattet ist, muß dieser Stecker entfernt und der Anschluß wie oben beschrieben hergestellt werden. Vergewissern Sie sich außerdem, daß das Gerät richtig auf den Betrieb über 240V Netzspannung eingestellt ist. Im Zweifelsfall wenden Sie sich bitte an einen qualifizierten Elektriker oder unseren Kundendienst in Großbritannien.

Dieses Gerät strahlt Wärme am besten ab, wenn es auf einer ebenen Fläche abgestellt wird. Das Gerät nicht hochkant stellen oder in einem Winkel aufstellen.

Anschlüsse

Beim Lesen der folgenden Erklärung auf den Anschlußplan auf Seite 3 Bezug nehmen.

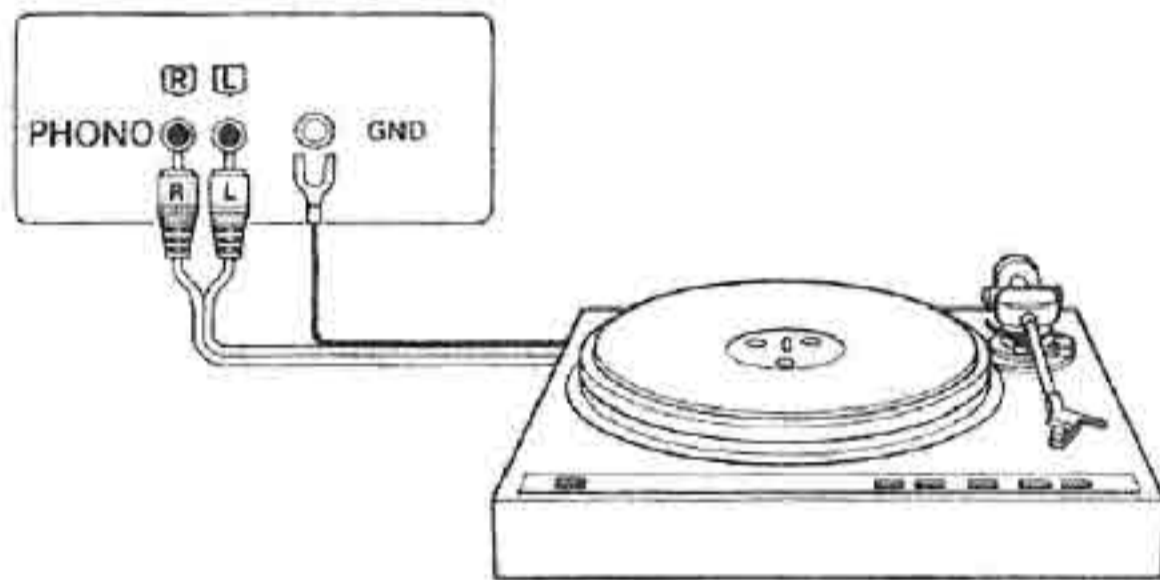
Vorsichtsmaßnahmen beim Anschließen

- * Beim Anschließen entweder den Netzstecker von der Steckdose abziehen oder die Stromzufuhr mit dem Netztaсте (POWER) des Gerätes abschalten.
- * Vor dem Anschließen die Bedienungsanleitungen aller anderen Audiokomponenten, die an dieses Gerät angeschlossen werden sollen, sorgfältig durchlesen.
- * Sicherstellen, daß die Anschlüsse für die linken und rechten Kanäle richtig hergestellt werden (L zu L und R zu R).
- * Alle Stecker fest einstecken. Falsche Anschlüsse können Störgeräusche hervorrufen.

Plattenspieler

Den Stecker des linken (weißen) Ausgangskabel des Plattenspielers an den mit L PHONO-Buchsen, Anschluß, und den rechten (roten) Stecker an den mit R PHONO-Buchsen, Anschluß anschließen.

Wenn Ihr Plattenspieler mit einem Erdungskabel ausgestattet ist, dieses an die Masseklemme (GND) des Gerätes anschließen; falls jedoch dadurch der Brumm verstärkt wird, das Erdungskabel wieder abklemmen.

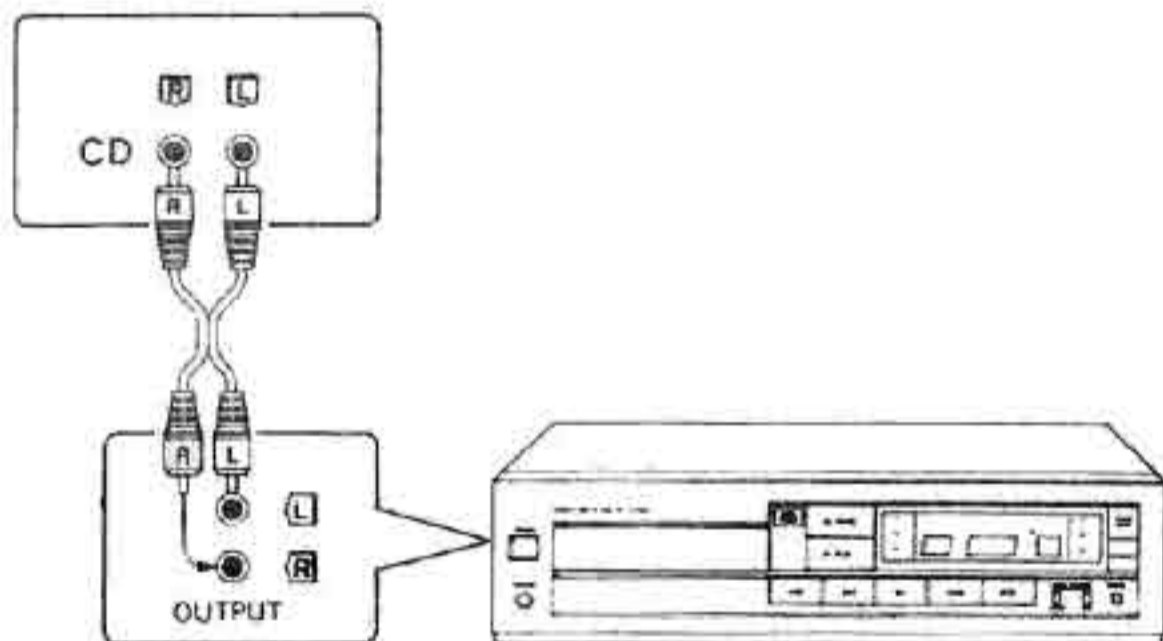


Compact-Disc-Spieler

Bei Verwendung eines Compact-Disc-Spielers (SANSUI PC-V1000 usw.) ist dieser an die Buchsen CD anzuschließen.

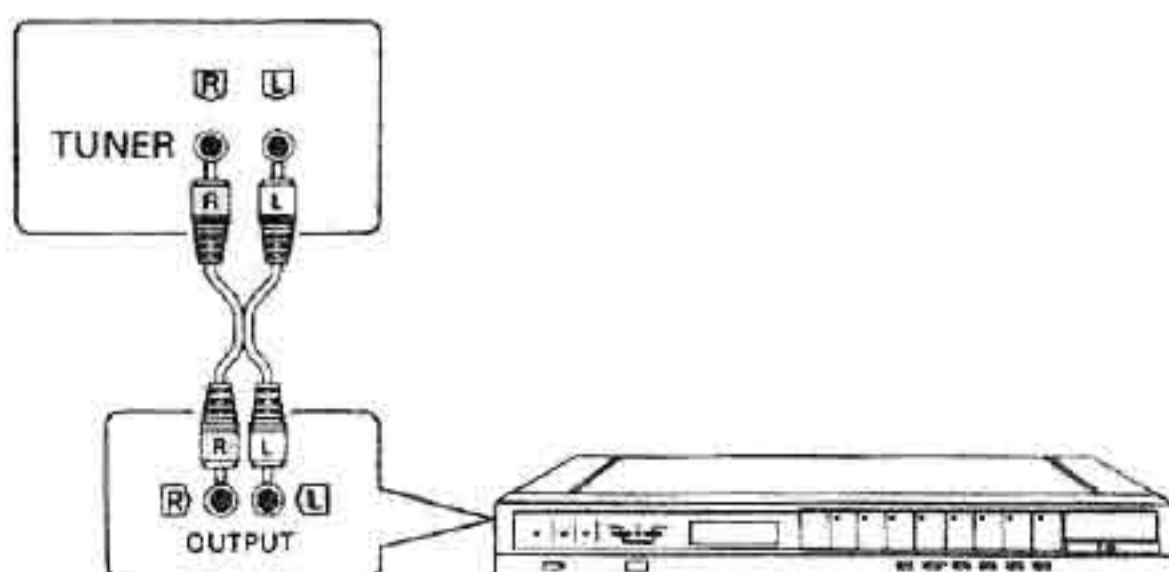
Die Buchsen CD mit einem Stiftsteckerkabel an die Ausgangsbuchsen des Compact-Disc-Spielers anschließen.

- * Die Buchsen CD weisen die gleichen elektrischen Eigenschaften wie die Buchsen TUNER und TAPE PLAY auf.



Tuner

Die Buchsen TUNER an die Ausgangsanschlüsse (OUTPUT) des Tuners mit dem Steckkabel anschließen.

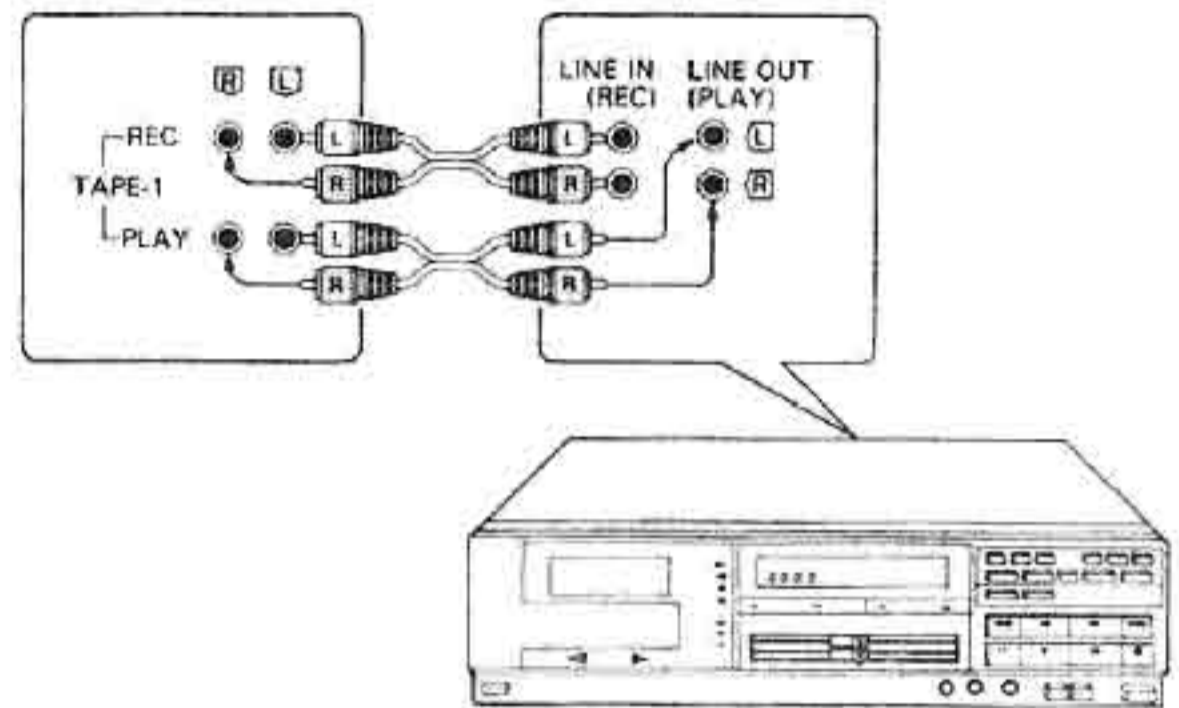


Bandgerät

Wenn nur ein Bandgerät verwendet wird, dieses an die Buchsen TAPE-1 anschließen. Ein zweites Bandgerät kann an die Buchsen TAPE-2/PCM angeschlossen werden, wonach gleichzeitige Aufnahme möglich und Bänder überspielt (kopiert) werden können.

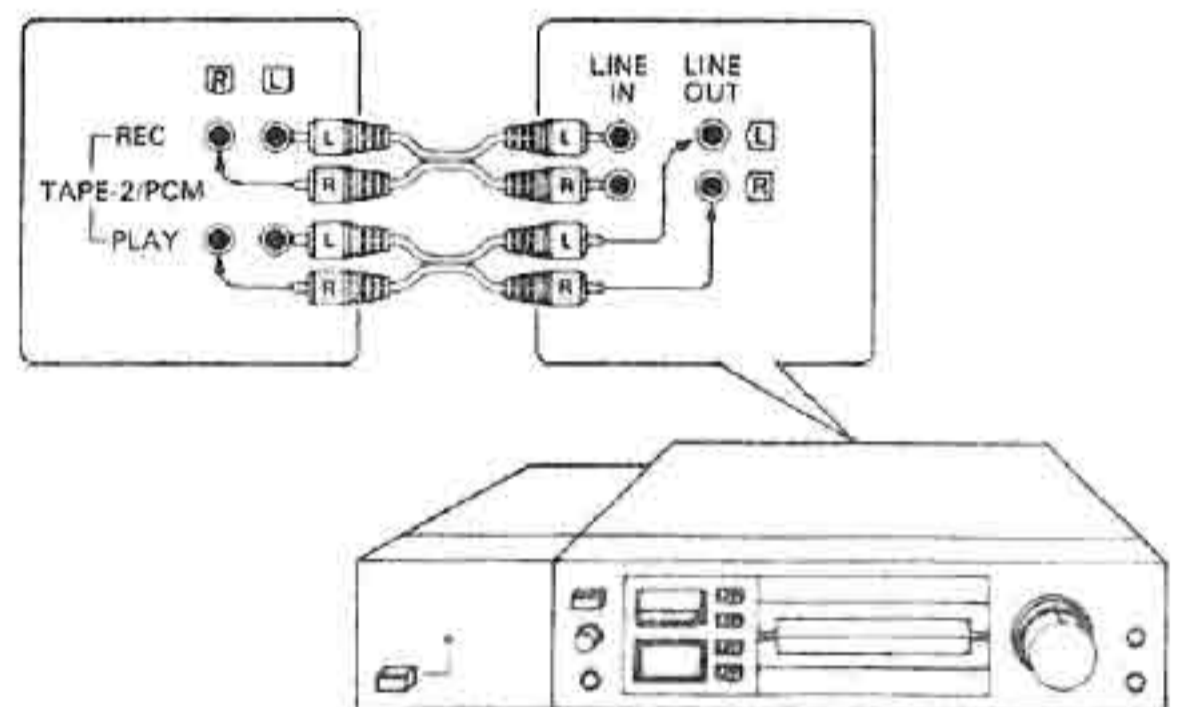
Aufnahme-Anschlüsse: Die Bandaufnahme-Anschlüsse (REC) an die Aufnahme-Eingangsanschlüsse (LINE IN) des Bandgerätes mit dem Steckkabel anschließen.

Wiedergabe-Anschlüsse: Die Bandwiedergabe-Anschlüsse (PLAY) mit dem Steckkabel an die Wiedergabe-Ausgangsanschlüsse (LINE OUT) des Bandgerätes anschließen.



PCM-Audioprozessor

Bei Verwendung eines PCM-Audioprozessors (SANSUI PC-X1 usw.) diesen an die Buchsen TAPE-2/PCM anschließen. Die Buchsen TAPE-2/PCM REC des Gerätes mit einem Stiftsteckerkabel an die Buchsen LINE IN des PCM-Audioprozessors, und die Buchsen TAPE-2/PCM PLAY des Gerätes mit einem zweiten Stiftsteckerkabel an die Buchsen LINE OUT des PCM-Audioprozessors anschließen.



Reserve-Eingangsanschlüsse (AUX)

Die Reserve-Eingangsanschlüsse (AUX) haben die gleiche elektrische Funktion wie die Tuner- oder Bandgeräteeingänge. Sie dienen zum Anschluß eines zweiten Stereotuners oder eines nur für Wiedergabe vorgesehenen Cassettendecks. Die Reserveanschlüsse mit dem Steckkabel an die Ausgangsanschlüsse der Komponente anschließen.

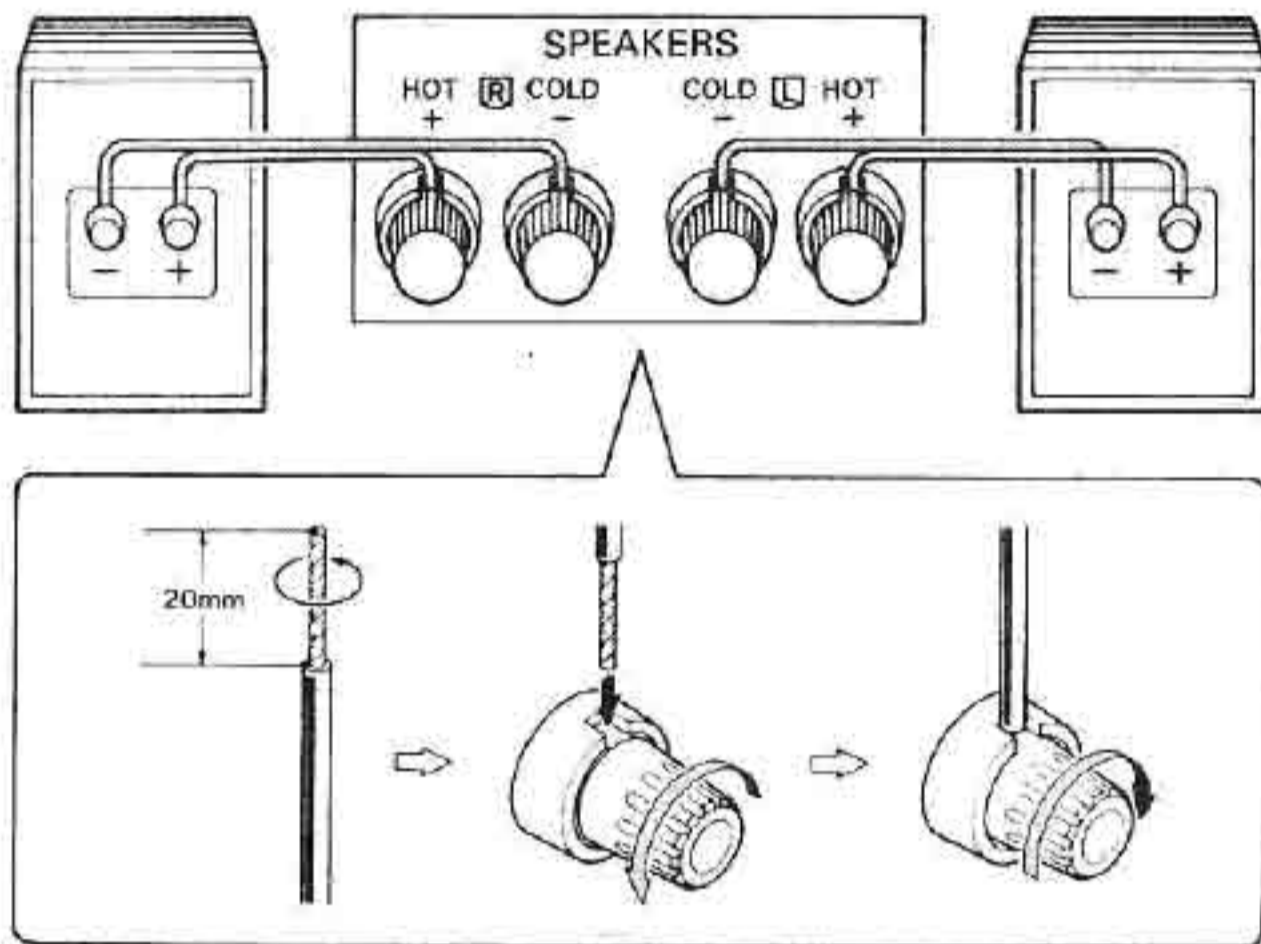
Lautsprecher

Für den Anschluß von Lautsprecherboxen stehen zwei Paare von Lautsprecherklemmen (SPEAKERS), SYSTEM-A und SYSTEM-B, zur Verfügung. Wird nur ein Lautsprecherpaar verwendet, dieses an die Klemmen SYSTEM-A anschließen.

Die " + " -Lautsprecher-Anschlußklemmen an die roten (+) Anschlußklemmen des Lautsprechersystems, und die " - " - Anschlußklemmen an die schwarzen (-) Anschlußklemmen des Lautsprechersystems anschließen.

Werden diese Anschlüsse nicht polaritätsgerecht hergestellt, so wird der Klang der Instrumente nicht stabil positioniert, der Klang in der Mitte erscheint zu schwach, und ein richtiger Stereoeffekt wird nicht erzielt.

- * Beim Anschließen darauf achten, daß die blanken Leiter der Lautsprecherkabel sich nicht von den Anschlußklemmen lösen und nicht mit anderen Klemmen in Berührung kommen.
- * Da die Endstufe dieses Gerätes einen Brückenaufbau aufweist, dürfen die negativen (-) SPEAKERS-Klemmen weder zusammengelegt noch an die Masseklemme (GND) am Chassis einer anderen Komponente angeschlossen werden.



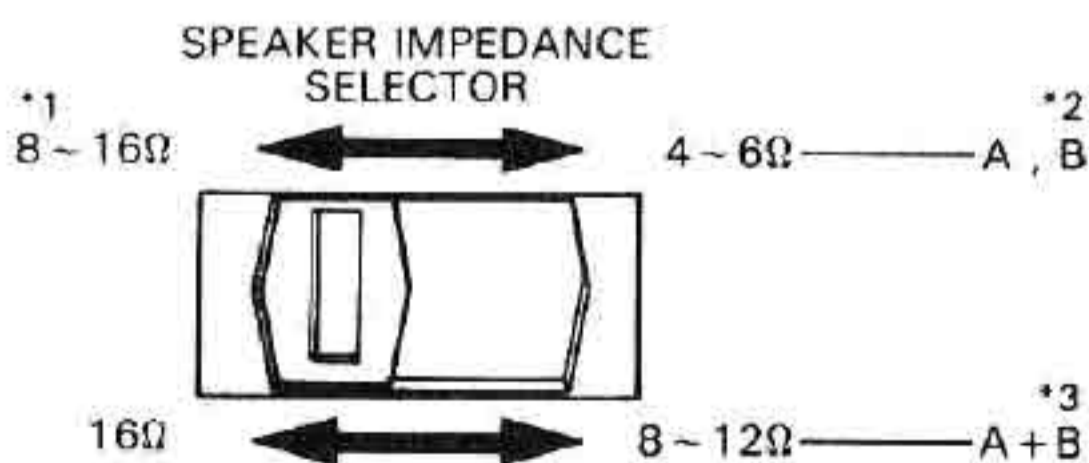
Hinweise zur Lautsprecherimpedanz

Wenn zwei Lautsprecherpaare an die Klemmen SYSTEM-A und SYSTEM-B angeschlossen sind und diese separat betrieben werden sollen, darf ihre Nennimpedanz zwischen 4 und 16 Ohm betragen. Wenn die zwei Lautsprecherpaare jedoch zusammen verwendet werden sollten (A + B), sollte die Nennimpedanz beider Paare 8 Ohm oder mehr betragen. Falls ein Lautsprechersystem eine Nennimpedanz von weniger als 8 Ohm aufweist, tritt u. U. die Schutzschaltung während der Wiedergabe in Funktion, oder es kommt zu einer Funktionsstörung.

Lautsprecherimpedanz-Wahlschalter (SPEAKER IMPEDANCE SELECTOR)

Dieser Schalter befindet sich auf der Geräterückseite und sollte auf die Nennimpedanz der an dieses Gerät angeschlossenen Lautsprecher eingestellt werden.

- * Die Nennimpedanz der Lautsprecher ist auf dem Gehäuse oder in der Bedienungsanleitung angegeben.
- Falls dieser Schalter nicht richtig eingestellt ist, wird die volle Ausgangsleistung der Lautsprecherboxen u. U. nicht erzielt oder es kommt zu anormaler Wärmeentwicklung.



- *1: Nennimpedanz des Lautsprechersystems.
- *2: Wenn nur ein Paar von Lautsprecherboxen an die Klemmen SPEAKERS SYSTEM-A oder -B angeschlossen ist.
- *3: Bei Verwendung von zwei Paaren von Lautsprecherboxen, die an die Klemmen SPEAKERS SYSTEM-A und -B angeschlossen sind.

Kaltgerätesteckdosen

Dieses Gerät ist mit zusätzlichen Kaltgerätesteckdosen ausgestattet, die zweckmäßigerweise zum Anschluß eines Tuners, eines Bandgerätes oder eines Plattenspielers verwendet werden können.

SWITCHED (100W Kapazität): Die angeschlossene Komponente wird durch Betätigen die Taste POWER des Gerätes ein- und ausgeschaltet.

UNSWITCHED (250W Gesamtkapazität): Die angeschlossene Komponente wird ohne Rücksicht auf die Stellung die Taste POWER des Gerätes mit Strom versorgt.

Es ist äußerst gefährlich, ein Elektrogerät anzuschließen, dessen Leistungsaufnahme die Nennbelastbarkeit übersteigt. Überprüfen Sie daher vor dem Anschließen die Leistungsaufnahme des Gerätes oder der Komponente.

- Die Wechselstromsteckdosen stehen unter Hochspannung, deshalb dürfen keine Haarnadeln oder sonstige Metallgegenstände hineinsteckt werden, da sonst Stromschlaggefahr besteht. Kleinkinder sollten keinen Zugang zu diesen Netzausgängen haben.

ANMERKUNG: Je nach den örtlich geltenden Gesetzen und Bestimmungen werden für manche Importgebiete auch Geräte ohne Netzausgangsbuchsen geliefert. Außerdem ist die Form und Kapazität der Netzausgangsbuchsen je nach Verkaufsgebiet verschieden.

WICHTIG

Vor Hineinstecken des Netzkabelsteckers in eine Steckdose

Die Netzspannung des Gerätes wurde entsprechend dem Versandgebiet entweder auf 120V, 220V oder 240V eingestellt. Gemäß den Gesetzen und Bestimmungen des Verkaufsgebietes dürfen einige Geräte nur auf 120V eingestellt werden, während andere Geräte mit anderen, mit Hilfe des Spannungswahlschalters (VOLTAGE SELECTOR) gewählten Spannungen betrieben werden können. Vor Anschließen des Gerätes stets gemäß folgender Erklärung sicherstellen, daß die eingestellte Spannung des Gerätes mit der Netzspannung übereinstimmt. Wenn das Gerät an eine Spannungsquelle mit zu hoher Spannung angeschlossen wird, kann Brand oder Versagen die Folge sein.

Geräte ohne Spannungswahlschalter

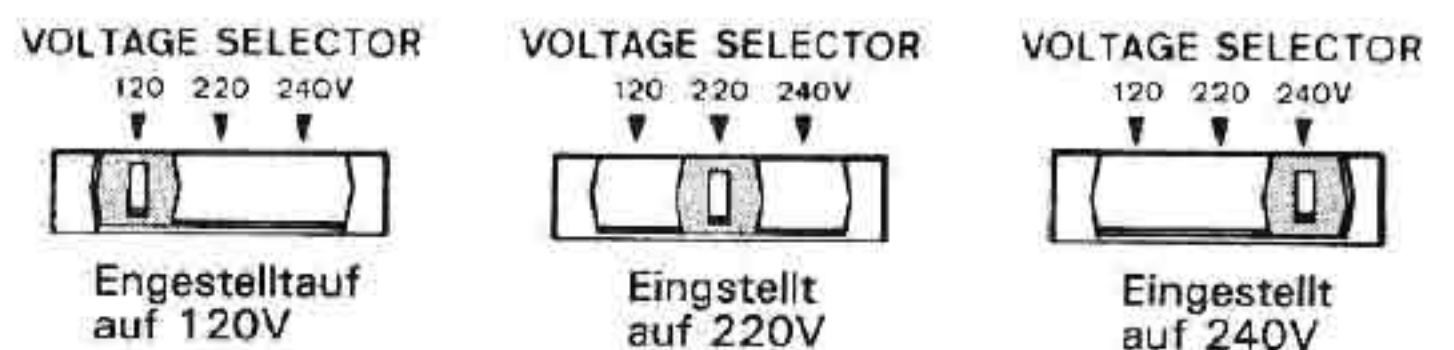
Ausschließlich für 120V Netzspannung vorgesehene Geräte haben keinen Spannungswahlschalter an der Rückwand. Diese können daher nicht in Gebieten mit anderen Spannungen als 120V verwendet werden. Soll das Gerät mit einer anderen Spannung betrieben werden, wenden Sie sich bitte an die nächste Kundendienststelle oder an Ihr Fachgeschäft.

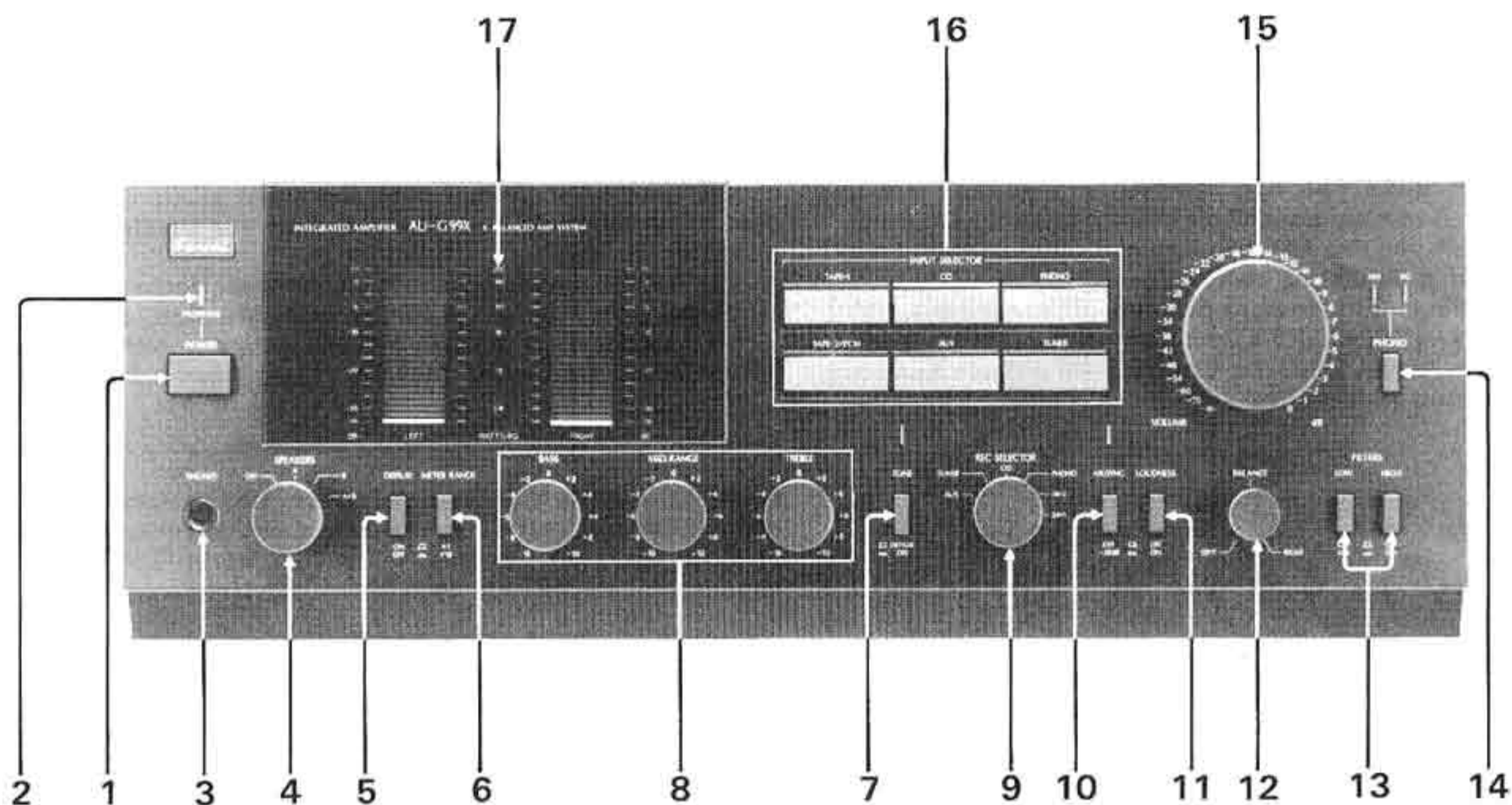
Geräte mit Spannungswahlschalter (VOLTAGE SELECTOR)

Geräte mit einem Spannungswahlschalter werden vor Auslieferung auf die Spannung des bestimmten Verkaufsgebietes eingestellt; trotz sollte vor Hineinstecken des Netzkabelsteckers in eine Steckdose stets nachgeprüft werden, ob die richtige Spannung eingestellt ist. Stimmt die eingestellte Spannung nicht mit der Netzspannung überein, das Gerät mit Hilfe des Spannungswahlschalters (VOLTAGE SELECTOR) gemäß folgender Beschreibung auf die richtige Spannung einstellen.

- Geräte mit einem 120V/220V/240V-Spannungswahlschalter (VOLTAGE SELECTOR) an der Rückwand

Diese Geräte werden mit Hilfe des Spannungswahlschalters (VOLTAGE SELECTOR) an der Rückwand entweder auf 120V, 220V oder 240V eingestellt. Die Spannung durch Verschieben des Schalters mit einem normalen Schraubenzieher o.ä. ändern.





1 Netztaste (POWER)

2 Schutzstromkreislampe (PROTECTOR)

Der Verstärker wird mit Strom versorgt, wenn diese Taste gedrückt wird und die Kontrolllampe blinkt. Nach einigen Sekunden hört die Kontrolllampe auf zu blinken und leuchtet stetig, wodurch angezeigt wird, daß der Verstärker nun voll betriebsbereit ist. Durch Ausrasten der Netzta- ste wird die Stromversorgung abgeschaltet.

* Solange die Kontrolllampe blinkt, erfolgt keine Tonwiedergabe über die Lautsprecher. Falls die Kontrolllampe während des Betriebs zu blin- ken anfängt, bedeutet dies, daß die eingebaute Schutzschaltung auf- grund einer Störung im Inneren des Verstärkers aktiviert wurde.

3 Kopfhörerbuchse (PHONES)

Diese Buchse dient zum Anschluß des Kopfhörer. Den Stecker des Ste- reokopfhörers für ungestörtes Hörvergnügen hier anschließen. Die Lautstärke so justieren, daß Ihre Ohren beim Gebrauch des Kopfhö- rers nicht schmerzen.

* Wenn Sie Ihren Kopfhörer nicht benutzen wollen, achten Sie stets darauf, daß der Klinkenstecker abgezogen ist.

4 Lautsprecherschalter (SPEAKERS)

Wählen Sie mit dem Schalter SPEAKERS die Lautsprecher, über die Sie hören wollen.

OFF: Abschalten der Lautsprecher zum Hören über Kopfhörer.

A: Betrieb der an den Klemmen SPEAKERS SYSTEM-A angeschlos- senen Lautsprecher.

B: Betrieb der an den Klemmen SYSTEM-B angeschlossenen Laut- sprecher.

A + B: Betrieb der an A und der an B angeschlossenen Lautsprecher.

* Den Lautsprecherimpedanz-Wahlschalter (SPEAKER IMPEDANCE SE- LECTOR) auf der Geräterückseite in Übereinstimmung mit der Nen- nimpedanz der verwendeten Lautsprecher einstellen. Besonders bei Gebrauch der Position "A + B" ist auf die richtige Impedanz zu achten.

5 Anzeigeschalter (DISPLAY)

Mit diesem Schalter kann die Ausgangsleistungsanzeige auf dem Spit- zenleistungsanzeigefeld ein- und ausgeschaltet werden. Den Schalter in die Stellung ON niederdrücken, um die Ausgangsleistung auf dem Spit- zenleistungsanzeigefeld überprüfen zu können.

6 Meßbereich-Wahlschalter (METER RANGE)

Mit Hilfe der METER RANGE Schalter kann der Anzeigebereich zwischen zwei Pegeln umgeschaltet werden. Wählen Sie den Bereich, bei dem es am leichtesten ist, die jeweilige Leistungsabgabe.

7 Klangregeltaste (TONE)

Um die Klangqualität mittels der Klangregler einstellen zu können, muß zuerst diese Taste gedrückt werden, worauf zur Bestätigung der Akti- verung eine Kontrolllampe aufleuchtet.

8 Klangfarbenregler (TONE)

Die Klangfarbe kann durch Betätigung dieser Regler geregelt werden, während die Klangfarbenanzeige aufleuchtet.

Wenn der Baßregler (BASS) von der Stellung "0" aus nach rechts ge- dreht wird, erfolgt eine Betonung der tiefen Frequenzen, und beim Dre- hen des Reglers nach links werden die tiefen Frequenzen schwächer. Wenn der Mittenregler (MID RANGE) von der Stellung "0" aus nach rechts gedreht wird, erfolgt eine Betonung der mittleren Frequenzen, und beim Drehen des Reglers nach links werden die mittleren Frequenzen schwächer.

Wenn der Höhenregler (TREBLE) von der Stellung "0" aus nach rechts gedreht wird, erfolgt eine Betonung der hohen Frequenzen, und beim Drehen des Reglers nach links werden die hohen Frequenzen schwächer.

• Die Klangfarbenregler sind bei erloschener Klangfarbenanzeige nicht funktionsfähig.

9 Aufnahmewahlschalter (REC SELECTOR)

Dieser Wahlschalter dient zur Wahl der Programmquelle, deren Ton auf Band aufgezeichnet werden soll. Mit diesem Schalter sind Aufnahmen ungeachtet der Einstellung der Schalter INPUT SELECTOR möglich.

AUX: Für Aufnahme der Signale einer an die AUX-Buchsen angeschlossenen Komponente.

TUNER: Für Aufnahme von Rundfunksendungen von dem an die TUNER-Buchsen angeschlossenen Tuner.

CD: Für Aufnahme von dem an die Buchsen CD angeschlossenen Compact-Disc-Spieler.

PHONO: Für Bandaufnahme von dem die Buchsen PHONO angeschlossenen Plattenspieler.

1 ► 2: Für Aufnahme von dem an die Buchsen TAPE-1 angeschlossenen Bandgerät auf dem an die Buchsen TAPE-2/PCM angeschlossenen Bandgerät.

2 ► 1: Für Aufnahme von dem an die Buchsen TAPE-2/PCM angeschlossenen Bandgerät auf dem an die Buchsen TAPE-1 angeschlossenen Bandgerät.

10 Lautstärkedämpfungstaste (MUTING)

Durch Drücken dieser Taste wird die Lautstärke um 20 dB gedämpft. Drücken Sie diese Taste, wenn Sie die Lautstärke vorübergehend reduzieren wollen; die Kontrolllampe leuchtet auf, und der Ton wird gedämpft. Wenn die Taste ausgerastet wird, geht die Kontrolllampe aus, und die vorherige Lautstärke wird wiederhergestellt. Denken Sie daran, daß die Lautstärke mit dem Ausrasten der Taste plötzlich zunimmt.

11 Lautstärkeschalter (LOUDNESS)

Das menschliche Ohr wird mit verringerter Lautstärke unempfindlich für tiefe und hohe Töne. Bei verringerter Lautstärke erscheint der Klang zu "dünn", doch wenn der Lautstärkeschalter auf die ON-Position gedrückt wird, so werden die Bässe, Mittler und Höhen betont, wodurch ein balancierter Effekt entsteht. Wird der Schalter auf die OFF-Position ausgerastet, so wird der Frequenzgang linear.

12 Balanceregler (BALANCE)

Mit dem BALANCE Regler kann die Lautstärke der linken und rechten Lautsprecher eingestellt werden. Durch Drehen des Reglers aus der Mittelstellung nach links wird der linke Lautsprecher lauter als der rechte und umgekehrt. Stellen Sie so ein, daß Sie an dem Platz, an dem Sie hören wollen, beide Lautsprecher gleich laut hören.

13 Filterschalter (FILTERS)

LOW: Dieser Schalter dient zum Abschwächen der tiefen Frequenzen jenseits des hörbaren Frequenzbereichs. Das das durch verzogene Schallplatten und andere Faktoren erzeugte ultratiefe Rauschen führt zu Intermodulationsverzerrungen, die die Klangqualität beeinträchtigen, doch kann dies durch Drücken dieses Schalters auf ON abgeschwächt werden. Zum Ausschalten wird der Schalter durch nochmaliges Drücken ausgerastet OFF.

HIGH: Durch Drücken diesen Schalter auf ON werden die hohen Frequenzen abgeschnitten. Wählen Sie diese Position bei starkem Geräuschanteil, der von Kratzern auf Schallplatten oder von Hochfrequenzrauschen beim MW-Empfang herrührt.

* Lassen Sie diesen Schalter auf OFF ausgerastet, wenn eine Aktivierung des Filters nicht erforderlich ist.

14 PHONO-Schalter

Diesen Schalter in Übereinstimmung mit der Ausgangsspannung des für den Plattenspieler verwendeten Tonabnehmersystems einstellen. Die Anzeige leuchtet gemäß der gewählten Position auf.

MM: Diesen Schalter bei Verwendung eines Tonabnehmersystems mit hohem Ausgang (1 mV oder höher) drücken.

MC: Diesen Schalter bei Verwendung eines Tonabnehmersystems mit niedrigem Ausgang (weniger als 1 mV) drücken.

15 Lautstärkeregler (VOLUME)

Mit diesem Regler wird die Lautstärke von Lautsprechern und Kopfhörer justiert. Den Regler im Uhrzeigersinn drehen, um die Lautstärke zu erhöhen. Beim Hören von Musik diesen Regler auf einen komfortablen Pegel einstellen.

16 Eingangswahlschalter (INPUT SELECTOR)

Diese Schalter dienen zur Wahl der gewünschten Programmquelle. Bei Drücken eines Schalters leuchtet die Anzeige darüber auf.

PHONO: Für Verwendung des an die Buchsen PHONO angeschlossenen Plattenspielers drücken. Danach ist der Schalter PHONO richtig einzustellen.

CD: Diesen Schalter bei Verwendung der an die CD-Buchsen angeschlossenen Compact-Disc-Spielers drücken.

TUNER: Diesen Schalter für Empfang von Rundfunksendungen mit dem an die TUNER-Buchsen angeschlossenen Tuner drücken.

TAPE-1: Diesen Schalter für Bandwiedergabe mit einem an die TAPE-1-Buchsen angeschlossenen Bandgerät drücken.

TAPE-2/PCM: Diesen Schalter bei Verwendung eines zweiten Bandgerätes oder PCM-Audioprozessors für Bandwiedergabe bzw. PCM-Audiowiedergabe drücken.

AUX: Diesen Schalter bei Verwendung der an die AUX-Buchsen angeschlossenen Komponente für Wiedergabe drücken.

* Achten Sie darauf, den gewünschten Schalter (nur einen!) fest zu drücken.

17 Spitzenpegelanzeige

Sie zeigt die Ausgangsleistung an, und ermöglicht Ihnen, die Lautstärke beim Regulieren zu überwachen. Die Ausgangsleistung wird in Watt angezeigt, wenn Lautsprecherboxen mit 8 Ohm Impedanz angeschlossen sind. Wenn die METER RANGE Schalter auf Position "x 1" steht, stimmen die Anzeigewerte mit der tatsächlichen Ausgangsleistung überein. Auf Position "x 10" wird der Anzeigebereich auf ein Zehntel der tatsächlichen Ausgangsleistung reduziert.

* Wenn die Impedanz anders als 8 Ohm ist, weicht die tatsächliche Ausgangsleistung von der auf der Anzeige angezeigten ab. Für korrektes Ablesen ist dann eine Umrechnung erforderlich. Das geschieht, indem man den angezeigten Wert mit 8 multipliziert und durch die Impedanz des angeschlossenen Lautsprechers teilt.

$$\text{Angezeigte Leistung (W)} \times \frac{8}{\text{Lautsprecherimpedanz (Ohm)}} = \text{Korrekte Leistung (W)}$$

Bedienungsverfahren

Vor Einschalten der Stromzufuhr

Drehen Sie zuerst den Regler VOLUME auf seine Minimalstellung, dann drücken Sie die Netztaete (POWER) zum Einschalten der Stromversorgung. Mit dem Einschalten wird die Schutzschaltung aktiviert, die für einige Sekunden wirksam bleibt, bis die Schaltungen im Geräteinneren einen stabilen Betriebszustand aufrechterhalten; währenddessen blinkt die Anzeige PROTECTOR. Solange die Schutzschaltung wirksam ist, voll betriebsbereit, sobald die Anzeige PROTECTOR aufhört zu blinken und stetig aufleuchtet.

Grundsätzliche Bedienung

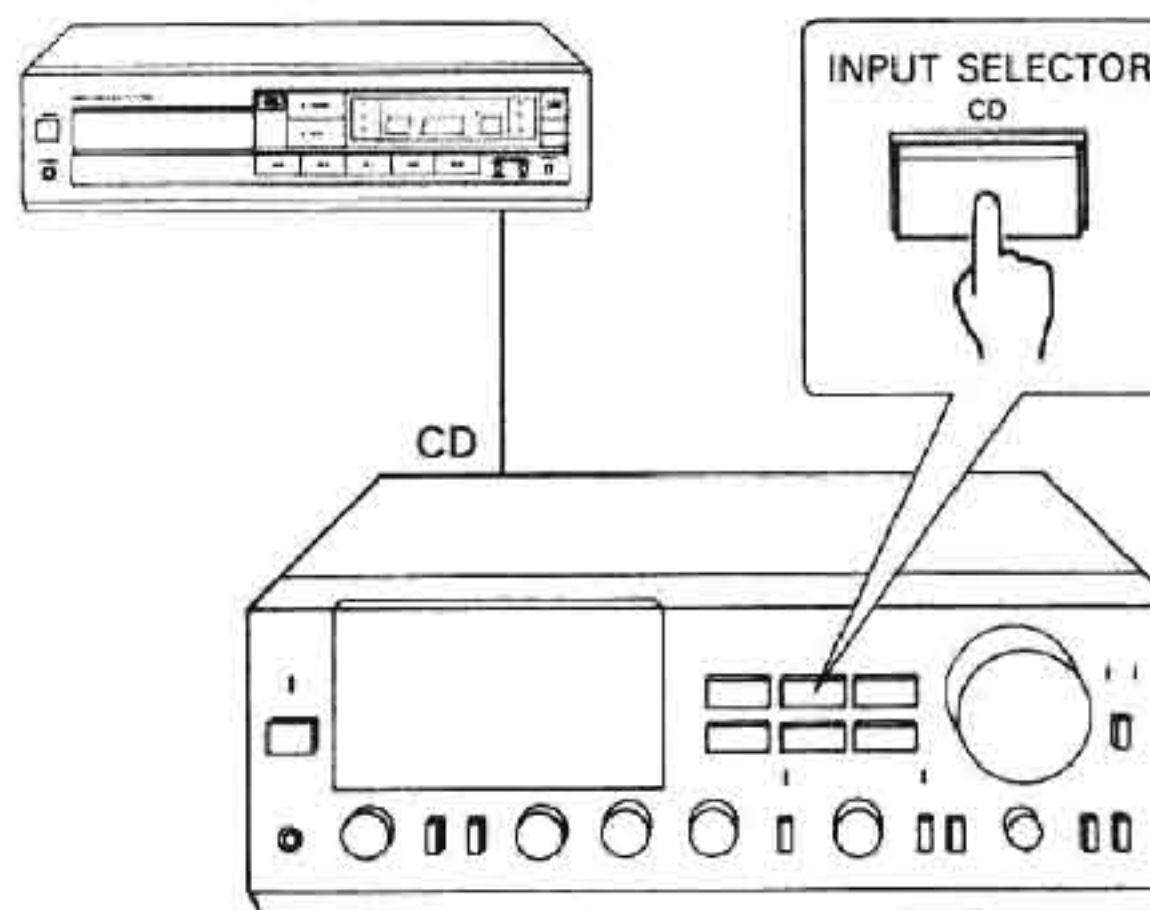
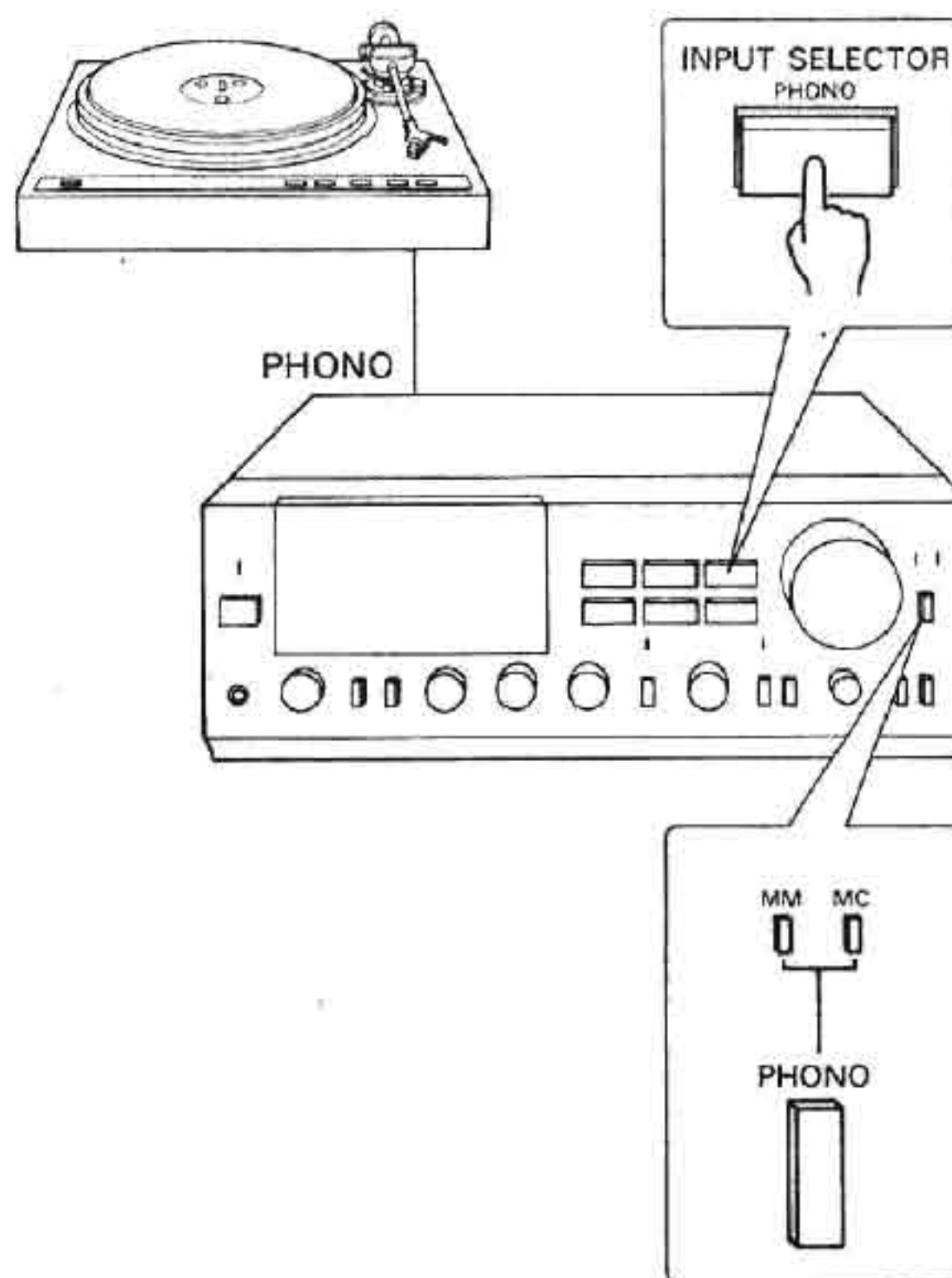
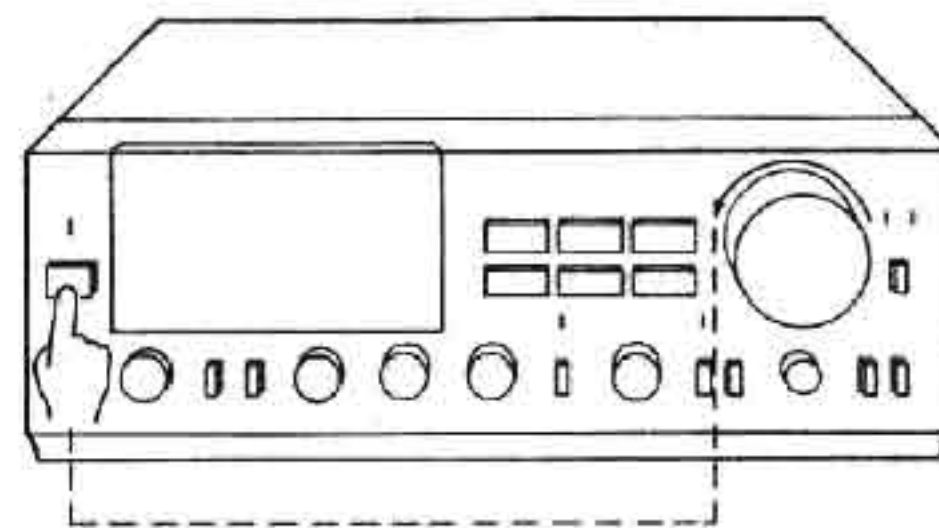
1. Wählen Sie das zu benutzende Lautsprecherpaar mit Hilfe des Schalters SPEAKERS. Wenn Sie über Kopfhörer hören wollen, stecken Sie den Stecker in die Buchse PHONES.
2. Den Schalter INPUT SELECTOR in Übereinstimmung mit der zum Hören vorgesehenen Programmquelle drücken.
Schallplatte: Den Schalter PHONO drücken und den Schalter PHONO (MM/MC) mit dem Tonabnehmersystem des Plattenspielers einstellen.
Compact-Disc: Den Schalter CD drücken.
Rundfunksendung: Den Schalter TUNER drücken.
Band: In Übereinstimmung mit dem verwendeten Bandgerät Schalter TAPE-1 bzw. TAPE-2/PCM drücken.
Eingang: Den Schalter AUX drücken.
3. Bedienen Sie das Gerät der Programmquelle.
4. Regulieren Sie die Lautstärke mit Hilfe des Reglers VOLUME. Die Taste MUTING ist zweckmäßig zum vorübergehenden Reduzieren der Lautstärke.
5. Stellen Sie mit Hilfe des Reglers BALANCE eine Klangbalance zwischen dem rechten und linken Kanal her.
6. Zum Beeinflussen der Klangqualität drücken Sie zuerst die Taste TONE, worauf die Kontrollampe durch Aufleuchten die Aktivierung der Klangregelschaltung anzeigt, dann betätigen Sie Regler BASS, MID.RANGE und TREBLE.

Schallplattenwiedergabe

1. Den Schalter INPUT SELECTOR PHONO drücken.
2. Stellen Sie die Schalter PHONO entweder auf MM oder MC.
* Wenn die Ausgangsspannung des verwendeten Tonabnehmers niedrig ist (weniger als 1 mV), stellen Sie die Taste auf MC; bei hoher Ausgangsspannung (mehr als 1 mV) stellen Sie die Taste auf MM.
3. Bedienen Sie den Plattenspieler, und spielen Sie die Schallplatte ab.
4. Stellen Sie Lautstärke, Balance und Klang nach Ihrem Geschmack ein.

Abspielen einer Compact-Disc

1. Den Schalter INPUT SELECTOR CD drücken.
2. Den Compact-Disc in Betrieb setzen und die Compact-Disc abspielen.
3. Lautstärke, Balance und Klangfarbe wunschgemäß justieren.



Hören von Radiosendungen

1. Den Schalter INPUT SELECTOR TUNER drücken.
 2. Den Tuner einschalten und auf den gewünschten Sender abstimmen.
 3. Stellen Sie Lautstärke, Balance und Klang nach Ihrem Geschmack ein.
- * Schwache UKW-Signale werden oft durch Zündungsfunken von Autos in der Nähe und andere Störungen beeinträchtigt. Für besseren UKW-Empfang wird deshalb die Installierung einer UKW-Außenantenne empfohlen. Verwenden Sie für den Anschluß der Antenne Koaxialkabel und nicht paralleles Antennenkabel.

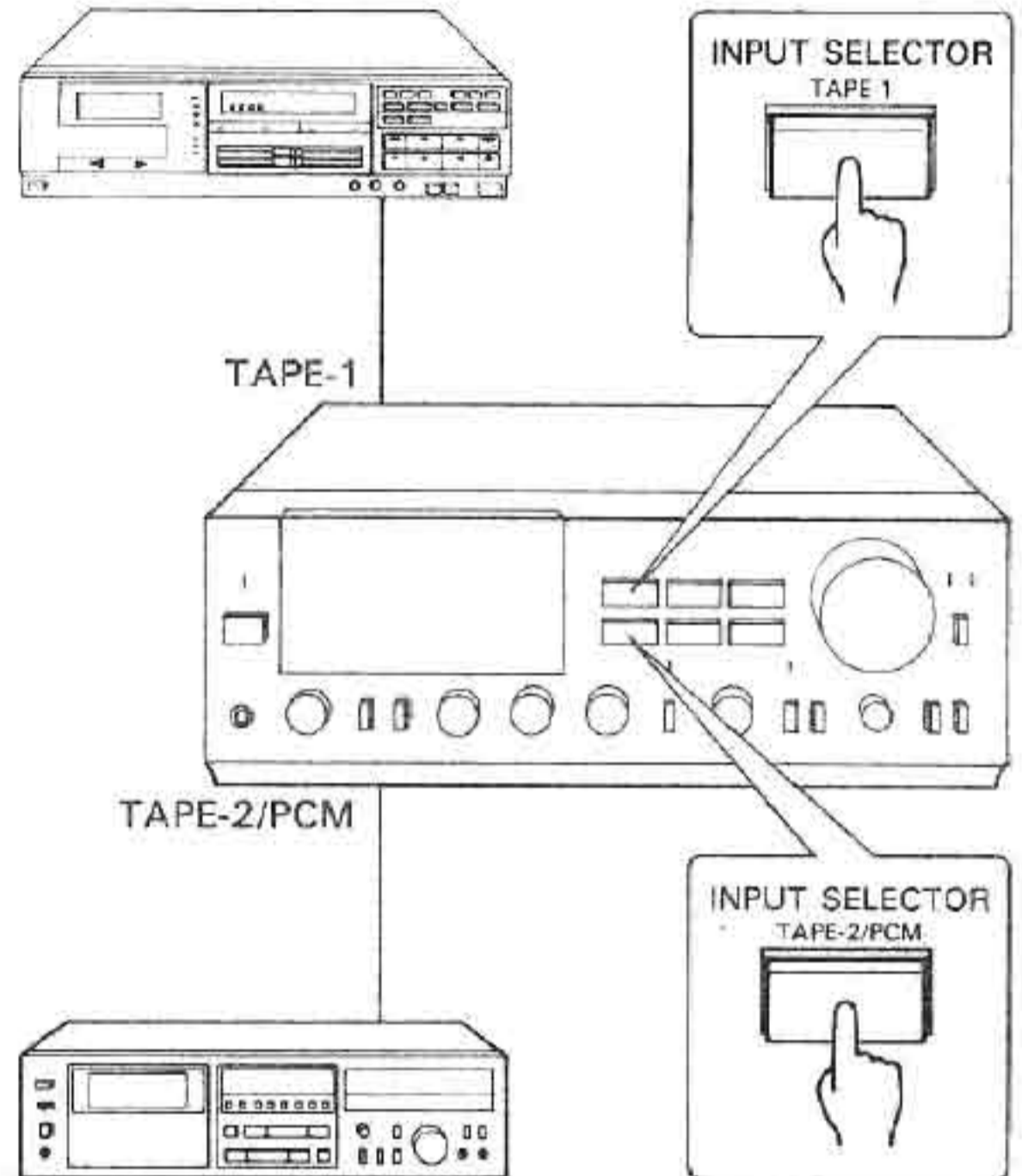
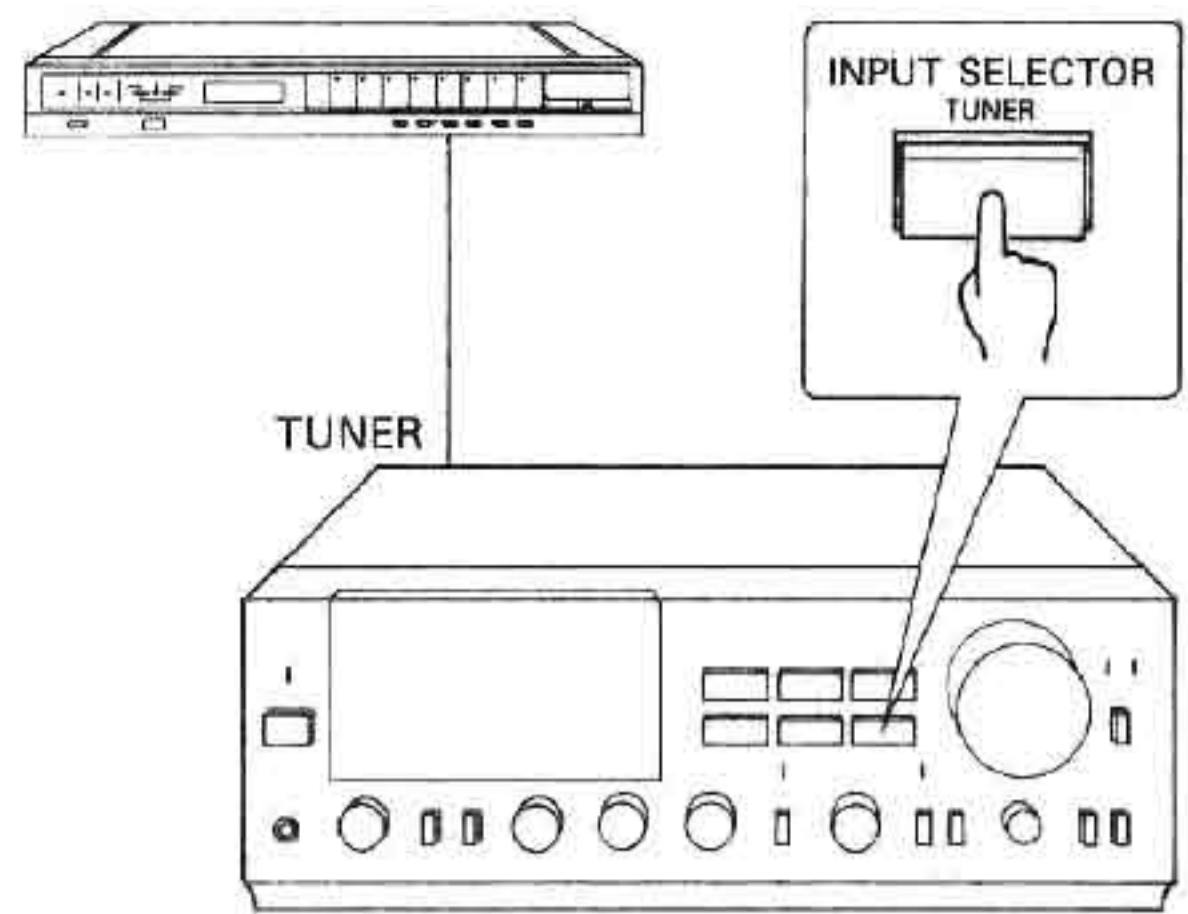
Tonbandwiedergabe

1. Den Schalter INPUT SELECTOR TAPE-1 oder TAPE-2/PCM drücken.
- * Wenn das Bandgerät an die TAPE-1-Buchsen angeschlossen ist, drücken Sie den TAPE-1-Schalter; wenn das Bandgerät an die TAPE-2/PCM-Buchsen angeschlossen ist, drücken Sie den TAPE-2/PCM-Schalter.
2. Bedienen Sie das Bandgerät, und spielen Sie das Band ab.
3. Stellen Sie Lautstärke, Balance und Klang nach Ihrem Geschmack ein.
- * Wenn Ihr Bandgerät schon längere Zeit benutzt wurde, wird die Klangqualität durch Ansammeln von Schmutz oder Oxidationsteilchen auf den Tonköpfen und der Capstanwelle usw. beeinträchtigt. Für optimale Bandwiedergabe lesen Sie bitte die Bedienungsanleitung Ihres Bandgerätes durch, und reinigen Sie die Tonköpfe regelmäßig.

Tonbandaufnahme

Schalplatten, Rundfunksendungen oder sonstige Programmquellen können von dem an die Buchsen TAPE REC angeschlossenem Bandgerät aufgenommen werden.

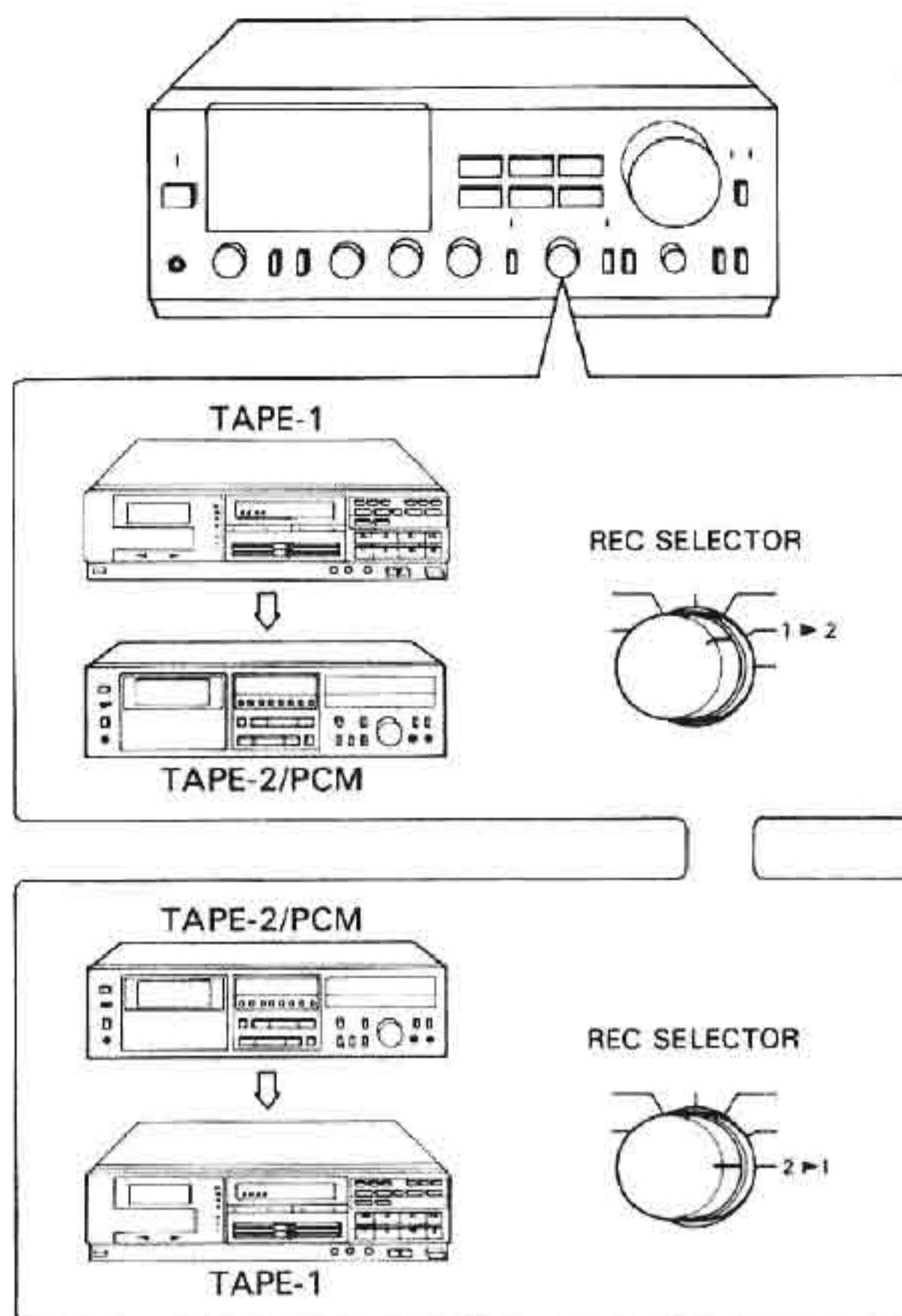
1. Den Schalter REC SELECTOR gemäß der Programmquelle, die aufgenommen werden soll, einstellen.
 2. Den Schalter INPUT SELECTOR auf die gewünschte Programmquelle drücken.
 3. Beginnen Sie mit dem Abspielen der Programmquelle.
 4. Bedienen Sie das Bandgerät, steuern Sie den Aufnahmepegel aus, und beginnen Sie mit der Aufnahme.
- * Regler VOLUME und Klangregler haben keinen Einfluß auf Lautstärke und Klang der aufzunehmenden Signale.
- * Die Funktionen des Schalters REC SELECTOR und des Schalters INPUT SELECTOR sind voneinander unabhängig. Es ist daher möglich, den Schalter INPUT SELECTOR während einer Aufnahme auf eine andere Position einzustellen, so daß eine andere Programmquelle gehört werden kann.



Überspielen von einem Tonband auf das andere

Zwei Bandgerät sind erforderlich, um den Inhalt eines bereits bespielten Tonbands auf ein anderes Band zu überspielen.

1. Stellen Sie den Schalter REC SELECTOR entweder auf 1 ► 2 oder 2 ► 1.
- * Wenn Sie von Bandgerät 1 auf Bandgerät 2 überspielen, stellen Sie den Schalter auf 1 ► 2; wenn Sie dagegen von Bandgerät 2 auf Bandgerät 1 überspielen wollen, stellen Sie ihn auf 2 ► 1.
2. Machen Sie die Bandgerät für Wiedergabe und Aufnahme betriebsbereit, und beginnen Sie mit der Aufnahme.
- * Es ist möglich, während des Überspielvorgangs eine andere Programmquelle über die Lautsprecher zu hören. Drücken Sie in diesem Fall den Schalter INPUT SELECTOR auf die gewünschte Programmquelle, welche Sie hören möchten.
- * Wenn Sie den Ton während des Überspielens mithören möchten, drücken Sie eine des Schalters TAPE-1 oder TAPE-2/PCM.



Technische Daten

Ausgangsleistung

Min. effektive, beide Kanäle betrieben, von 20 bis 20.000 Hz, mit nicht mehr als 0,003% Klirrgrad

160 Watt pro Kanal an 8 Ohm

Lastimpedanz 8 Ohm

Klirrgrad Weniger als 0,003% bei oder unter min. effektiver Nennausgangsleistung

Intermodulationsverzerrung (60 Hz: 7 kHz=4:1 SMPTE Methode)

..... Weniger als 0,003% bei Nennausgangsleistung

Frequenzgang (bei 1W)

Insgesamt (von AUX, CD, TUNER, TAPE PLAY-1, 2)..... DC bis 200.000 Hz
+0 dB, -3,0 dB

RIAA-Kurvenabweichung (PHONO-MM, 20 Hz bis 20 kHz)

..... +0,2 dB, -0,2 dB

Eingangsempfindlichkeit und Impedanz (bei 1 kHz)

PHONO (MC) 250 µV/100 Ohm
(Max. Eingangskapazität : 20 mV bei 1 kHz, weniger als 0,01% Klirrgrad)

PHONO (MM) 2,5 mV/47 kOhm
(Max. Eingangskapazität : 200 mV bei 1 kHz, weniger als 0,01% Klirrgrad)

CD, AUX 150 mV/47 kOhm

TUNER, TAPE PLAY-1,2 150 mV/47 kOhm

Ausgangspegel (1.000 Hz)

TAPE REC-1, 2 150 mV an 47 kOhm

Signal-Rauschspannungsabstand (IHF)

PHONO (MC) 70 dB

PHONO (MM) 88 dB

CD, AUX 110 dB

TUNER, TAPE PLAY-1,2 110 dB

Regler und Filter

BASS ±10 dB bei 50 Hz

MID RANGE ±10 dB bei 1 kHz

TREBLE ±10 dB bei 10 kHz

MUTING -20 dB

LOUDNESS +8 dB bei 50 Hz

(VOLUME auf -30 dB) +6 dB bei 10 kHz

FILTERS

LOW -3 dB bei 16 Hz (6 dB/oct)

HIGH -3 dB bei 10 kHz (6 dB/oct)

Stromversorgung

Netzspannung 120/220/240V (50/60 Hz)

Für USA und Kanada 120V (60 Hz)

Stromverbrauch 530 Watt 640 VA

Nennverbrauch 530 Watt

Maximaler Verbrauch

Abmessungen 430 mm Breite

160 mm Höhe

430 mm Tiefe

Gewicht 17,3 kg netto

19 kg verpackt

* Änderungen, die dem technischen Fortschritt dienen, bleiben vorbehalten.

* Wegen örtlicher Gesetze und Bestimmungen sind in einigen Gebieten verkaufte Gerät nicht mit einstellbaren Spannungswählern ausgestattet.

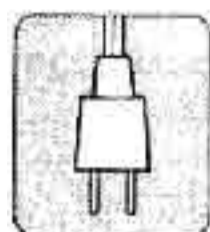
SANSUI desea agradecerle la compra de este fino producto de alta fidelidad. Antes de ponerlo en uso, nos permitimos sugerirle que lea detenidamente este manual de instrucciones, para familiarizarse con las precauciones a tener en cuenta, procedimientos de manejo y cada una de sus muchas ventajas.

Esto evitará que Vd. pueda dañarlo accidentalmente y le permitirá aprovechar al máximo todas sus cualidades y disfrutarlo por años y años de uso.

- * Con el objeto de simplificar las explicaciones, algunas veces las ilustraciones pueden diferir de los originales.

Precauciones

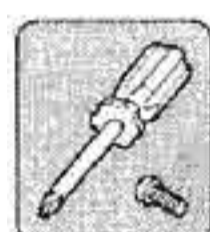
- * Tenga presenes los puntos siguientes.



Enchufe de la alimentación

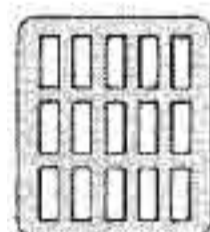
Para desconectar el cable de alimentación de la toma de la red eléctrica, tómelo siempre por la clavija no tire nunca del cable. No conecte ni desconecte nunca el cable con las manos mojadas, ya que podría recibir descargas eléctricas.

- * Acuérdesese de desconectar el enchufe de alimentación de la toma de la red cuando no tenga la intención de utilizar el aparato durante períodos prolongados de tiempo.



No extraiga la caja ni el panel inferior

Todas las inspecciones y ajustes del interior del aparato pueden ocasionar mal funcionamiento y descargas eléctricas. No toque ningún componente del interior. La garantía de SANSUI queda anulada si se deteriora el rendimiento del aparato debido a manipulaciones en su interior.



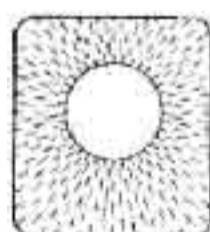
No bloquee los orificios de ventilación

No bloquee los orificios de ventilación de la parte superior del aparato, poniendo discos u otros objetos encima. Ello haría aumentar la temperatura del interior y ocasionar alguna avería o mal funcionamiento.



Interior del aparato

Si alguna pinza, moneda u otro objeto metálico penetra en el interior del aparato, o si se derrama agua sobre el aparato, desconecte inmediatamente el cable de alimentación de la toma de la red y lleve el aparato para su inspección al centro de servicio técnico SANSUI que le resulte más cercano o a la tienda donde lo adquirió. Si sigue utilizando el aparato puede originarse alguna avería o descargas eléctricas.



Precauciones para la instalación

No instalar el aparato en ninguno de los lugares siguientes porque podría deteriorarse su rendimiento u ocasionarse algún mal funcionamiento:

- * Lugares expuestos a la luz directa del sol o cerca de objetos que radian calor como puedan ser unidades de calefacción.
- * Lugares expuestos a la humedad.
- * Lugares mal ventilados expuestos al polvo y a la suciedad.
- * Lugares inestables, que no son perfectamente planos o que están sujetos a vibraciones.
- * En la parte superior de un amplificador de alta potencia, componentes de audio o de cualquier otro aparato que radie calor.



No frotarlo con disolventes

Frotar los paneles de vez en cuando con un paño suave. El empleo de cualquier clase de disolvente, alcohol o líquidos volátiles puede dañar la superficie, causando la caída de la pintura del exterior y borrando las marcas de la unidad, por lo que nunca deberán utilizarse.

No emplear insecticidas de aerosol cerca del aparato.

Alimentación

La tensión de este producto ha sido ajustada, según la tensión del país de destino, antes de su salida de fábrica.

Si este producto fuese a utilizarse en lugares donde la tensión fuese distinta, cerciorarse de consultar con el Centro de Servicio SANSUI autorizado más cercano.



CAUTION

RISK OF ELECTRIC SHOCK
DO NOT OPEN



PRECAUCION: PARA REDUCIR EL PELIGRO DE DESCARGAS ELECTRICAS, NO SACAR LA CUBIERTA (POSTERIOR). EN EL INTERIOR NO HAY PARTES QUE PUEDA REPARAR EL USUARIO. EL SERVICIO DEL APARATO LO DEBERA REALIZAR PERSONAL TECNICO CUALIFICADO.



La iluminación parpadea con un símbolo de flecha, dentro de un triángulo equilátero, para avisar al usuario de la presencia de "tensión peligrosa" no aislada dentro de la caja del aparato de una magnitud suficiente para constituir peligro de descargas eléctricas para las personas.



El punto de exclamación de dentro del triángulo equilátero es para avisar al usuario de la presencia de instrucciones importantes de operación y mantenimiento (servicio) en los manuales que se sirven con el aparato.

Sólo para el Reino Unido

Importante

Los conductores de este cable de alimentación tienen colores de acuerdo con el código siguiente:

Azul: Neutro

Marrón: Activo

Si los colores de los conductores del cable de alimentación de este equipo no correspondieran con las marcas de colores que identifican los terminales de su clavijam proceder del modo siguiente:

El conductor de color **azul** debe conectarse al terminal que está marcado con la letra 'N' o sea de color negro.

El conductor de color **marrón** debe conectarse al terminal marcado con la letra 'L' o sea de color rojo.

Cerciorarse de que el equipo esté correctamente conectado. Si tiene alguna duda, consulte a un electricista cualificado.

Para los equipos adquiridos fuera del Reino Unido con clavija "EUROPEA" de dos terminales, deberá sacarse la clavija y efectuarse las conexiones de acuerdo con las instrucciones arriba mencionadas. Cerciorarse también de que el equipo esté correctamente ajustado para operación con 240 voltios.

Si tiene alguna duda, consulte a un electricista cualificado o a nuestro agente de servicio en el Reino Unido.

Este aparato disipa el calor mejor cuando se instala sobre una superficie plana. No ponerlo sobre uno de sus lados.

Conexiones

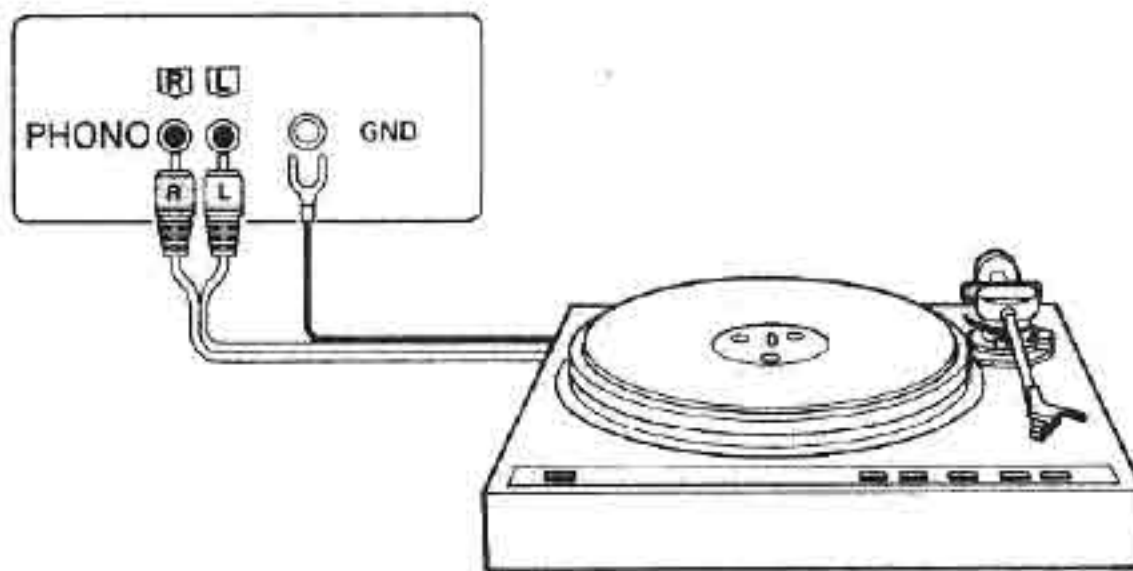
Referirse al diagrama de conexiones de la página 3 mientras se lee lo siguiente.

Precauciones con las conexiones

- * Cuando se efectúen las conexiones, desenchufar el cable de alimentación de la toma de la red o desconectar la alimentación del aparato con el interruptor POWER.
- * Antes de efectuar las conexiones, leer todo el manual de instrucciones de los demás componentes de audio que se conectarán a este aparato.
- * Comprobar los canales izquierdo y derecho y conectarlos correctamente (L con L y R con R).
- * Insertar a fondo las clavijas. Las malas conexiones pueden ocasionar ruido.

Giradiscos

Conectar la clavija izq. (L) (blanca) del cable de salida del giradiscos al terminal L PHONO, y el terminal R (der.) (rojo) al terminal R. Si el giradiscos está provisto de un cable de masa, conectarlo al terminal GND del aparato, pero desconectarlo si se aprecia un aumento del ruido.

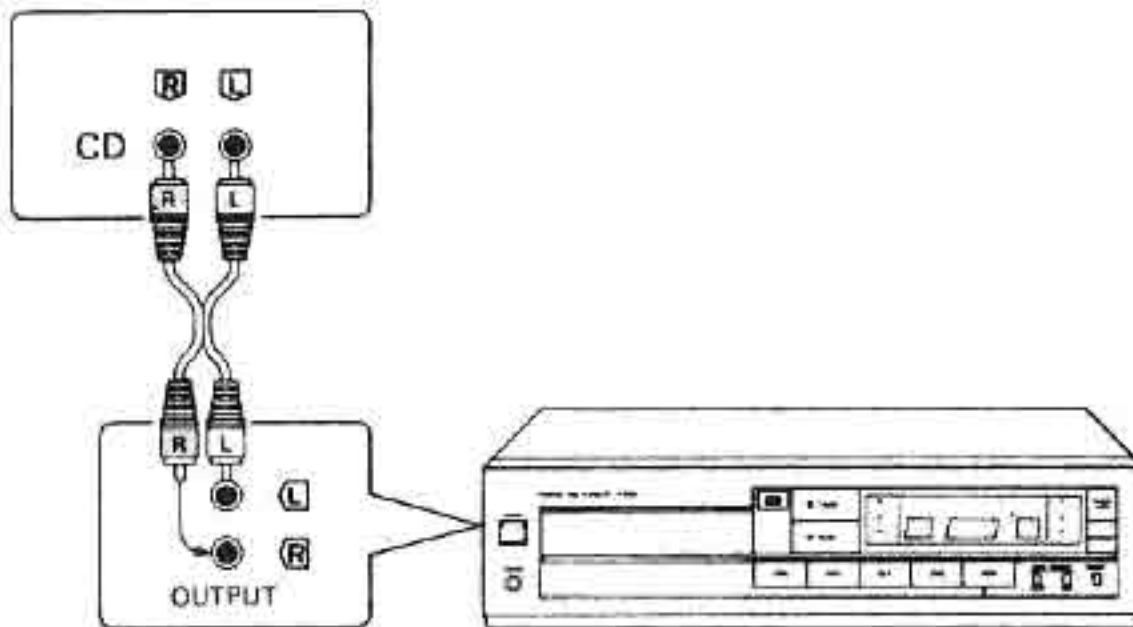


Tocadiscos compacto

Cuando se utiliza un tocadiscos compacto (SANSUI PC-V1000, etc.), debe conectarse a los terminales CD.

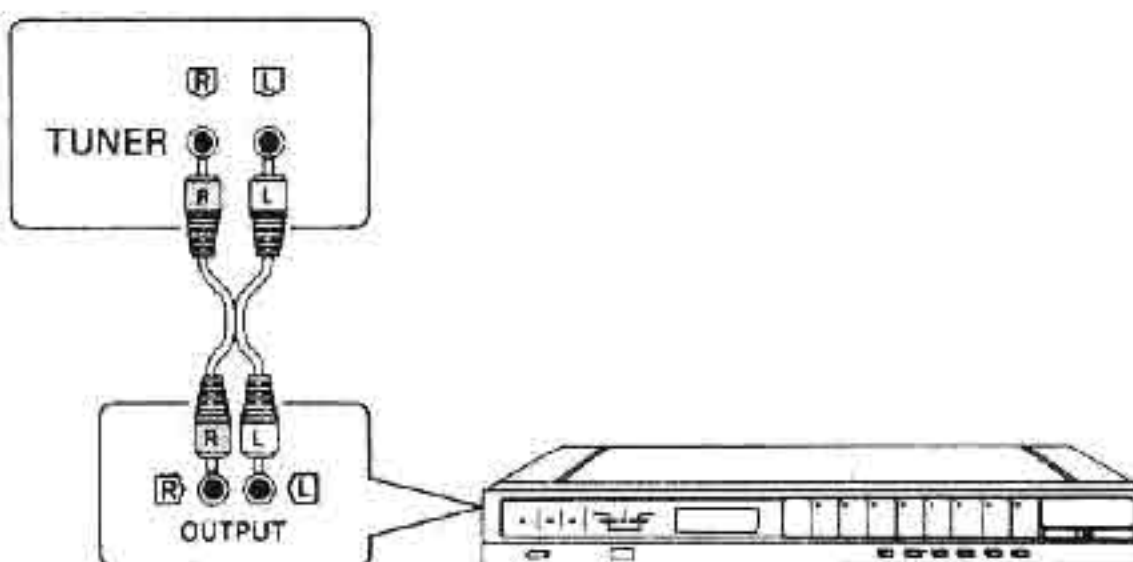
Emplear un cable de clavijas para conectar los terminales CD a los terminales de salida del tocadiscos compacto.

- * Los terminales CD tienen las mismas especificaciones eléctricas que los terminales TUNER y TAPE PLAY.



Sintonizador

Conectar los terminales TUNER con los terminales OUTPUT del sintonizador empleando un cable con clavijas.

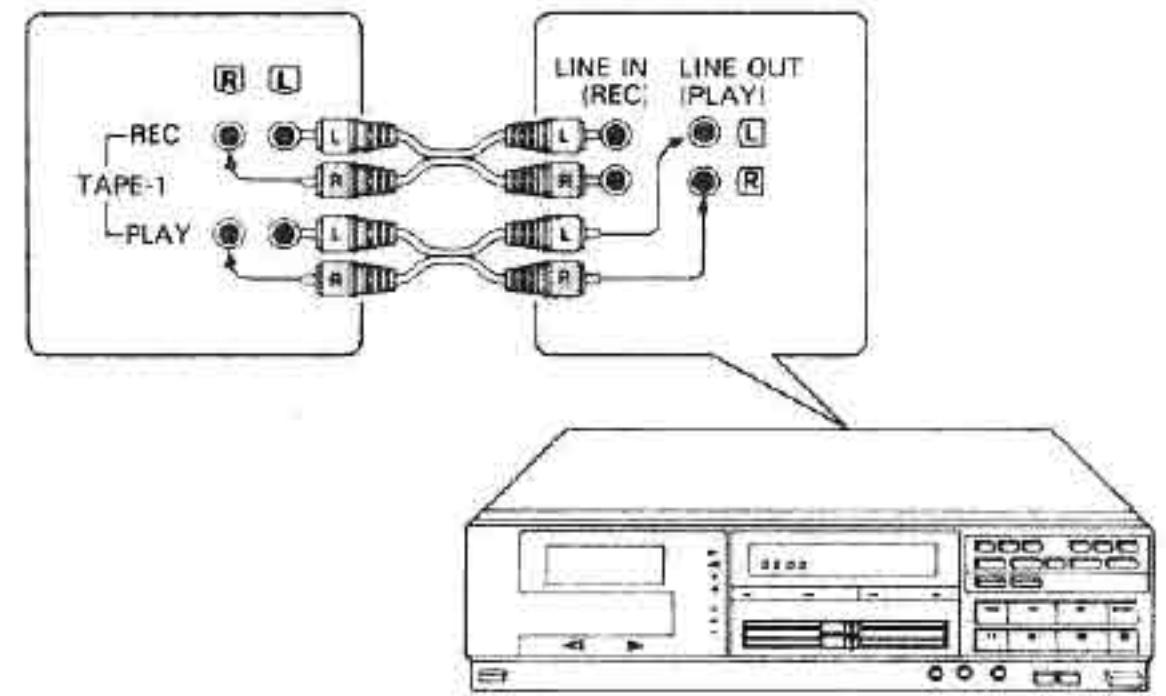


Magnetófono

Cuando sólo se utiliza un magnetófono, conectarlo a los terminales TAPE-1. Puede conectarse un segundo magnetófono a los terminales TAPE-2/PCM, pudiendo efectuar de este modo grabaciones o copiado de cintas de forma simultánea.

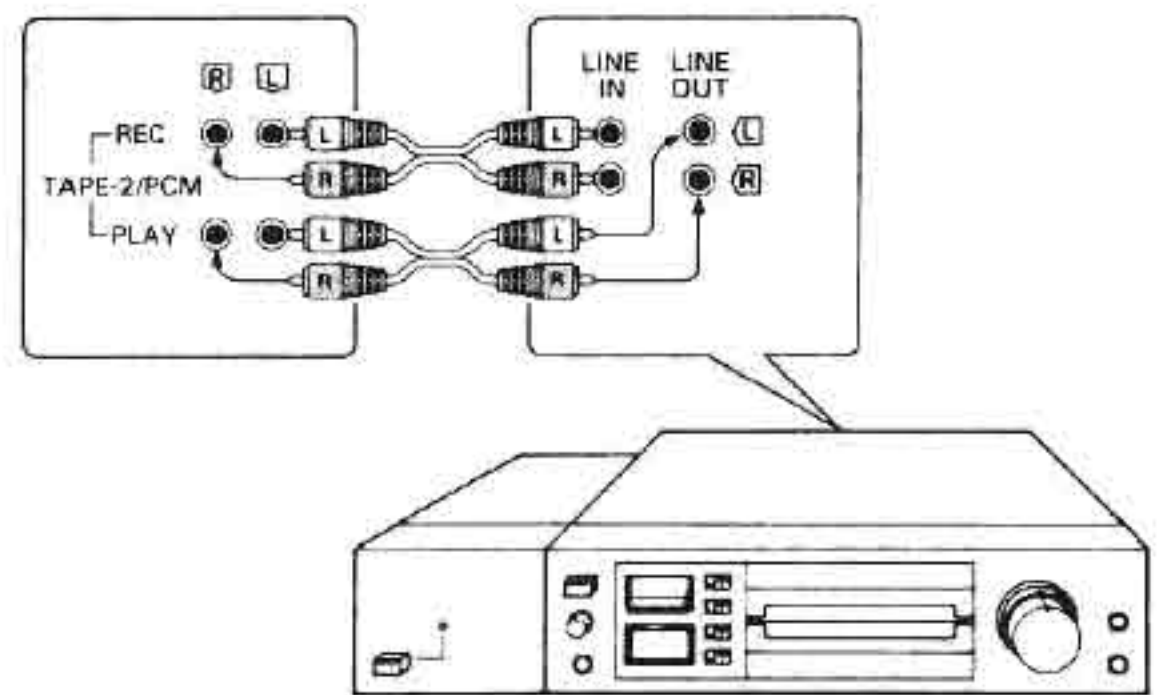
Conexiones para grabación: Conectar los terminales de grabación de cintas (REC) con los terminales de entrada para grabación (LINE IN) del magnetófono empleando cable con clavijas.

Conexiones para reproducción: Conectar los terminales de reproducción de cintas (PLAY) con los terminales de salida de reproducción (LINE OUT) del magnetófono empleando el cable con clavijas.



Procesador de sonido PCM

Cuando se utilice un procesador de sonido PCM (SANSUI PC-X1, etc.), conectarlo a los terminales TAPE-2/PCM. Emplear un cable con clavijas para conectar los terminales TAPE-2/PCM REC con los terminales LINE IN del procesador de sonido PCM, y conectar otro cable con clavijas entre los terminales TAPE-2/PCM PLAY del aparato y los terminales LINE OUT del procesador de sonido.



Terminales de componente auxiliar (AUX)

Los terminales de entrada de componente auxiliar (AUX) tienen el mismo rendimiento eléctrico que los terminales para sintonizador o magnetófono. Emplearlos para conectar un segundo sintonizador estereofónico o reproductor de cintas. Conectar los terminales AUX con los terminales OUTPUT del componente empleando un cable con clavija.

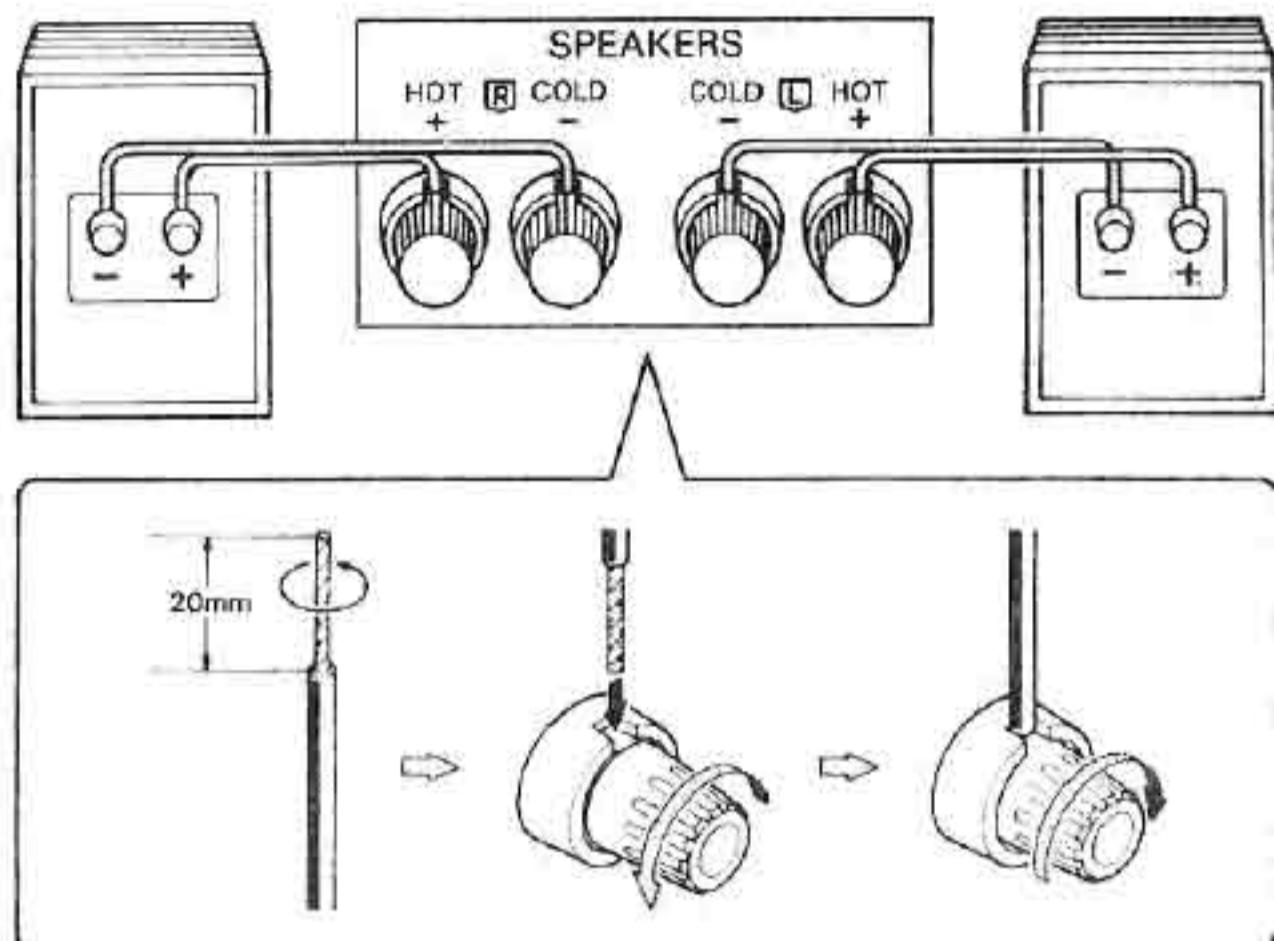
Sistemas de altavoces

Hay dos juegos de terminales para la conexión de altavoces (SPEAKERS), el SYSTEM-A y el SYSTEM-B. Cuando sólo se utilicen un par de altavoces, conectarlos a los terminales SYSTEM-A.

Conectar los terminales de altavoz (+) a los terminales rojos (+) del sistema de altavoces, y los terminales de altavoz (-) a los terminales negros (-). Si no se respetan correctamente estas polaridades, el sonido de los instrumentos perderá calidad y no se obtendrá el verdadero efecto estereofónico.

* Cuando se efectúen las conexiones, no dejar que el conductor de los cables de altavoz quede expuesto afuera de los terminales poniéndose en contacto con otros terminales.

* Puesto que la etapa de salida es en forma de puente, los terminales negativos (-) de los altavoces (SPEAKERS) no deben conectarse en común, tampoco deben conectarse con el terminal de masa (GND) (chasis) de los demás componentes.



Acerca de la impedancia del sistema de altavoces

Cuando se conectan dos sistemas de altavoces a los terminales SYSTEM-A y SYSTEM-B y se utilizan por separado, su impedancia nominal puede ser de 4 a 16 ohmios, pero cuando ambos sistemas se utilizan al mismo tiempo (A + B), la impedancia nominal de ambos sistemas deberá ser de 8 ohmios o más.

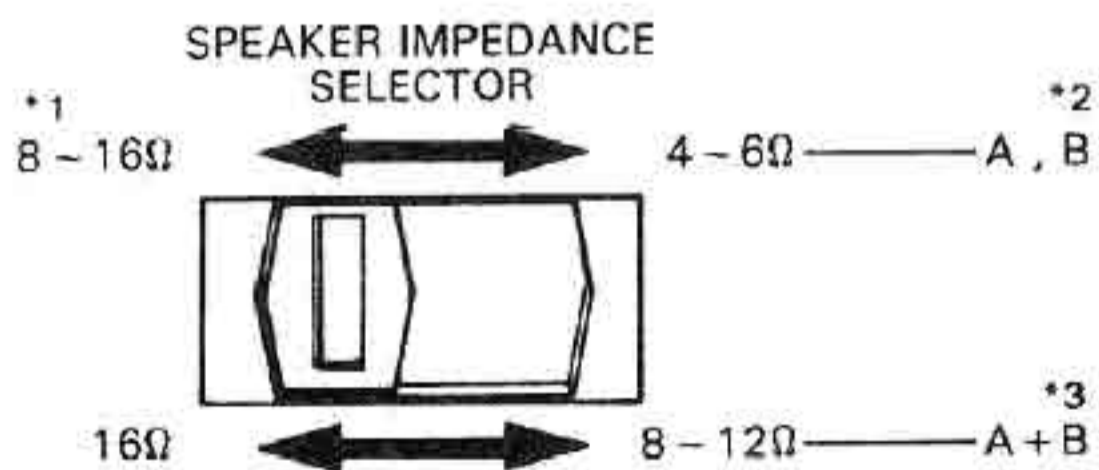
Si aunque uno sólo de los sistemas que tiene una impedancia de menos de 8 ohmios, el circuito protector puede activarse durante la reproducción, o puede ocasionarse algún mal funcionamiento.

Selector de impedancia de altavoces (SPEAKER IMPEDANCE SELECTOR)

Este selector, situado en el panel posterior, debe ajustarse a la impedancia nominal de los sistemas de altavoces conectados al aparato.

* La impedancia se muestra en los mismos altavoces o en su manual de instrucciones.

Si este selector no está correctamente ajustado, no se logrará una salida total de potencia o puede producirse calor anormal.



*1: Impedancia nominal del sistema de altavoces.

*2: Cuando sólo se utiliza un par de altavoces conectados a los terminales SPEAKERS de SYSTEM-A o de SYSTEM-B.

*3: Cuando se utilizan ambos pares de altavoces conectados a los terminales SPEAKERS de SYSTEM-A y de SYSTEM-B.

Tomas de CA

Este aparato está provisto de tomas de CA auxiliares, que son de gran utilidad para la conexión de un sintonizador, magnetófono o giradiscos para proporcionar su alimentación eléctrica.

SWITCHED (capacidad de 100 W): La alimentación de los componentes conectados se conecta y desconecta accionando el interruptor POWER de este aparato.

UNSWITCHED (capacidad total de 250 W): La alimentación se suministra a los componentes conectados independientemente de la posición del interruptor POWER del aparato.

Es muy peligroso conectar un aparato eléctrico cuyo consumo de energía excede la capacidad especificada. Antes de conectar otros aparatos o componentes, comprobar su consumo de antemano.

* Por las tomas de CA circula alta tensión, por lo que no deben insertarse pinzas ni demás objetos metálicos porque provocarían descargas eléctricas. No deberá permitirse a los niños que jueguen con estas tomas.

NOTA: Dependiendo de las leyes y regulaciones del país de destino, algunas zonas reciben aparatos desprovistos de estas tomas de CA. También, dependiendo del país de destino, la forma y capacidad de estas tomas de CA pueden ser distintas.

IMPORTANTE

Antes de conectar el cable de alimentación a la toma de la red

La tensión del aparato se ha ajustado a la del país de destino a 120V, 220V ó 240V CA. Dependiendo de las leyes y regulaciones del país de venta, algunos aparatos deben ajustarse sólo a 120V, mientras que otros pueden funcionar con tensiones distintas que pueden seleccionarse con un selector de tensión (VOLTAGE SELECTOR). Antes de conectar la alimentación del aparato, cerciorarse siempre de que coincidan la tensión del aparato y la de la red eléctrica. Si el aparato se ha conectado a una fuente de alimentación con tensión excesiva, pueden ocasionarse incendios o averías.

Aparatos sin selector de tensión

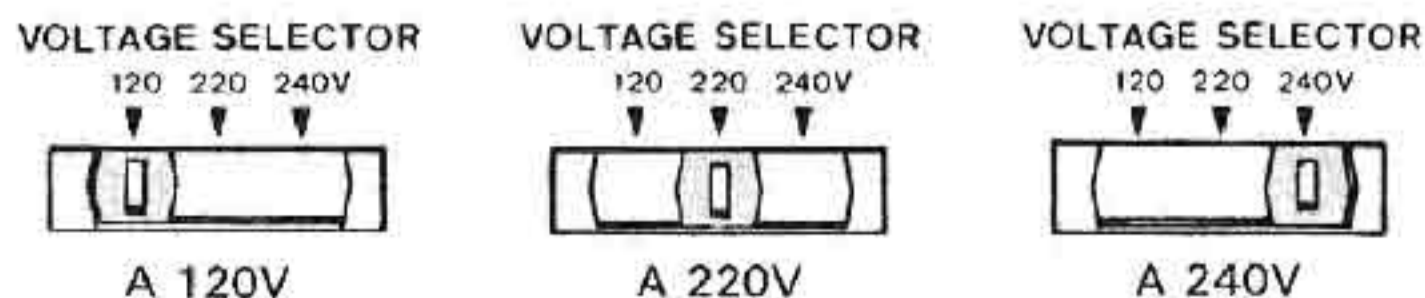
Los aparatos exclusivamente diseñados para tensión de 120V CA no tienen selector de tensión en el panel posterior. Por lo tanto, no pueden utilizarse en lugares que no sean de 120V CA. Si se desea utilizar el aparato con otras tensiones, solicitar consejo al centro de servicio o tienda distribuidora más cercana.

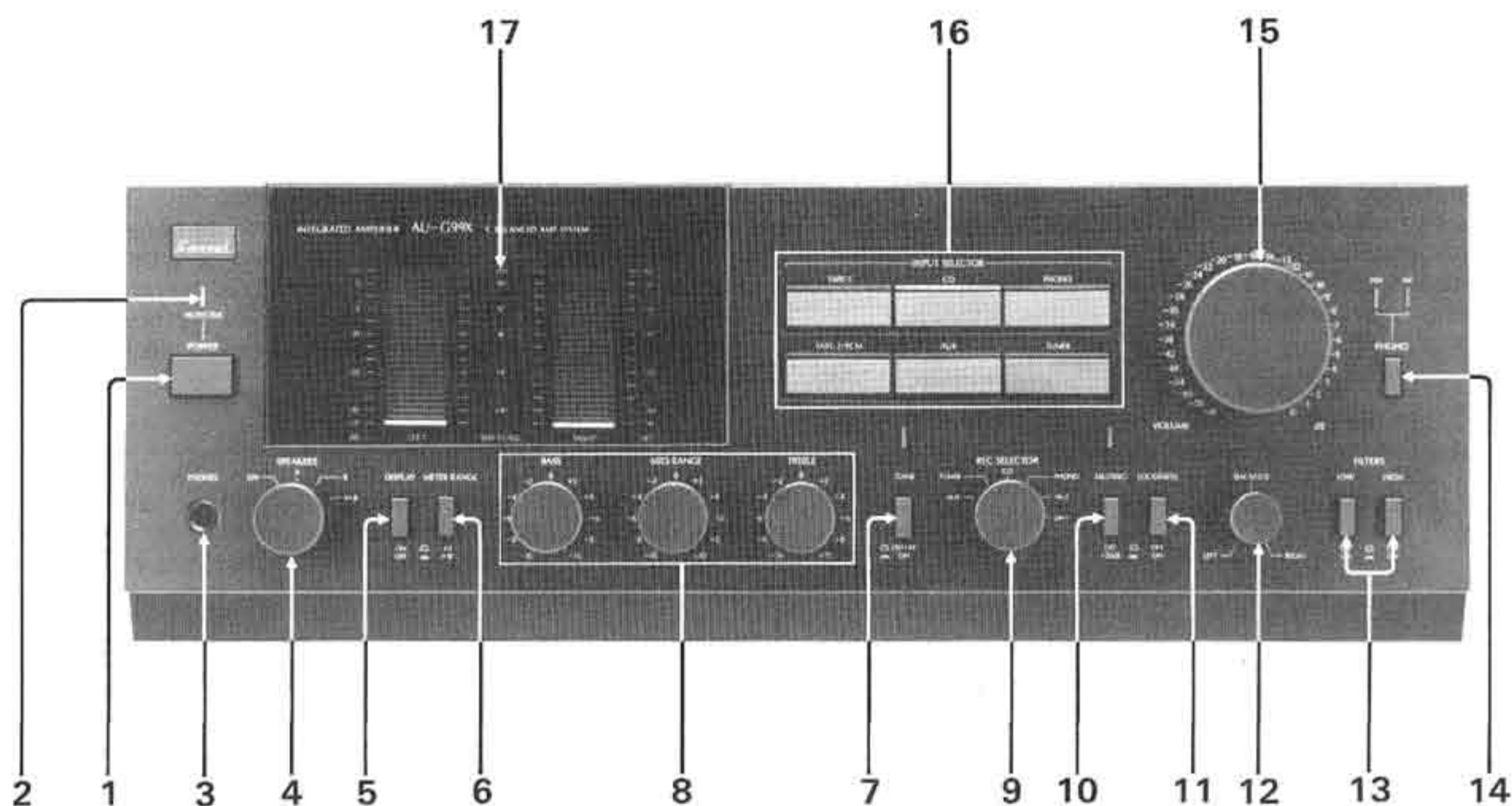
Aparato con selector de tensión

Los aparatos con selector de tensión están ajustados al valor de la tensión del país de destino antes de su embarque, pero siempre se deberá comprobar que está ajustado el valor de la tensión correcta antes de enchufar el cable de alimentación a la toma de la red eléctrica. Si la tensión del selector no corresponde con la de la red, ajustar correctamente el selector de tensión (VOLTAGE SELECTOR) al valor adecuado siguiendo el procedimiento siguiente.

* Aparatos con selector de tensión (VOLTAGE SELECTOR) de 120V/220V/240V en el panel posterior

Estos aparatos se ajustan a 120V, 220V ó 240V con el selector de tensión (VOLTAGE SELECTOR), situado en el panel posterior. Para cambiar la tensión, emplear un destornillador de cabeza plana o dispositivo similar para deslizar el selector.





1 Interruptor de la alimentación (POWER)

2 Indicador del circuito protector (PROTECTOR)

La alimentación se suministra al amplificador cuando se presiona este interruptor, parpadeando su indicador. Después de varios segundos, el indicador deja de parpadear y permanece iluminado para indicar que el amplificador ha quedado preparado para la operación. Al soltar el interruptor se desconecta la alimentación.

* No se oirá ningún sonido por los altavoces mientras el indicador esté parpadeando. Si el indicador empieza a parpadear durante la operación, significa que se ha activado el circuito protector incorporado debido a algún problema en el interior del amplificador.

3 Toma de auriculares (PHONES)

Esta es la toma para auriculares. Conectar la clavija de unos auriculares estereofónicos para la audición privada. Ajustar el volumen de modo que no dañe los oídos cuando se utilicen los auriculares.

* Si no se tiene la intención de utilizar los auriculares, cerciorarse siempre de que estén desenchufados.

4 Selector de altavoces (SPEAKERS)

Es para seleccionar el sistema de altavoces por el que se desea oír el sonido.

OFF: Para conectar el sonido de los altavoces mientras se escucha con auriculares.

A: Para activar los altavoces conectados a los terminales SPEAKERS de SYSTEM-A.

B: Para accionar los altavoces conectados a los terminales de SYSTEM-B.

A + B: Para activar ambos sistemas de altavoces, A y B.

* Ajustar el selector de impedancia de altavoces (SPEAKER IMPEDANCE SELECTOR), del panel posterior del aparato, de acuerdo con la impedancia nominal de los altavoces que se utilizan. Tener especialmente cuidado cuando se emplee la posición "A + B".

5 Interruptor del indicador (DISPLAY)

Este interruptor activa y desactiva la indicación de potencia de salida del indicador de potencia de picos. Presionarlo a la posición ON para monitorizar la potencia de salida en el indicador.

6 Selector del medidor (METER RANGE)

El selector METER RANGE se utiliza para cambiar el margen de medición entre dos niveles. Seleccionar la posición que ofrezca el margen de medición en el que resulte más fácil monitorizar la potencia de salida.

7 Interruptor de tono (TONE)

Al presionar este interruptor, pueden girarse los controles de tono para ajustar el sonido, y se ilumina el indicador para indicar que puede ajustarse el sonido.

8 Controles de tono (TONE)

La calidad del sonido puede ajustarse operando estos controles mientras el indicador de tono está iluminado.

Girando el control de graves (BASS) hacia la derecha, partiendo de la posición "0", se acentúan las bajas frecuencias, y girándolo hacia la izquierda, se atenúan dichas frecuencias.

Girando el control de medios (MID RANGE) hacia la derecha, partiendo de la posición "0", se acentúan las frecuencias medias, y girándolo hacia la izquierda, se atenúan dichas frecuencias.

Girando el control de agudos (TREBLE) hacia la derecha, partiendo de la posición "0", se acentúan las altas frecuencias, y girándolo hacia la izquierda, se atenúan dichas frecuencias.

* Los controles de tono serán inefectivos cuando el indicador de tono esté apagado.

9 Selector de grabación (REC SELECTOR)

Este control es para seleccionar la fuente de sonido que se desea grabar en cintas. Con este control, pueden efectuarse las grabaciones independientemente del ajuste de los selectores INPUT SELECTOR.

AUX: Para grabar las señales del componente conectado a los terminales AUX.

TUNER: Para grabar radiodifusiones recibidas con el sintonizador conectado a los terminales TUNER.

CD: Para grabar del tocadiscos compacto conectado a los terminales CD.

PHONO: Para grabar discos con el giradiscos conectado a los terminales PHONO.

1 ▶ 2: Para grabar del magnetófono conectado a los terminales TAPE-1 al magnetófono conectado a los terminales TAPE-2/PCM.

2 ▶ 1: Para grabar del magnetófono conectado a los terminales TAPE-2/PCM al magnetófono conectado a los terminales TAPE-1.

10 Interruptor de silenciamiento (MUTING)

Este interruptor corta el volumen en 20 dB. Presionarlo cuando se desee reducir momentáneamente el volumen; se iluminará su indicador y se silenciará el sonido. Al soltarlo, se apaga su indicador y el sonido se repone al nivel de volumen original. Téngase presente que el volumen aumenta subitamente.

11 Conmutador de sonoridad (LOUDNESS)

El oído humano tiene la particularidad de que decae la respuesta en altas y bajas frecuencias por lo que los graves, media y los agudos resultan difíciles de escuchar cuando se oye a bajos niveles de volumen. En tales condiciones, el sonido parece tener poca fuerza, pero al presionar el conmutador de sonoridad (LOUDNESS), dejándolo en la posición ON, los graves, media y los agudos se acentúan para ofrecer un efecto más equilibrado. La respuesta en frecuencia es plana cuando el conmutador está suelto en la posición OFF.

12 Control de balance (BALANCE)

El volumen de los altavoces izquierdo y derecho puede ajustarse con el control BALANCE. A media que se gira el control hacia la izquierda, partiendo de su posición central, el sonido del altavoz izquierdo pasa a ser más alto que el del altavoz derecha, y viceversa. Ajustar de modo que se escuche el sonido de los altavoces izquierdo y derecho con el mismo nivel de volumen desde la posición de audición.

13 Interruptores de filtros (FILTERS)

LOW: Este interruptor atenúa las frecuencias bajas más allá de la gama de frecuencia audible. Presionando este interruptor, se atenúa el ruido de la gama ultrabaja generado por el alabeo de los discos u otros factores y que es la causa de distorsión de intermodulación que afecta negativamente a la calidad del sonido. Cuando se presione de nuevo y quede liberado, el interruptor queda ajustado en la posición OFF.

HIGH: Al presionar este interruptor, se corta la gama de altas frecuencias. Ponerlo en esta posición cuando se aprecie mucha cantidad de ruido, debido a las rayas de un disco, o ruido de altas frecuencias durante la recepción de AM.

* Ponerlo en la posición OFF cuando no se requiera la activación del filtro.

14 Selector de giradiscos (PHONO)

Ajustar este selector de acuerdo con la tensión de salida de la cápsula que tenga instalada su giradiscos. El indicador se iluminará de acuerdo con la posición seleccionada.

MM: Presionar este selector cuando se utilice una cápsula de alta salida (1 mV o más).

MC: Presionar este selector cuando se utilice una cápsula de baja salida (menos de 1 mV).

15 Control de volumen (VOLUME)

Este control es para ajustar el volumen de los altavoces o auriculares. El sonido se aumenta girándolo hacia la derecha. Escuchar la música y ajustarlo a un nivel agradable de audición.

16 Selectores de entrada (INPUT SELECTOR)

Estos selectores son para seleccionar la fuente de sonido deseada. Cuando se presiona un selector, se ilumina su indicador, situado encima del mismo.

PHONO: Presionar este selector para la audición de discos con el giradiscos conectado a los terminales PHONO.

Después de haber presionado este selector, ajustar el selector PHONO correctamente.

CD: Presionar este selector cuando se desee escuchar el tocadiscos compacto conectado a los terminales CD.

TUNER: Presionar este selector para escuchar las radiodifusiones del sintonizador conectado a los terminales TUNER.

TAPE-1: Presionar este selector para reproducir cintas en el magnetófono conectado a los terminales TAPE-1.

TAPE-2/PCM: Presionar este selector cuando se utilice un segundo magnetófono o un procesador de sonido PCM conectados a los terminales TAPE-2/PCM, para la reproducción de cintas o reproducción de sonido PCM.

AUX: Presionar este selector cuando se utilice el componente conectado a los terminales AUX para su reproducción.

* Cerciorarse de presionar a fondo el selector deseado (sólo uno).

17 Indicador de potencia pico

Indica la salida de potencia, por lo que deberá mirarse el indicador para ajustar el volumen. Cuando se utilizan altavoces con una impedancia de 8 ohmios se indica la potencia de salida en vatios. Cuando se pone el METER RANGE en la posición "× 1", el margen del indicador es el mismo que los valores indicados. Cuando se pone en la posición "× 10", el margen del indicador se reduce a una décima parte del valor indicado.

* Cuando los altavoces no son de 8 ohmios de impedancia, la salida de potencia real diferirá de la salida mostrada en el indicador. La conversión será entonces necesaria para corregir las indicaciones. Para ello, habrá que multiplicar el valor rojo por 8, y dividirlo por la impedancia de los altavoces conectados.

$$\text{Potencia indicada (vatios)} \times \frac{8}{\text{Impedancia de los altavoces (ohmios)}} = \text{Potencia correcta (vatios)}$$

Procedimientos de operación

Antes de conectar la alimentación

Poner en primer lugar el control **VOLUME** en la posición mínima, y luego presionar el interruptor **POWER** para conectar la alimentación.

Después de haberse conectado la alimentación, se activa el circuito protector hasta que los circuitos del interior del aparato se estabilizan, y parpadea durante algunos segundos el indicador **PROTECTOR**. Mientras el circuito protector está activado, no se oye sonido alguno por los altavoces. El amplificador queda preparado para la operación cuando el indicador **PROTECTOR** deja de parpadear y permanece iluminado.

Operación básica

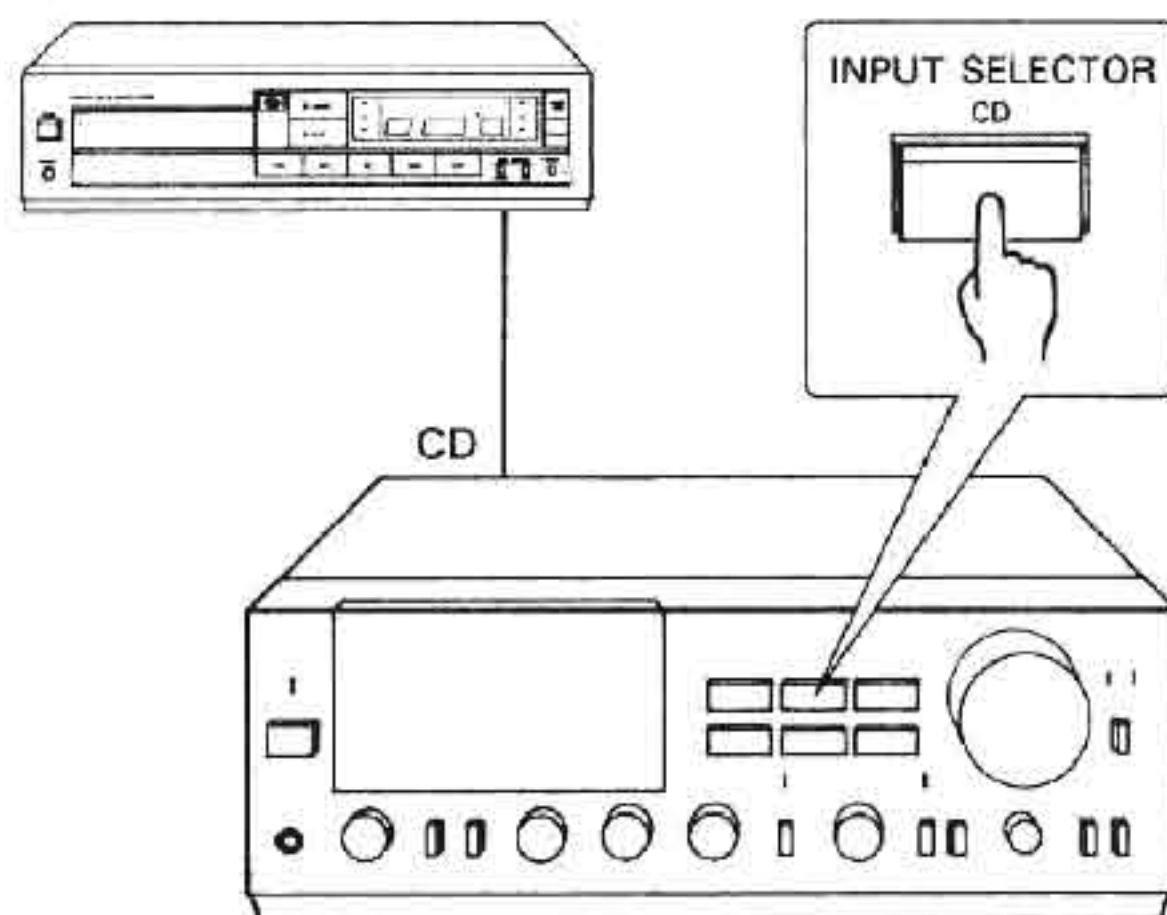
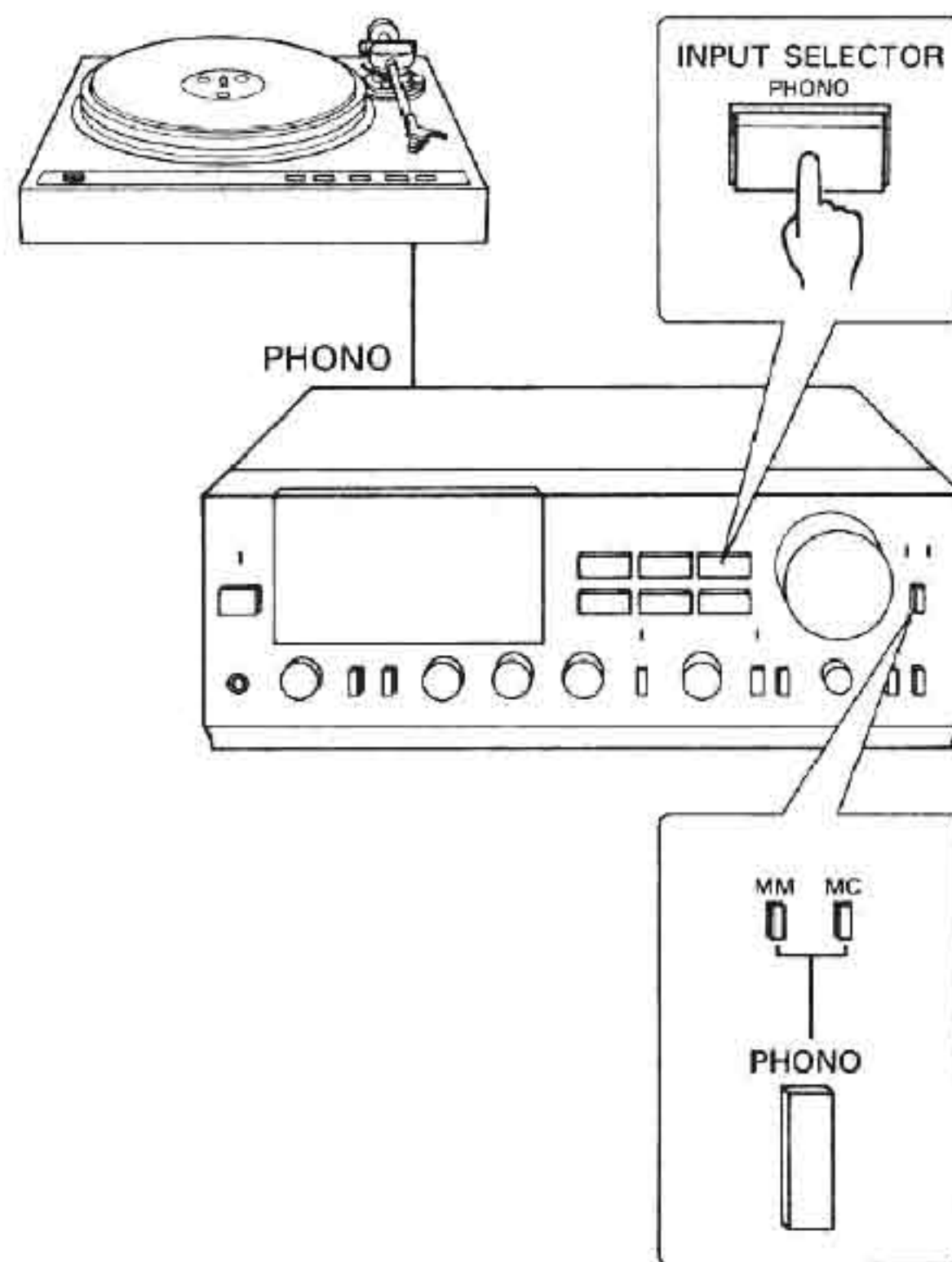
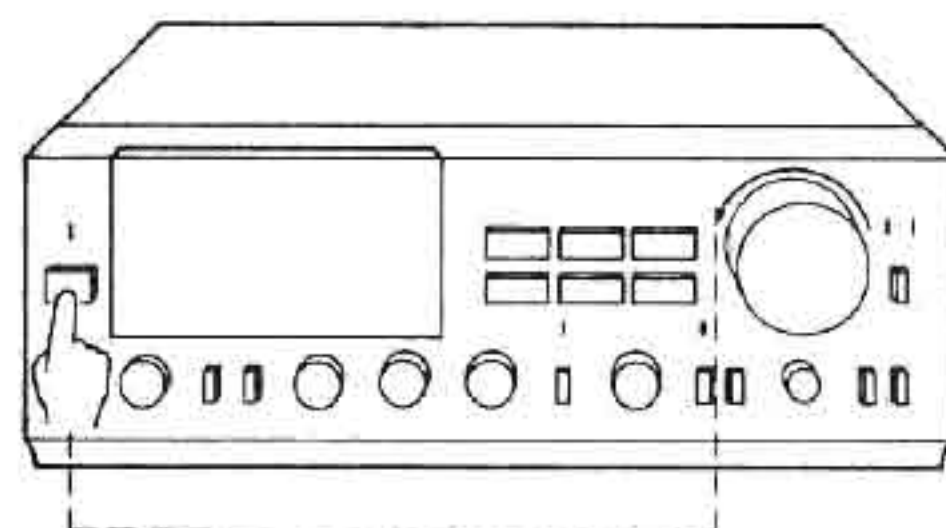
1. Seleccionar los altavoces que se deseen utilizar con el selector **SPEAKERS**. Si se desea escuchar el sonido con los auriculares, enchufarlos a la toma **PHONES**.
2. Presionar el selector **INPUT SELECTOR** de acuerdo con la fuente de sonido que se desee escuchar.
Discos: Presionar el selector **PHONO** y ajustar el selector **PHONO (MM.MC)** de acuerdo con la cápsula del giradiscos.
Discos compactos: Presionar el selector **CD**.
Radiodifusiones: Presionar el selector **TUNER**.
Cintas: Dependiendo del magnetófono que se utilice, Presionar el selector **TAPE-1** o el **TAPE-2/PCM**.
Auxiliar: Presionar el selector **AUX**.
3. Operar el aparato de la fuente de sonido.
4. Ajustar el sonido con el control **VOLUME**. El interruptor **MUTING** es útil para reducir momentáneamente el volumen.
5. Ajustar el balance entre el sonido de los canales izquierdo y derecho empleando el control **BALANCE**.
6. Para ajustar el tono, Presionar el interruptor **TONE**, y entonces ajustar los mandos **BASS**, **MID.RANGE** y **TREBLE** después de haberse iluminado el indicador **TONE**.

Reproducción de discos

1. Presionar el selector de entrada **INPUT SELECTOR PHONO**.
2. Poner el **PHONO** en las posiciones **MM** o **MC**.
* Ponerlo en la posición **MM** si la tensión de salida de la cápsula utilizada es baja (de menos de 1 mV); ponerlo en la posición **MC** si la tensión es alta (más de 1 mV).
3. Poner en funcionamiento el giradiscos y reproducir el disco.
4. Ajustar el volumen, balance y tono según las preferencias personales.

Reproducción de discos compactos

1. Presionar el selector **CD** del **INPUT SELECTOR**.
2. Operar el todadiscos compacto para reproducir el disco compacto.
3. Ajustar el volumen, balance y tono según las preferencias personales.



Audición de radiodifusiones

1. Presionar el selector TUNER del INPUT SELECTOR.
 2. Operar el sintonizador y sintonizar la emisora.
 3. Ajustar el volumen, balance y tono según las preferencias personales.
- * Las señales débiles de FM quedan frecuentemente perturbadas por el ruido de ignición de automóviles circundantes y demás tipos de ruido. Por lo tanto, para mejorar la recepción de FM, se recomienda la instalación de una antena de FM exterior. Para la conexión de la antena, emplear cable coaxial y no cable bifilar.

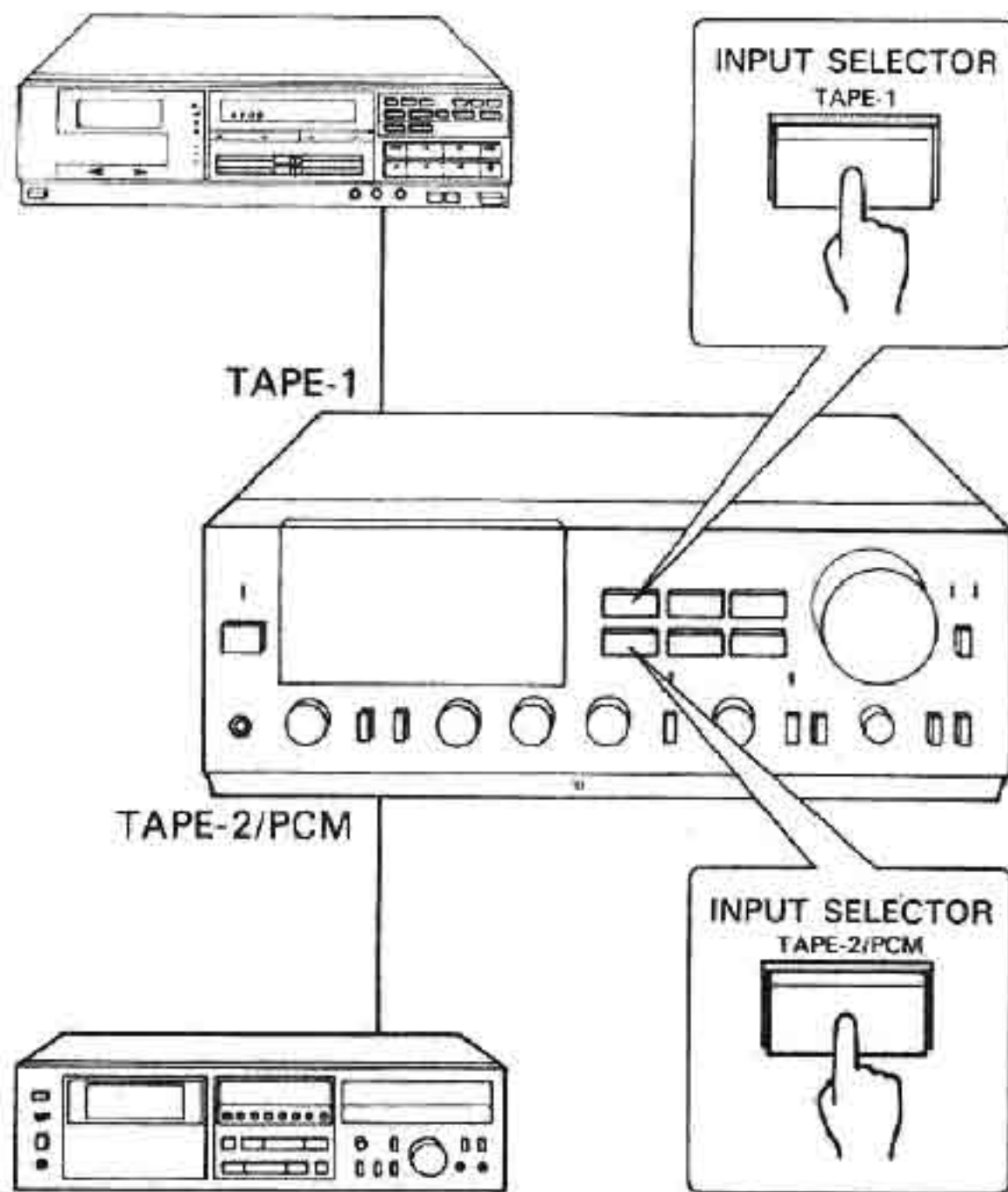
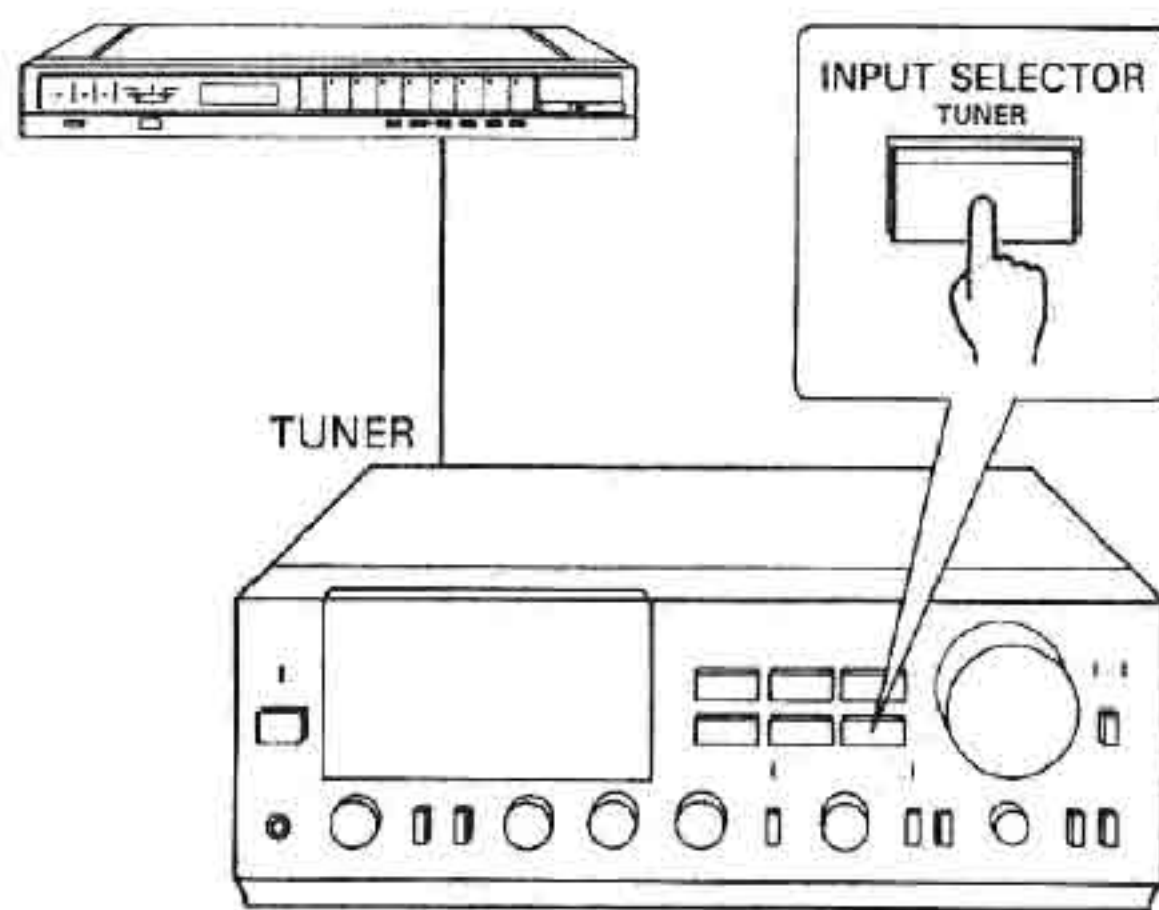
Reproducción de cintas

1. Presionar el selector TAPE-1 o TAPE-2/PCM del INPUT SELECTOR.
- * Presionar el selector TAPE-1 del INPUT SELECTOR cuando el magnetófono se haya conectado a los terminales TAPE-1; presionar el selector TAPE-2/PCM cuando se haya conectado a los terminales TAPE-2/PCM.
2. Operar el magnetófono y reproducir la cinta.
 3. Ajustar el volumen, balance y tono según las preferencias personales.
- * Si se utiliza el magnetófono durante largos períodos de tiempo, la calidad del sonido puede degradarse si se acumula suciedad en la superficie de las cabezas, eje de arrastre, etc.
Para conseguir la óptima reproducción de cintas, referirse al manual de instrucciones del magnetófono y limpiar regularmente la sección de las cabezas.

Grabación de cintas

Pueden grabarse discos, radiodifusiones u otras fuentes de sonido en el magnetófono conectado a los terminales TAPE REC.

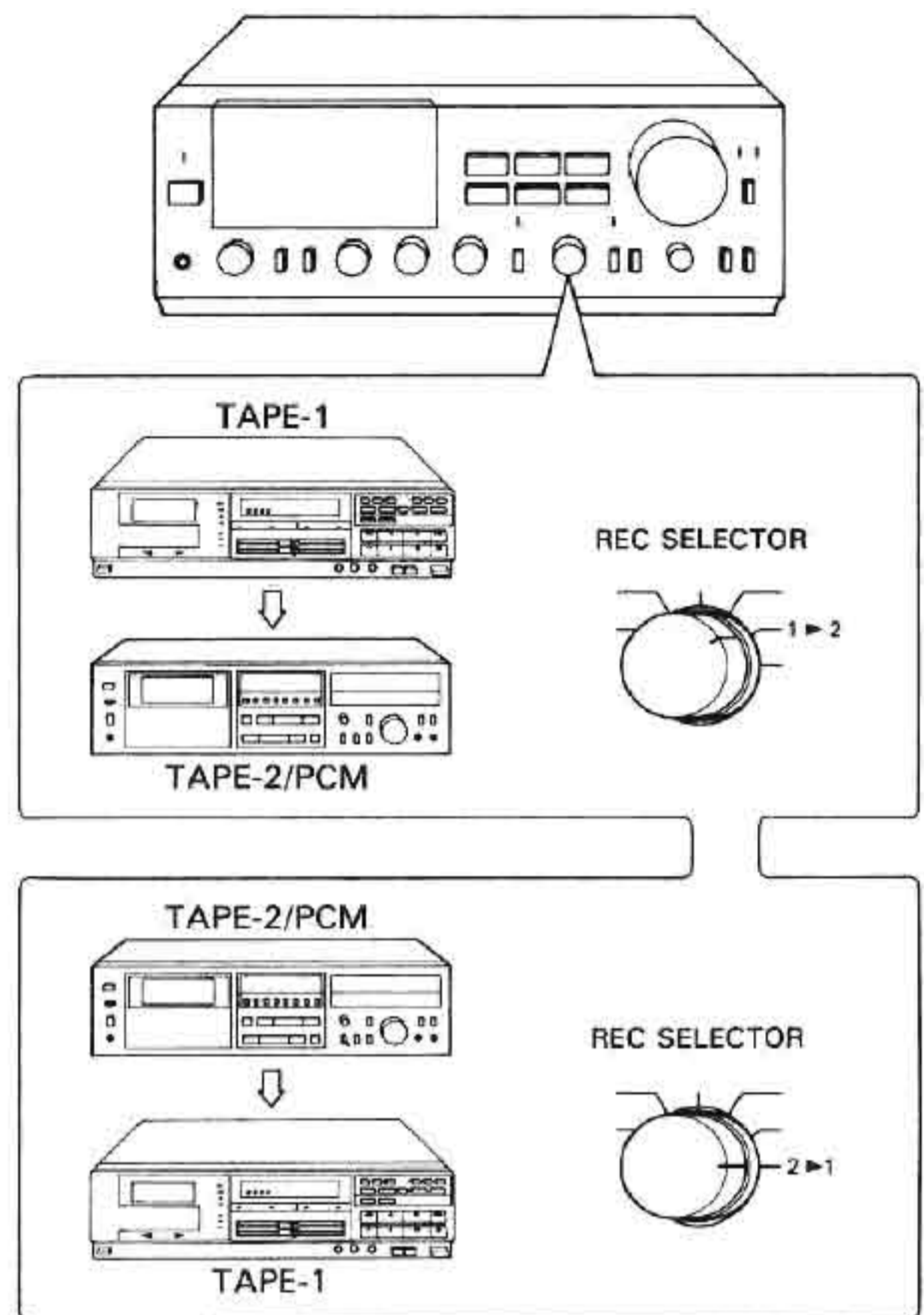
1. Poner el REC SELECTOR en la posición correspondiente a la fuente de sonido que se vaya a grabar.
 2. Presionar el selector apropiado del INPUT SELECTOR para seleccionar la fuente de sonido que se desea grabar.
 3. Iniciar la reproducción de la fuente de sonido.
 4. Operar el magnetofono, ajustar el nivel de grabación e iniciar la grabación.
- * El volumen y tono de las señales a grabarse no puede ajustarse con los controles de VOLUME y de tono.
- * Las funciones del selector REC SELECTOR y del de INPUT SELECTOR son independientes. Es, por lo tanto, posible poner el selector INPUT SELECTOR en otra posición durante la grabación, y escuchar otra fuente de sonido.



Doblaje de cinta a cinta

Pueden utilizarse dos magnetófonos para efectuar la grabación de una cinta grabada en otra virgen.

1. Poner el REC SELECTOR en la posición 1 ► 2 ó 2 ► 1.
 - * Ponerlo en la posición 1 ► 2 cuando se efectúe el doblaje del magnetófono 1 al magnetófono 2; ponerlo en la posición 2 ► 1 cuando se doble del magnetófono 2 al 1.
2. Operar los magnetófonos de reproducción y de grabación e iniciar la grabación.
 - * Es posible escuchar otra fuente de sonido por los altavoces mientras se efectúa el doblaje de cintas. En tales casos, presionar el selector apropiado del INPUT SELECTOR de acuerdo con la fuente de sonido que se desea escuchar.
 - * Para comprobar el sonido durante el doblaje, presionar el selector TAPE-1 o el TAPE-2/PCM.



Especificaciones

Salida de potencia

Min. RMS, ambos canales activados, de 20 a 20.000 Hz con no más del 0,003% de distorsión armónica total.

160 vatios por canal a 8 ohmios

Impedancia de carga..... 8 ohmios

Distorsión armónica total menos del 0,003% a la, o a menos de la, potencia de salida RMS nominal

Distorsión de intermodulación (60 Hz: 7 kHz=4:1 método SMPTE) menos de 0,003% a la nominal

Respuesta en frecuencia (a 1 vatio)

Total (de AUX, CD, TUNER, TAPE PLAY-1, 2)..... CC a 200.000 Hz, +0 dB, -3,0 dB

Desviación de la curva RIAA (PHONO-MM, 20 Hz a 20 kHz)

..... +0,2 dB, -0,2 dB

Sensibilidad e impedancia de entrada (a 1 kHz)

PHONO (MC) 250 μ V/100 ohmios
(Capacidad máx. de entrada: 20 mV a 1 kHz, menos de 0,01% de distorsión armónica total)

PHONO (MM) 2,5 mV/47 k ohmios
(Capacidad máx. de entrada: 200 mV a 1 kHz, menos de 0,01% de distorsión armónica total)

CD, AUX 150 mV/47 k ohmios

TUNER, TAPE PLAY-1, 2 150 mV/47 k ohmios

Nivel de salida (1.000 Hz)

TAPE REC-1, 2 150 mV a 47 k ohmios

Relación de señal ruido (cortocircuito, red A)

PHONO (MC)	70 dB
PHONO (MM)	88 dB
CD, AUX	110 dB
TUNER, TAPE PLAY-1,2	110 dB

Controles e Filtro

BASS	± 10 dB a 50 Hz
MID RANGE	± 10 dB a 1 kHz
TREBLE	± 10 dB a 10 kHz
MUTING	-20 dB
LOUDNESS	+8 dB a 50 Hz
(VOLUME: -30 dB posición)	+6 dB a 10 kHz
FILTERS	
LOW	-3 dB a 16 Hz (6 dB/oct)
HIGH	-3 dB a 10 kHz (6 dB/oct)

Alimentación

Tensión de alimentación	120/220/240V (50/60 Hz)
Para EE. UU y Canadá	120V (60 Hz)
Consumo	530 vatios, 640 VA nominal
	530 vatios máximo

Dimensiones..... 430 mm An.

160 mm Al.

430 mm Prof.

Peso 17,3 kg neto

19 kg con embalaje

* Diseño y especificaciones sujetos a cambio sin previo aviso.

* Debido a las leyes y regulaciones nacionales, los aparatos vendidos en algunos países no están provistos de selectores de tensión variables.

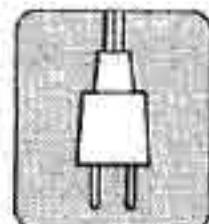
Ci complimentiamo con voi per aver scelto SANSUI; un raffinato prodotto Hi Fi. Prima di usare l'apparecchio vi consigliamo di leggere attentamente questo libretto di istruzioni affinché vi possiate familiarizzare con ciascuna delle sue innumerevoli caratteristiche.

Ciò vi permetterà anche di non causare danni all'apparecchio e vi consentirà di apprezzare a pieno le sue superbe prestazioni.

* Per semplificare la spiegazione le illustrazioni potrebbero a volte differire dagli originali.

Precauzioni

* Tenere a mente i punti seguenti.



Cavo d'alimentazione

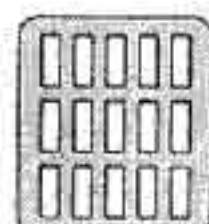
Per scollegare il cavo d'alimentazione dalla presa di rete prenderlo sempre per la spina e non tirare mai il cavo. Non collegare o scollegare il cavo d'alimentazione con le mani bagnate perché c'è pericolo di scosse.

* Ricordarsi di scollegare il cavo d'alimentazione se non si usa l'apparecchio per un lungo periodo di tempo.



Non togliere il mobile e il pannello inferiore

Qualsiasi ispezione o regolazione all'interno dell'apparecchio può causare difetti di funzionamento o scosse. Non toccare le parti interne. La garanzia SANSUI non è più valida nel caso che il deterioramento delle prestazioni dell'apparecchio è dovuto ad un intervento al suo interno.



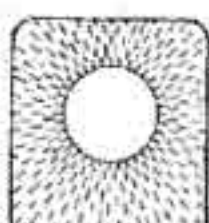
Non ostruire i fori di ventilazione

Non ostruire i fori di ventilazione del pannello superiore dell'apparecchio sistemandovi sopra dischi o altri oggetti, perché l'aumento della temperatura interna che ne consegue potrebbe causare un difetto di funzionamento o guasto.



Interno dell'apparecchio

Se una forcina, moneta, puntina o qualsiasi altro oggetto metallico dovesse cadere all'interno dell'apparecchio, oppure se vi si rovesciasse sopra dell'acqua o altro liquido, scollegare immediatamente il cavo d'alimentazione dalla presa di rete e rivolgersi al rivenditore o un concessionario SANSUI autorizzato. Non continuare ad usare l'apparecchio perché altrimenti si potrebbe causare un guasto o pericolo di scosse.



Precauzioni per l'installazione

Non installare l'apparecchio in uno dei luoghi seguenti perché possono causare un deterioramento delle sue prestazioni o un difetto di funzionamento:

- * Luoghi esposti alla luce diretta del sole o vicino a fonti di calore, come termosifoni, ecc.
- * Luoghi umidi o dove si forma della condensa.
- * Luoghi poco ventilati ed esposti alla polvere e sporco.
- * Luoghi instabili e non perfettamente orizzontali o soggetti a vibrazioni.
- * Sopra un amplificatore ad alta potenza d'uscita o altro componente che emana calore.



Non pulire con solventi

Pulire di tanto in tanto il mobile e i pannelli con un panno morbido. L'uso di solventi, alcol o altri liquidi volatili potrebbe rovinare la rifinitura del mobile con chiazze o cancellare le diciture, per cui deve essere evitato.

Non spruzzare insetticidi nei pressi dell'apparecchio.

Tensione d'alimentazione

La tensione d'alimentazione dell'apparecchio è stata regolata in fabbrica corrispondentemente alla tensione d'esercizio del suo Paese di destinazione.

Consultare un Concessionario SANSUI autorizzato per l'uso dell'apparecchio in una zona a tensione diversa.



Il simbolo del lampo a punta di freccia all'interno di un triangolo equilatero serve a cautelare l'utente sulla presenza di "tensione pericolosa" non isolata all'interno del mobile tale da costituire un rischio di scossa elettrica.



Il punto esclamativo all'interno di un triangolo equilatero serve ad avvertire l'utente della presenza d'importanti istruzioni sull'uso e la manutenzione (riparazione) nella letteratura che accompagna l'apparecchio.

Per la Gran Bretagna soltanto

Importante

I fili di questo cavo d'alimentazione sono colorati secondo il codice seguente:

Blu: Neutro
Marrone: Sotto tensione

Se il colore dei fili del cavo d'alimentazione di questa attrezzatura non corrispondono alle indicazioni colorate dei terminali della spina, procedere nel modo seguente.

Il filo colorato in **blu** deve essere collegato al terminale segnato con la lettera "N" o colorato in nero.

Il filo colorato in **marrone** deve essere collegato al terminale segnato con la lettera "L" o colorato in rosso.

Controllare che l'attrezzatura sia collegata correttamente. In caso di dubbio rivolgersi ad un elettricista specializzato.

Per l'attrezzatura acquistata in un Paese diverso dalla Gran Bretagna con una spina a due contatti "EUROPEA" questa deve essere tolta ed il collegamento effettuato secondo le istruzioni precedenti. Controllare anche che l'attrezzatura sia regolata correttamente per il funzionamento con la tensione di 240V. In caso di dubbio rivolgersi ad un elettricista specializzato o al nostro concessionario locale.

Questo apparecchio dissipa più efficacemente il calore quando è installato su una superficie piana. Non metterlo di lato o installarlo inclinato.

Collegamenti

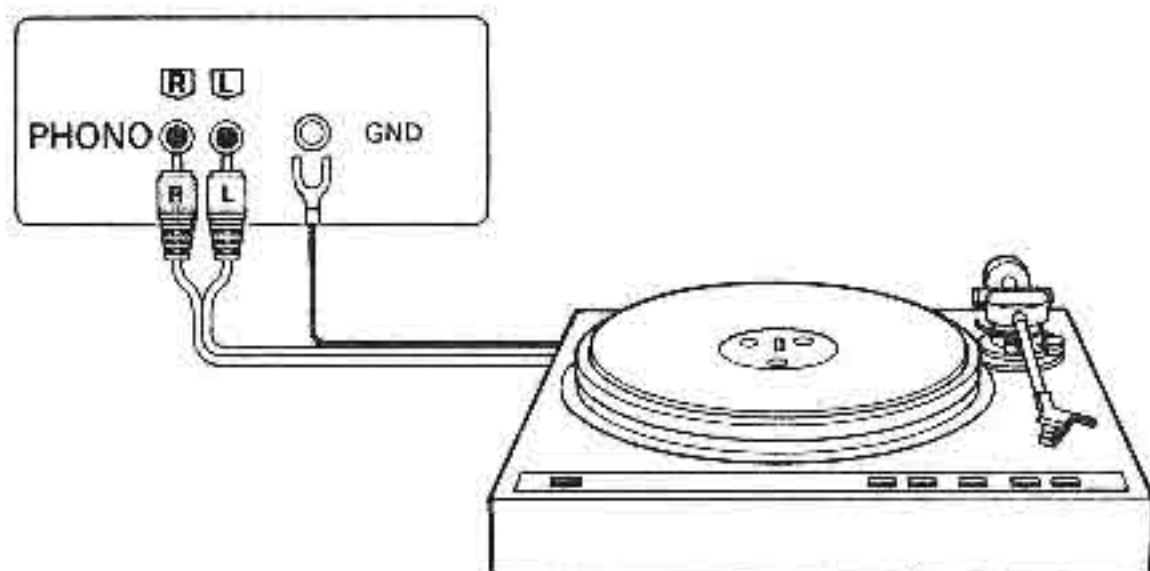
Leggendo quanto segue riferirsi allo schema dei collegamenti a pag. 3.

Precauzioni per i collegamenti

- * Prima di effettuare i collegamenti scollegare sempre il cavo d'alimentazione o spegnere l'apparecchio con l'interruttore d'alimentazione (POWER).
- * Leggere completamente le istruzioni per l'uso degli altri componenti prima di collegarli all'apparecchio.
- * Controllare il canale destro e sinistro e collegarli correttamente (R a R e L a L).
- * Introdurre bene a fondo i connettori. Il loro collegamento imperfetto causa l'originarsi di rumore.

Giradischi

Collegare il connettore L (bianco) del cavo d'uscita del giradischi al terminale L PHONO e il connettore R (rosso) al terminale R. Se il giradischi è dotato del cavo di massa, collegarlo al terminale GND dell'apparecchio. Scollegarlo però se si nota un aumento del ronzio.

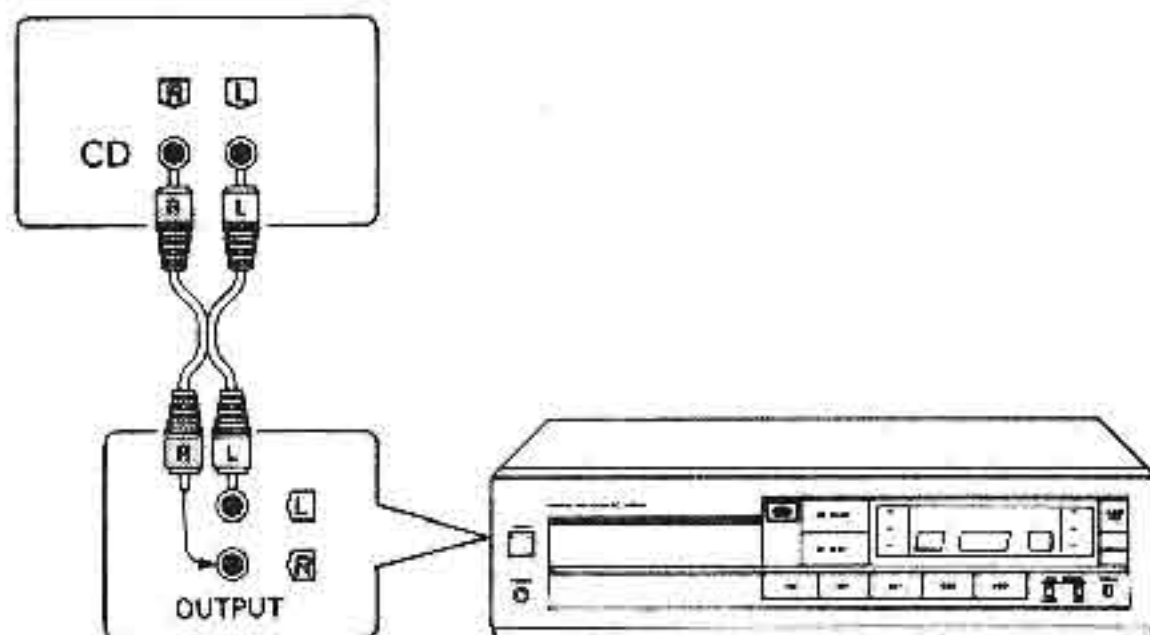


Letture di dischi compatti

Usando un lettore di dischi compatti (SANSUI PC-V1000, ecc.), collegarlo ai terminali CD.

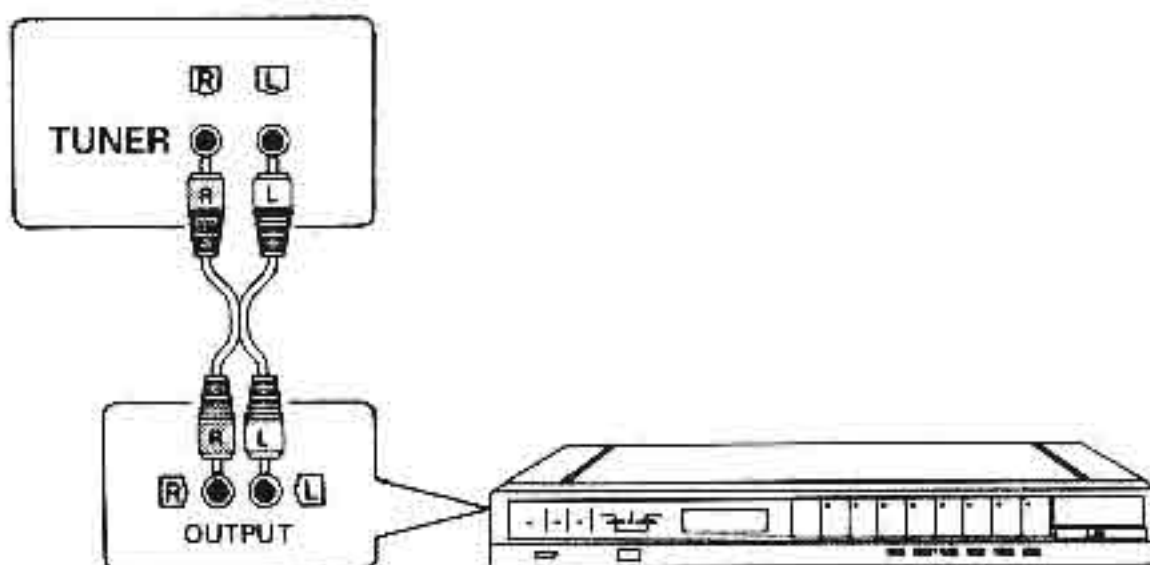
Per il collegamento dei terminali CD ai terminali d'uscita del lettore di dischi compatti usare un cavo con connettori pin-jack.

- * I terminali CD hanno le stesse caratteristiche elettriche dei terminali TUNER e TAPE PLAY.



Sintonizzatore

Collegare i terminali TUNER ai terminali d'uscita (OUTPUT) del sintonizzatore mediante un cavo con connettori pin-jack.

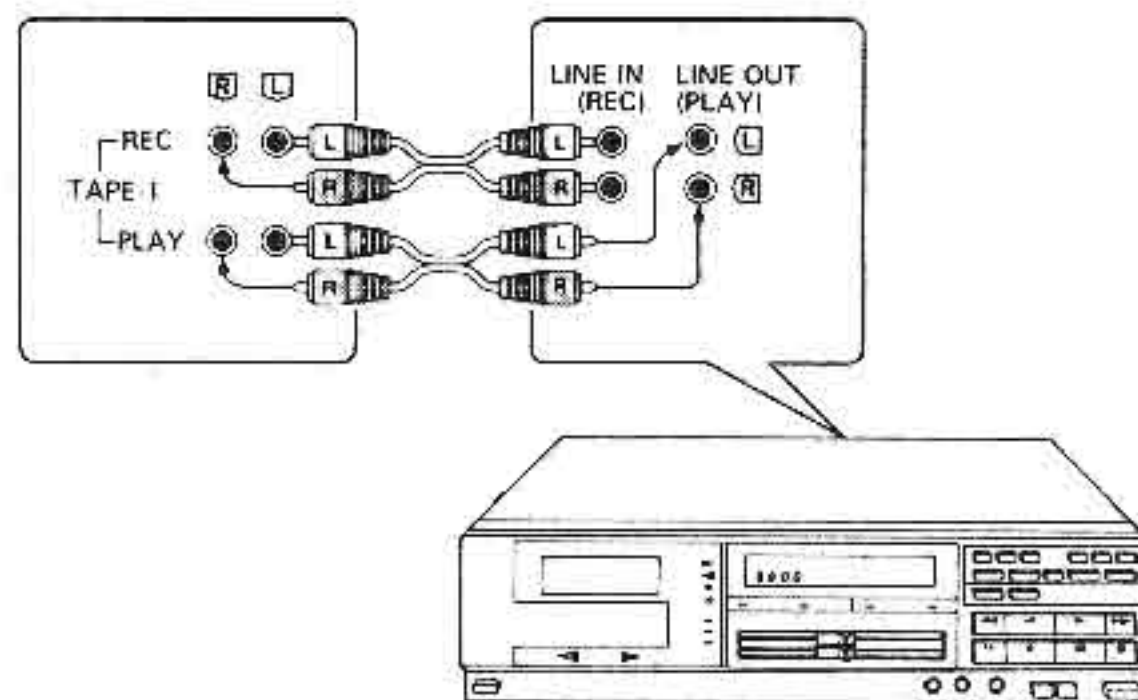


Registratore

Usando un solo registratore, collegarlo ai terminali TAPE-1. E' possibile collegare un secondo registratore ai terminali TAPE-2/PCM per effettuare registrazioni simultanee o il riversamento (copial) dei nastri.

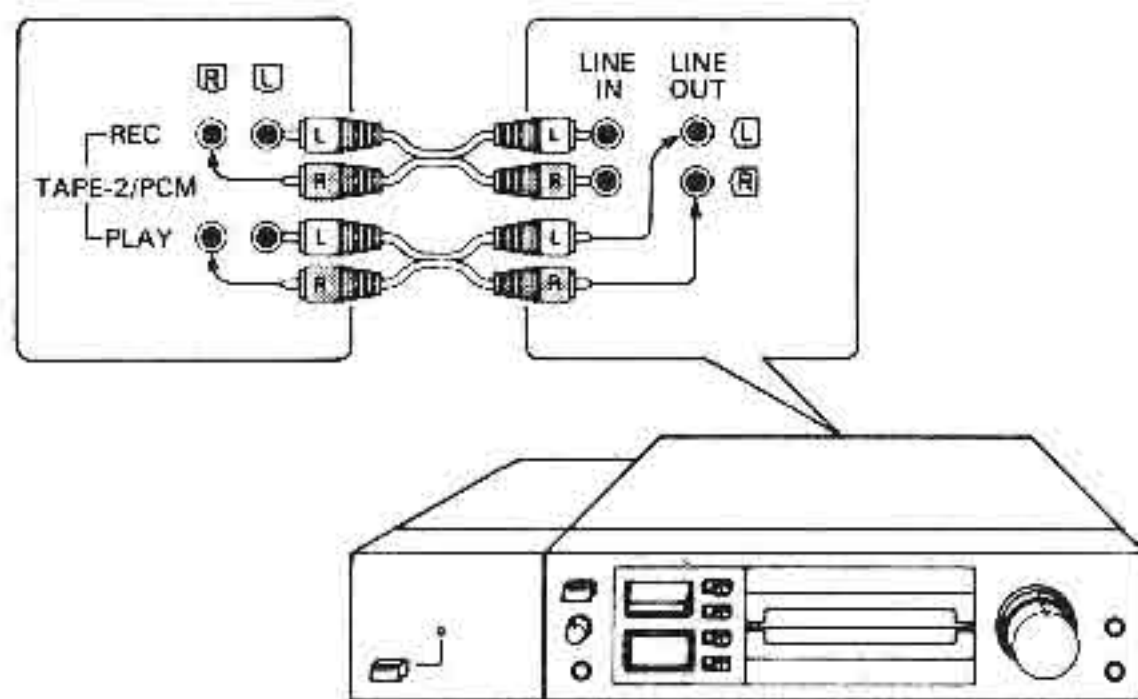
Collegamenti di registrazione: Collegare i terminali di registrazione del nastro (REC) ai terminali d'ingresso di registrazione (LINE IN) del registratore mediante un cavo con connettori pin-jack.

Collegamenti di riproduzione: Collegare i terminali di riproduzione del nastro (PLAY) ai terminali d'uscita di riproduzione (LINE OUT) del registratore mediante un cavo con connettori pin-jack.



Elaboratore audio PCM

Usando un elaboratore audio PCM (SANSUI PC-X1, ecc.), collegarlo ai terminali TAPE-2/PCM. Usare un cavo con connettori pin-jack per collegare i terminali TAPE-2/PCM REC dell'apparecchio ai terminali d'ingresso di linea (LINE IN) dell'elaboratore audio PCM, e usare un altro cavo con connettori pin-jack per collegare i terminali TAPE-2/PCM PLAY a quelli d'uscita di linea (LINE OUT).



Terminali AUX

I terminali d'ingresso ausiliario (AUX) hanno le stesse prestazioni elettriche dei terminali per il sintonizzatore e il registratore. Usarli per collegare un secondo sintonizzatore stereo o registratore di riproduzione. Collegare i terminali AUX ai terminali d'uscita (OUTPUT) del componente ausiliario per mezzo del cavo di collegamento con connettori pin jack.

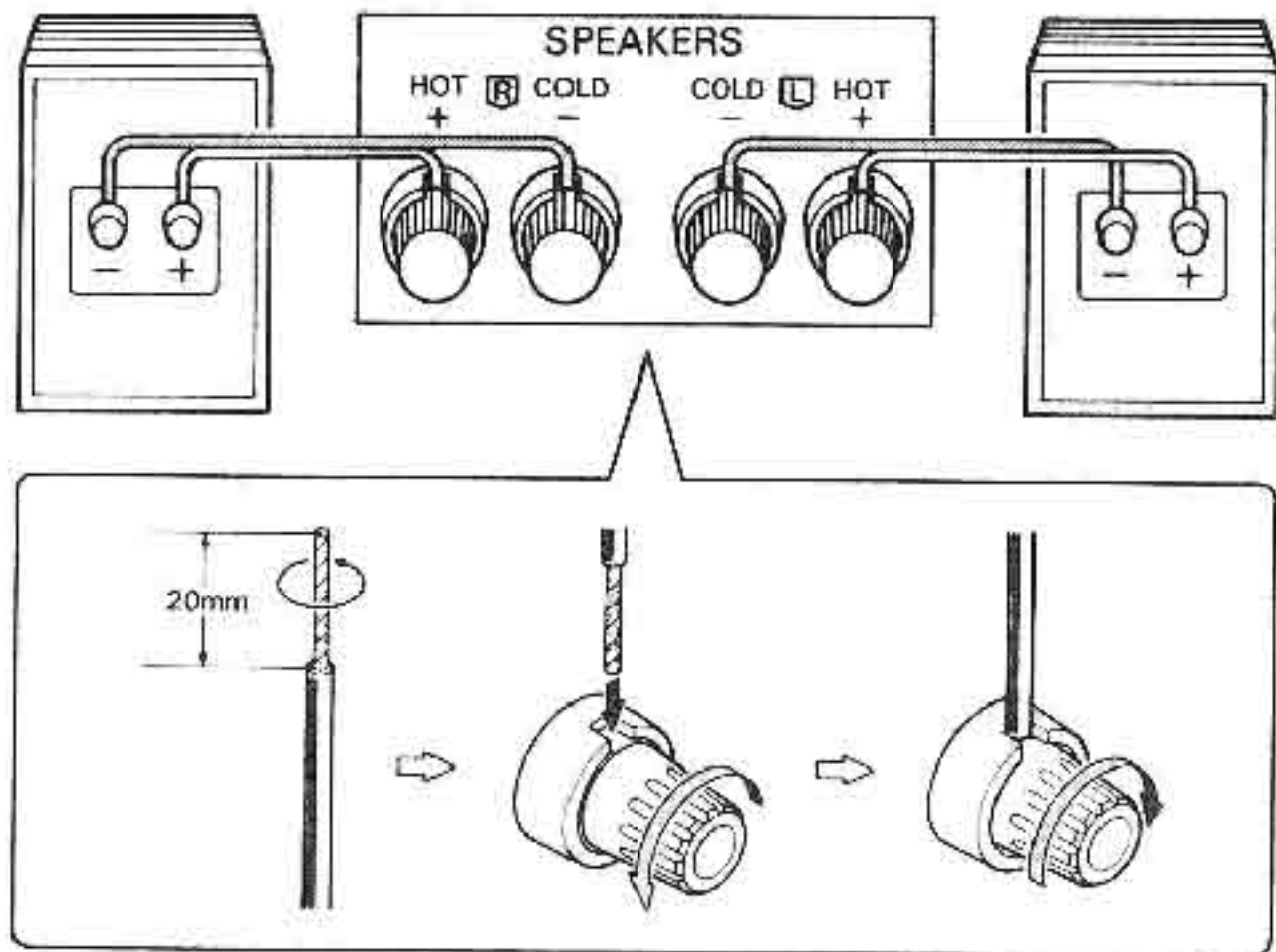
Sistemi di diffusori

L'apparecchio è dotato di terminali per il collegamento di due coppie di diffusori: SPEAKER SYSTEM-A e SYSTEM-B. Usando una sola coppia, collegarla ai terminali SYSTEM-A.

Collegare i terminali (+) a quelli (+) rossi dei diffusori e i terminali (-) a quelli (-) neri. Se non si allineano correttamente queste polarità, il suono degli strumenti diventa instabile, quello al centro assente e non si ottiene un vero effetto stereo.

* Durante il collegamento fare attenzione che il conduttore interno dei cavi dei diffusori non sporge dai terminali venendo a contatto con altri terminali.

* Poiché lo stadio d'uscita di questo apparecchio ha la forma di un ponte, non si devono collegare insieme i terminali negativi (-) dei diffusori (SPEAKERS); inoltre, essi non devono essere collegati al terminale di massa (GND) (telaio) di altri componenti.



Impedenza del sistema di diffusori

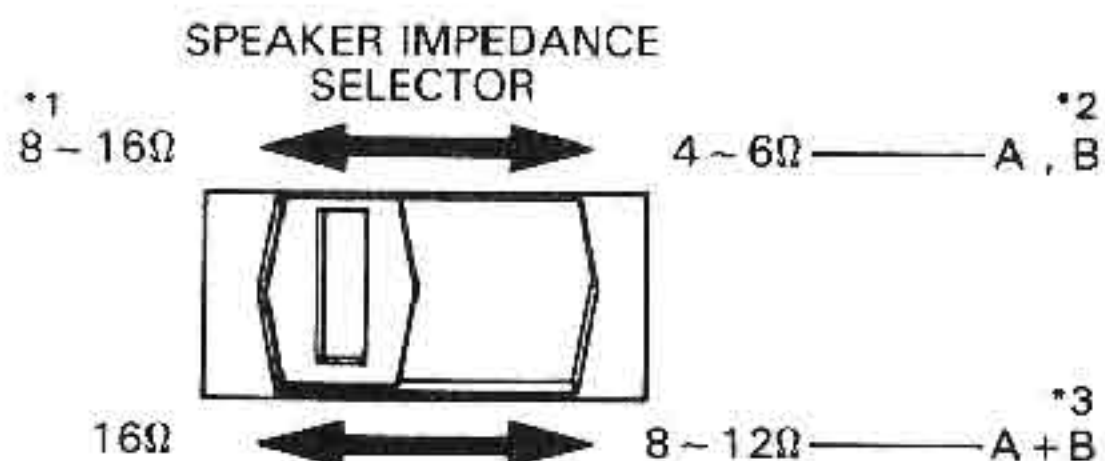
Se si usano separatamente due sistemi di diffusori collegati ai terminali SYSTEM-A e SYSTEM-B, la loro impedenza nominale può estendersi dai 4 ai 16 ohms, ma se li si usano insieme (A+B), l'impedenza nominale di entrambi i sistemi deve essere di 8 ohms o superiore. Se anche uno solo dei diffusori ha un'impedenza nominale inferiore agli 8 ohms, il circuito di protezione potrebbe attivarsi durante il funzionamento, oppure si potrebbe produrre un difetto di funzionamento.

Selettore dell'impedenza dei diffusori (SPEAKER IMPEDANCE SELECTOR)

Questo interruttore, situato sul pannello posteriore dell'apparecchio, deve essere posizionato sul valore dell'impedenza nominale dei sistemi di diffusori collegati.

* L'impedenza nominale dei diffusori è indicata sui diffusori stessi o nelle istruzioni per l'uso che li accompagnano.

Se non si regola correttamente questo interruttore, si potrebbe non ottenere la piena potenza d'uscita o generare eccessivo calore.



*1: Impedenza nominale del sistema di diffusori.

*2: Usando soltanto un sistema di diffusori collegato ai terminali SPEAKERS SYSTEM-A o SYSTEM-B.

*3: Usando entrambi i sistemi di diffusori collegati ai terminali SPEAKERS SYSTEM-A e SYSTEM-B.

Prese ausiliarie di corrente

Questo apparecchio è dotato di prese ausiliarie di corrente molto comode per il collegamento del cavo d'alimentazione del sintonizzatore, registratore o giradischi.

SWITCHED (capacità di 100W): I componenti collegati si accendono e spengono con la manovra dell'interruttore d'alimentazione dell'apparecchio.

UNSWITCHED (capacità totale di 250W): La corrente è sempre erogata ai componenti collegati indipendentemente dalla manovra dell'interruttore d'alimentazione dell'apparecchio.

E' estremamente pericoloso collegare un componente o elettrodomestico con un assorbimento di corrente superiore alla capacità specificata delle prese. Prima di collegarli controllarne sempre l'assorbimento di corrente.

* Poiché alle prese ausiliarie di corrente fluisce un'alta tensione, non si deve assolutamente infilarvi dentro forcine o altro oggetto metallico perché c'è pericolo di scosse elettriche. Non lasciar giocare i bambini con queste prese.

NOTA: A seconda delle leggi e norme locali i modelli di alcuni mercati potrebbero non essere dotati delle prese ausiliarie di corrente, oppure queste avere forma e capacità diverse.

IMPORTANTE

Prima di collegare il cavo d'alimentazione alla presa di rete

La tensione di funzionamento dell'apparecchio è stata regolata a 120V, 220V o 240V, a seconda del suo Paese di destinazione. In osservanza alle leggi e norme locali, alcuni apparecchi sono predisposti per il funzionamento con la tensione di 120V soltanto, mentre altri possono funzionare a tensioni diverse selezionabili con un selettore di tensione. Prima di collegare l'apparecchio ad una presa di corrente accertarsi che il selettore di tensione sia regolato correttamente sul valore della tensione locale. Se la tensione locale è superiore a quella di funzionamento dell'apparecchio, si può causare un incendio o guasto.

Modelli senza il selettore di tensione

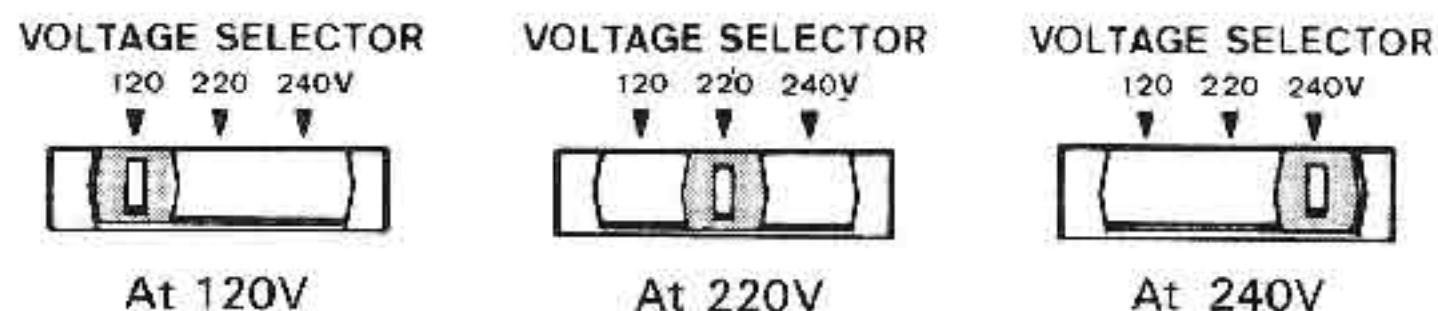
Gli apparecchi progettati esclusivamente per il funzionamento con la tensione di 120V non hanno sul pannello posteriore il selettore di tensione. Essi, perciò, non possono essere usati nelle aree a tensione diversa. Per l'uso dell'apparecchio con una tensione diversa rivolgersi al rivenditore o ad un concessionario autorizzato.

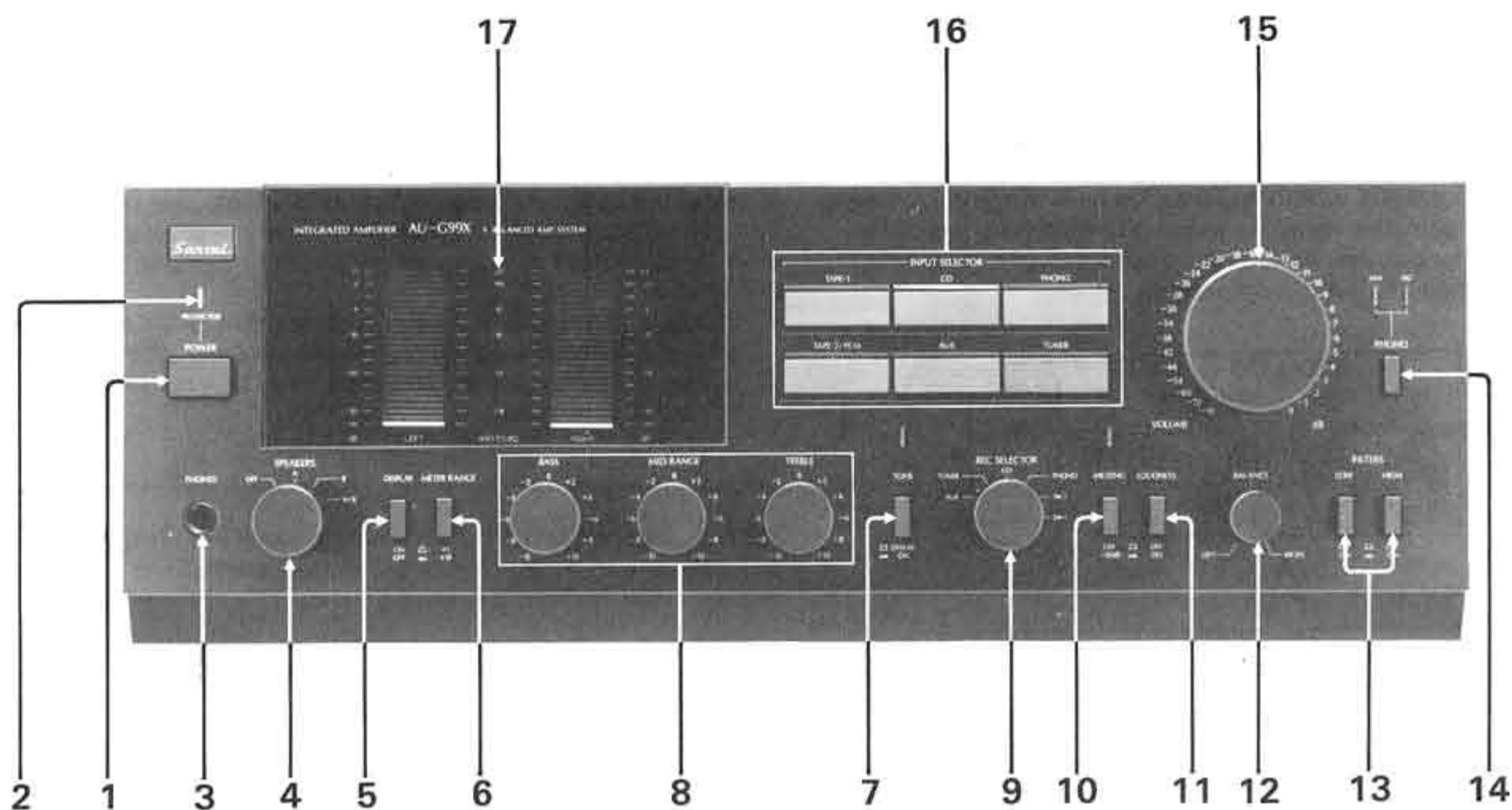
Modelli dotati del selettore di tensione

Gli apparecchi dotati del selettore di tensione sono predisposti per il funzionamento con la tensione del Paese di destinazione prima della loro spedizione, ma è sempre meglio accertarsi che la tensione sia stata regolata correttamente prima di collegarli alla presa di corrente. Se la regolazione è sbagliata, regolare il selettore col procedimento seguente.

* **Modelli dotati del selettore di tensione di 120V/220V/240V sul pannello posteriore**

Il selettore di tensione (VOLTAGE SELECTOR) del pannello posteriore è regolato su 120V, 220V o 240V. Per cambiare la regolazione, usare un cacciavite a punta normale od altro oggetto simile per spostare il selettore sul valore della tensione locale.





1 Interruttore d'alimentazione (POWER)

2 Indicatore del circuito di protezione (PROTECTOR)

Quando si preme questo interruttore si alimenta la corrente all'apparecchio e l'indicatore lampeggia. Dopo alcuni secondi l'indicatore smette di lampeggiare e rimane acceso per indicare che l'amplificatore è pronto a funzionare. L'apparecchio si spegne rilasciando l'interruttore.

* Mentre l'indicatore lampeggia dai diffusori non si sente alcun suono. Se esso comincia a lampeggiare durante il funzionamento, vuol dire che il circuito di protezione incorporato si è attivato per qualche difetto all'interno dell'amplificatore.

3 Presa per la cuffia (PHONES)

Serve a collegarvi la spina di una cuffia stereo per un ascolto privato. Usando la cuffia, regolare il volume in modo da non rovinare l'udito.

* Scollegare sempre la cuffia quando non si intende usarla.

4 Selettore dei diffusori (SPEAKERS)

Serve a selezionare il sistema di diffusori dai quali ascoltare il suono. **OFF:** Per interrompere la sorgente del suono dai sistemi di diffusori per l'ascolto con la cuffia.

A: Per pilotare il sistema di diffusori collegato ai terminali SPEAKERS SYSTEM-A.

B: Per pilotare il sistema di diffusori collegato ai terminali SPEAKERS SYSTEM-B.

A + B: Per pilotare entrambi i sistemi A e B dei diffusori.

* Regolare il selettore d'impedenza dei diffusori (SPEAKER IMPEDANCE SELECTOR) sul pannello posteriore dell'apparecchio secondo l'impedenza nominale dei diffusori usati. Fare particolare attenzione usando la posizione "A + B".

5 Interruttore del visualizzatore (DISPLAY)

Serve ad attivare ed escludere l'indicazione della potenza d'uscita del visualizzatore della potenza di picco. Inserirlo in posizione ON per controllare la potenza d'uscita sul visualizzatore.

6 Selettore della gamma della scala (METER RANGE)

Serve a commutare la gamma della scala tra due livelli. Selezionare la posizione che permette di controllare più facilmente la potenza d'uscita.

7 Interruttore di tono (TONE)

Quando si preme questo interruttore per regolare la qualità del suono con i controlli di tono, l'indicatore si accende per indicare che la regolazione è possibile.

8 Controlli di tono (TONE)

La qualità del suono può essere regolata con queste manopole mentre l'indicatore di tono è acceso.

Quando si gira verso destra la manopola dei bassi (BASS) dalla posizione "0", le basse frequenze diventano più forti, mentre invece diventano più deboli quando la si gira verso sinistra.

Quando si gira verso destra la manopola dei medi (MIDRANGE) dalla sua posizione "0", le medie frequenze diventano più forti, mentre invece diventano più deboli quando la si gira verso sinistra.

Quando si gira verso destra la manopola degli alti (TREBLE) dalla sua posizione "0", le alte frequenze diventano più forti, mentre invece diventano più deboli quando la si gira verso sinistra.

• I controlli di tono non operano quando l'indicatore di tono è spento.

9 Selettore di registrazione (REC SELECTOR)

Serve a selezionare la sorgente di programma da registrare. Con questo controllo la registrazione può essere effettuata indipendentemente dalla regolazione dei selettori d'ingresso (INPUT SELECTOR).

AUX: Per la registrazione dei segnali dal componente ausiliario collegato ai terminali AUX.

TUNER: Per la registrazione delle trasmissioni ricevute col sintonizzatore collegato ai terminali TUNER.

CD: Per la registrazione del lettore di dischi compatti collegato ai terminali CD.

PHONO: Per la registrazione dei dischi del giradischi collegato ai terminali PHONO.

1 ► 2: Per la registrazione dal registratore collegato ai terminali TAPE-1 al registratore collegato ai terminali TAPE-2/PCM.

2 ► 1: Per la registrazione dal registratore collegato ai terminali TAPE-2/PCM ai terminali TAPE-1.

10 Interruttore di silenziamento (MUTING)

Questo interruttore riduce il volume di 20 dB. Premerlo per ridurre temporaneamente il volume. L'indicatore allora si accende e il suono si attenua. Quando lo si rilascia, l'indicatore si spegne e il suono riacquista la sua forza originale. Tenere a mente che il volume aumenta improvvisamente.

11 Interruttore di loudness (LOUDNESS)

L'orecchio umano è tale che il responso agli alti, medi e bassi scade ed essi sono difficili da distinguere quando il volume è ridotto. Durante l'ascolto a basso volume il suono sembra avere poca sostanza, ma se si mette l'interruttore di loudness sulla posizione ON gli alti, medi e i bassi vengono messi in risalto e si ottiene un effetto più bilanciato. La risposta in frequenza è piatta quando l'interruttore è rilasciato in posizione OFF.

12 Controllo di bilanciamento (BALANCE)

Serve a regolare il volume del diffusore destro e sinistro. Girando il controllo in senso antiorario dalla sua posizione centrale si rende il suono del diffusore sinistro più forte di quello del diffusore destro, e viceversa. Regolare in modo che alla posizione d'ascolto si senta il suono del diffusore destro e sinistro con un volume eguale.

13 Interruttori di filtri (FILTERS)

LOW: Questo interruttore attenua le basse frequenze al di sotto della gamma di frequenza udibile. Il rumore della gamma ultrabassa generato dai dischi ondulati ed altri fattori causa la distorsione d'intermodulazione che influisce negativamente sulla qualità del suono, ma può essere attenuato premendo questo interruttore in posizione inserito ON. Rilasciarlo in posizione OFF quando esso non è necessario.

HIGH: Inserendo ON questo interruttore si sopprimono le frequenze della gamma degli alti. Inserirlo se l'ascolto è disturbato dal rumore dei graffi del disco o da quello delle alte frequenze durante la ricezione AM.

* Rilasciare "OFF" l'interruttore quando non è necessario attivare il filtro.

14 Selettore della testina (PHONO)

Regolarlo secondo la tensione d'uscita della testina del giradischi usata. L'indicatore si accende per indicare la posizione selezionata.

MM: Premere questo interruttore per usare una testina ad alta uscita (1 mV o superiore).

MC: Premere questo interruttore per usare una testina a bassa uscita (meno di 1 mV).

15 Controllo di volume (VOLUME)

Serve a regolare il volume dei diffusori o della cuffia. Il volume si aumenta girando il controllo in senso orario. Ascoltare la musica e regolarlo ad un livello d'ascolto confortevole.

16 Selettore d'ingresso (INPUT SELECTOR)

Servono a selezionare la sorgente di programma desiderata. Quando si preme uno di questi tasti, l'indicatore sopra di esso si accende.

PHONO: Premere questo tasto per l'ascolto dei dischi col giradischi collegato ai terminali PHONO.

Dopo aver premuto questo tasto mettere il selettore della testina (PHONO) sulla posizione appropriata.

CD: Premere questo tasto per di quelli del lettore di dischi compatti collegato ai terminali CD.

TUNER: Premere questo tasto per ascoltare le radiotrasmissioni col sintonizzatore collegato ai terminali TUNER.

TAPE-1: Premere questo tasto per la riproduzione dei nastri col registratore collegato ai terminali TAPE-1.

TAPE-2/PCM: Premere questo tasto per usare il secondo registratore o elaboratore audio PCM collegato ai terminali TAPE-2/PCM per la riproduzione dei nastri o riproduzione audio PCM.

AUX: Premere questo tasto per usare il componente ausiliario collegato ai terminali AUX.

* Inserire bene il tasto desiderato (uno soltanto).

17 Indicatore del livello di picco

Indica la potenza d'uscita e va osservato regolando il volume. Esso mostra la potenza d'uscita* in watt quando si usano diffusori con un'impedenza di 8 ohm. Quando il selettore della gamma della scala (METER RANGE) si trova sulla posizione "x 1", la gamma della scala è la stessa dei valori indicati. Quando esso si trova sulla posizione "x 10", la gamma della scala è ridotta ad un decimo dei valori indicati.

* Se l'impedenza è diversa da 8 ohm, l'uscita reale è diversa da quella indicata dalla scala. Per la lettura corretta occorre allora effettuare la conversione. Moltiplicare allora il valore indicato per 8 e dividere per l'impedenza dei diffusori.

$$\text{Potenza indicata (watt)} \times \frac{8}{\text{Impedenza dei diffusori (ohm)}} = \text{Potenza corretta (watt)}$$

Funzionamento

Prima di accendere l'apparecchio

Mettere per prima cosa il controllo di volume sulla posizione del minimo e premere poi l'interruttore d'alimentazione (POWER) per accendere l'apparecchio.

Il circuito di protezione si attiva per alcuni secondi all'accensione dell'apparecchio finché i circuiti incorporati funzionano stabilmente e l'indicatore PROTECTOR lampeggia. Mentre il circuito di protezione è attivato dai diffusori non si sente alcun suono. L'amplificatore è pronto a funzionare quando l'indicatore di PROTECTOR smette di lampeggiare e rimane acceso.

Funzionamento fondamentale

1. Selezionare i diffusori che si intendono usare mediante il selettore dei diffusori (SPEAKERS). Se invece si vuole ascoltare il suono con la cuffia, collegarla all'apposita presa (PHONES).

2. Premere il selettore d'ingresso (INPUT SELECTOR) corrispondente alla sorgente di programma desiderata.

Disco: Premere il tasto PHONO e posizionare il selettore della testina (PHONO, MM.MC) corrispondentemente alla testina del giradischi usata.

Disco compatto: Premere il tasto CD.

Radiotrasmissione: Premere il tasto TUNER.

Nastro: Premere il tasto TAPE-1 o TAPE-2/PCM a seconda del registratore usato.

Ausiliario: Premere il tasto AUX.

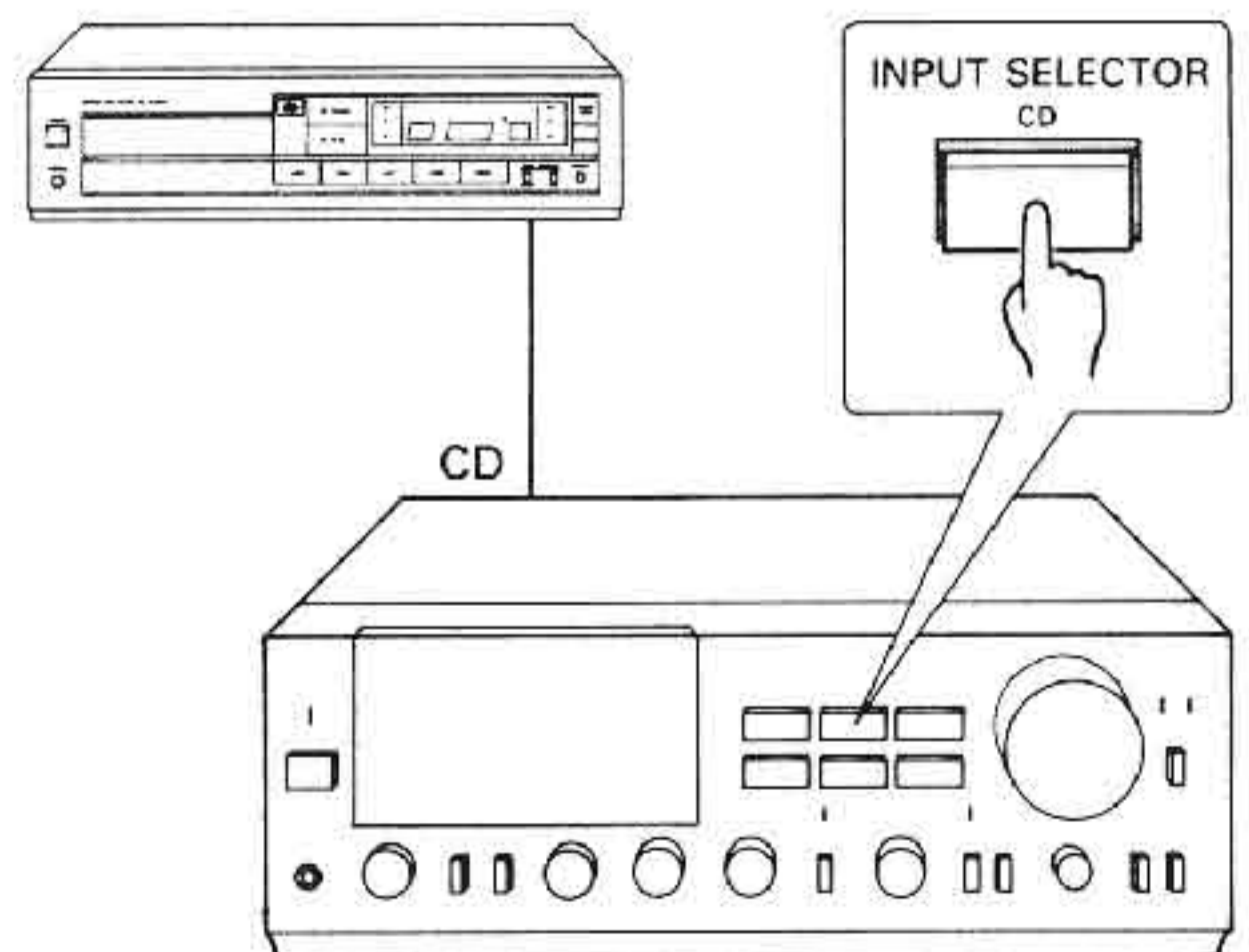
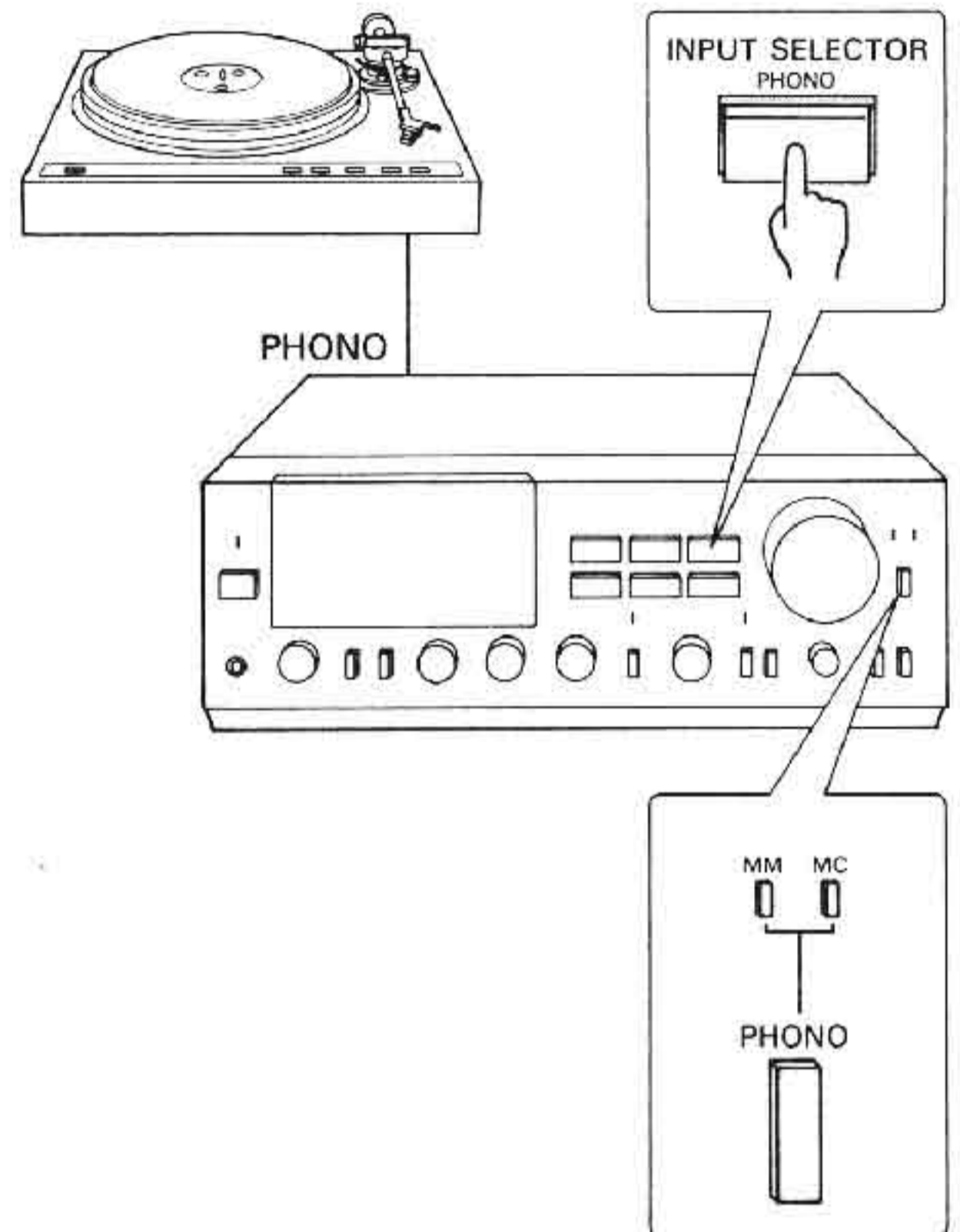
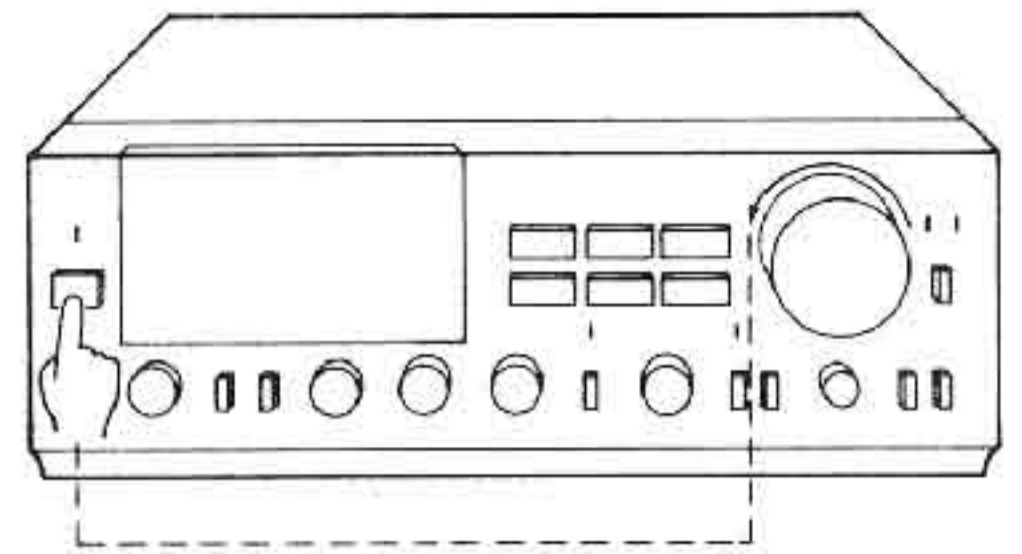
3. Far funzionare il componente della sorgente di programma.
4. Regolare il suono col controllo di volume. L'interruttore di silenziamento (MUTING) è molto comodo per ridurre temporaneamente il volume.
5. Ottenere il bilanciamento del suono tra il canale destro e sinistro mediante il controllo di bilanciamento (BALANCE).
6. Per regolare la qualità tonale, premere l'interruttore di tono (TONE) e regolare poi gli interruttori degli alti (TREBLE) medi (MID RANGE) e bassi (BASS) dopo che si è acceso l'indicatore di tono (TONE).

Lettura dei dischi

1. Premere l'interruttore INPUT SELECTOR PHONO.
2. Selezionate il PHONO su MM o MC.
 - * Dovrete posizionare MC qualora l'uscita della testina magnetica utilizzata sia inferiore ad 1 mV; selezionate invece su MM se il voltaggio è elevato ovvero superiore ad 1 mV.
3. Manovrate il giradischi ed ascoltate il disco.
4. Regolate il controllo di volume, bilanciamento e toni come preferite.

Lettura dei dischi compatti

1. Premere il selettore d'ingresso CD.
2. Far funzionare il lettore di dischi compatti per cominciare la lettura del disco.
3. Regolare il volume, bilanciamento e tono secondo le proprie preferenze.



Ascolto delle radiotrasmissioni

1. Premere il selettore d'ingresso TUNER.
 2. Far funzionare il sintonizzatore e sintonizzarsi sulla stazione desiderata.
 3. Regolare il volume, bilanciamento e tono secondo le proprie preferenze.
- * I segnali FM deboli sono spesso disturbati dal rumore d'accensione delle automobili nelle vicinanze e da altri rumori. Per una ricezione FM migliore si consiglia perciò l'installazione di un'antenna FM esterna. Per il collegamento dell'antenna usare un cavo coassiale al posto della piattina.

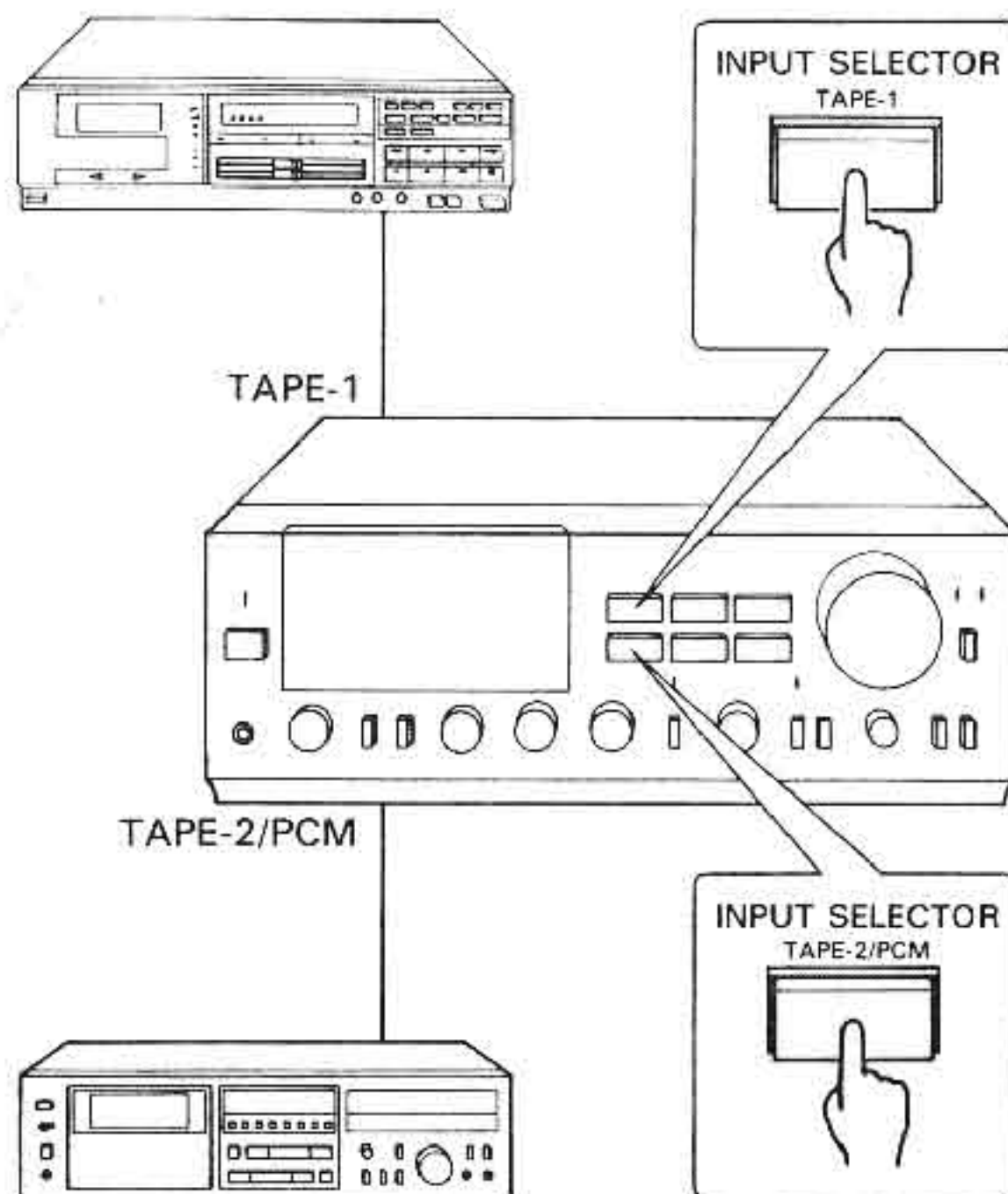
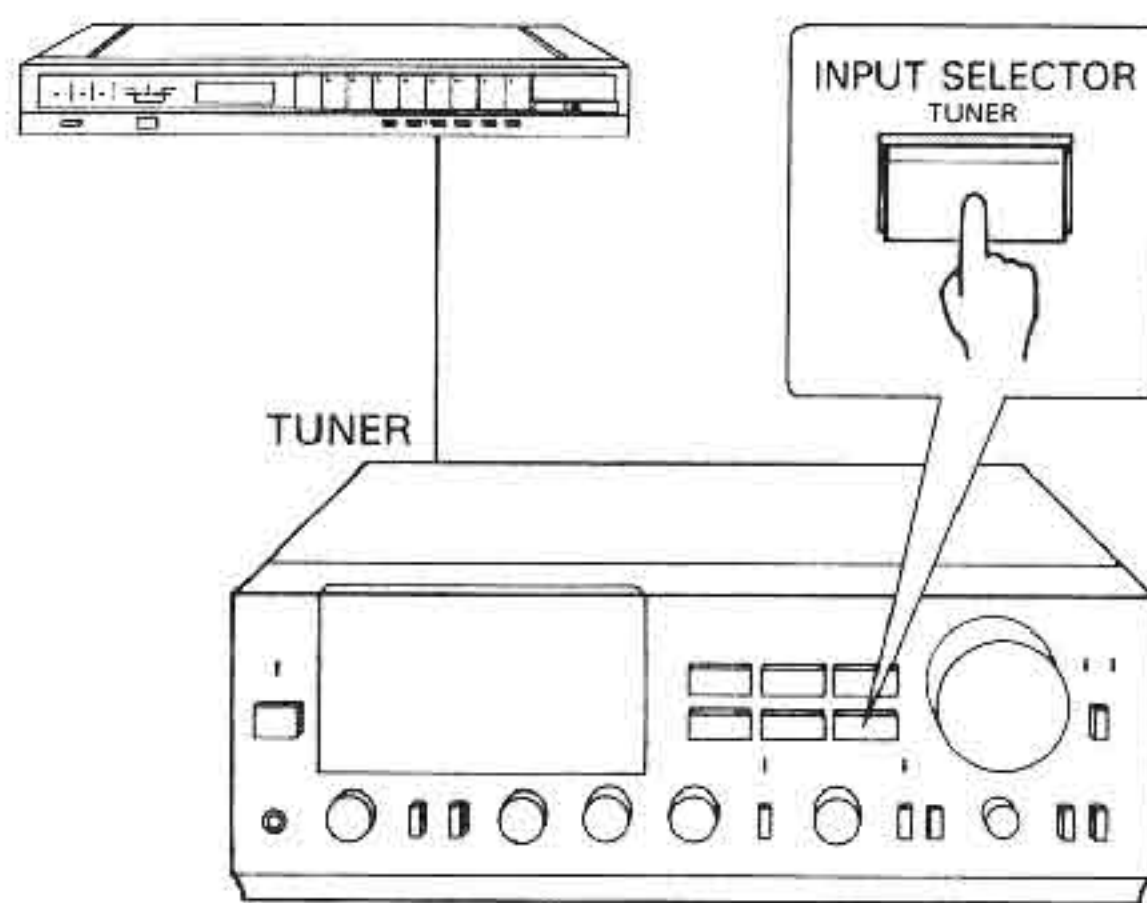
Riproduzione dei nastri

1. Premere il selettore d'ingresso TAPE-1 o TAPE-2/PCM.
- * Premere il tasto TAPE-1 per usare il registratore collegato ai terminali TAPE-1 e il tasto TAPE-2/PCM per usare il registratore collegato ai terminali TAPE-2/PCM.
2. Far funzionare il registratore e cominciare la riproduzione del nastro.
 3. Regolare il volume, bilanciamento e tono secondo le proprie preferenze.
- * Usando a lungo il registratore, la qualità del suono viene compromessa dallo sporco che si accumula sulle testine, capstan, ecc. Per la riproduzione ottimale dei nastri riferirsi alle istruzioni per l'uso del registratore e pulire regolarmente le testine.

Registrazione dei nastri

Col registratore collegato ai terminali di registrazione (TAPE REC) si possono registrare le radiotrasmissioni, i dischi o altre sorgenti di programma.

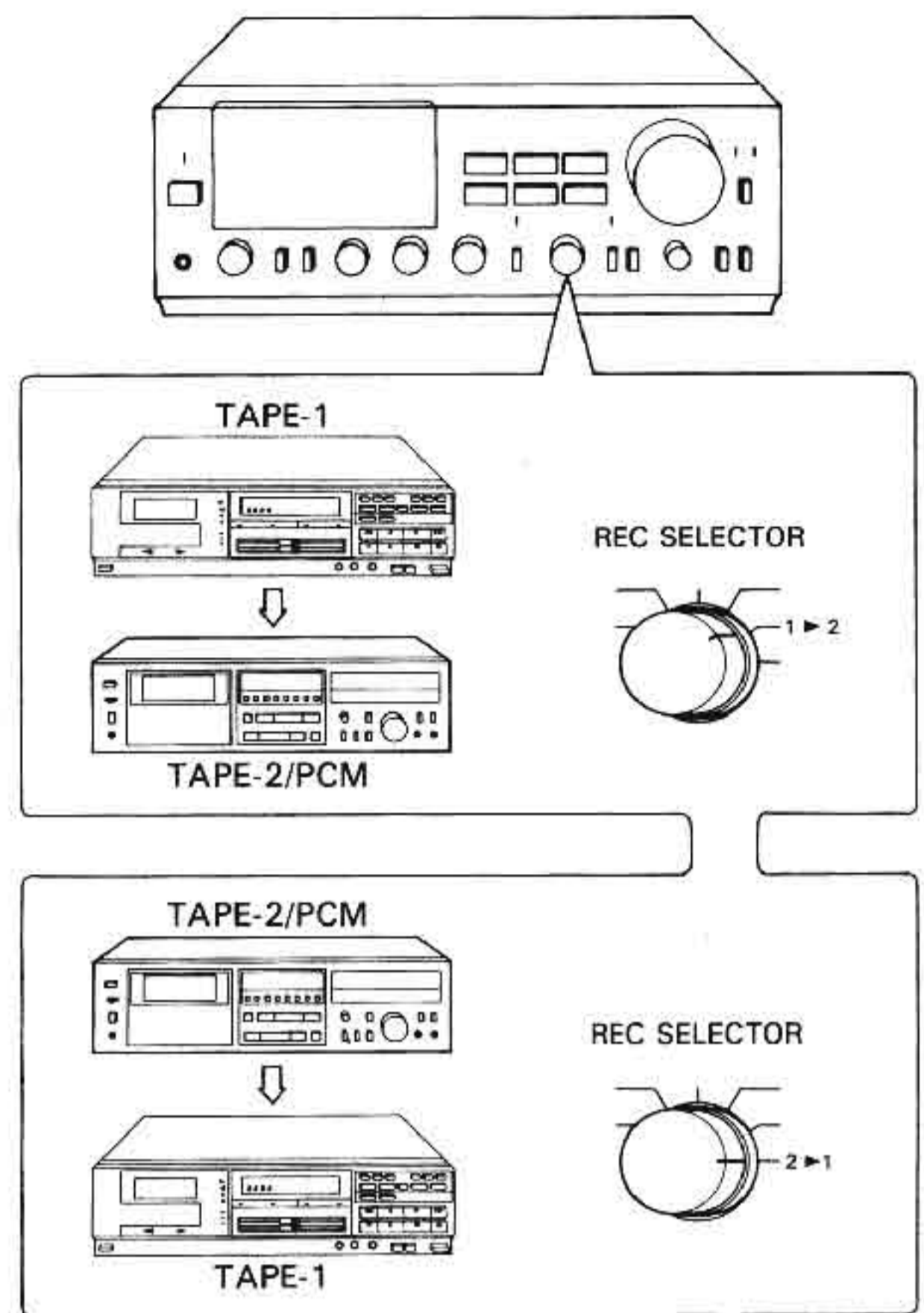
1. Mettere il selettore di registrazione sulla posizione corrispondente alla sorgente di programma da registrare.
 2. Premere il selettore d'ingresso della sorgente di programma da registrare.
 3. Far funzionare la sorgente di programma.
 4. Far funzionare il registratore, regolare il livello di registrazione e cominciare a registrare.
- * Il volume e tono dei segnali da registrare non possono essere regolati con i controlli di volume e tono dell'amplificatore.
- * Le funzioni del selettore di registrazione (REC SELECTORE) e del selettore d'ingresso (INPUT SELECTOR) sono indipendenti. E' perciò possibile mettere il selettore d'ingresso su un'altra posizione durante la registrazione ed ascoltare un'altra sorgente di programma.



Riversamento da nastro a nastro

E' possibile usare due registratori per riversare il contenuto di un nastro in un altro.

1. Mettere il selettore di registrazione (REC SELECTOR) sulla posizione 1 ► 2 o 2 ► 1.
- * Posizionarlo su 1 ► 2 per il riversamento dal 1° al 2° registratore. Posizionarlo invece su 2 ► 1 per il riversamento dal 2° al 1° registratore.
2. Far funzionare il registratore di riproduzione e quello di registrazione e cominciare la registrazione.
- * Durante il riversamento del nastro è possibile ascoltare una sorgente di programma diversa dai diffusori. In questo caso, premere il selettore d'ingresso (INPUT SELECTOR) della sorgente di programma desiderata.
- * Per controllare il suono durante il riversamento del nastro premere il selettore d'ingresso TAPE-1 o TAPE-2/PCM.



Dati tecnici

Potenza di uscita

Minima RMS, entrambi i canali pilotati, 20 a 20.000 Hz con distorsione armonica totale non superiore allo 0,003%.

160 watts per canale su 8 ohms

Impedenza di carico..... 8 ohms

Distorsione armonica totale meno dello 0,003% RMS

Distorsione d'intermodulazione (60 Hz: 7 kHz = 4:1 metodo SMPTE)
..... Meno dello 0,003% alla
potenza di uscita nominale

Risposta in frequenza (ad 1W)

Totale (dall'AUX, CD, TUNER,
TAPE PLAY-1, 2)..... DC a 200.000 Hz,
+0 dB, -3,0 dB

Deviazione curva RIAA (PHONO-MM, 20 Hz a 20 kHz)

..... +0,2 dB, -0,2 dB

Impedenza e sensibilità d'ingresso (1 kHz)

PHONO (MC) 250 μ V/100 ohms
(Capacità massima d'ingresso: 20 mV a 1 kHz, meno dello
0,01% di distorsione armonica totale)

PHONO (MM)..... 2,5 mV/47 kohms
(Capacità massima d'ingresso: 200 mV a 1 kHz, meno dello
0,01% di distorsione armonica totale)

CD, AUX 150 mV/47 kohms

TUNER, TAPE PLAY-1,2..... 150 mV/47 kohms

Livello d'uscita (1.000 Hz)

TAPE REC-1,2..... 150 mV con 47 kohms

Rapporto segnale/rumore (IHF)

PHONO (MC)	70 dB
PHONO (MM).....	88 dB
CD, AUX	110 dB
TUNER, TAPE PLAY-1,2.....	110 dB

Comandi e Filtri

BASS	\pm 10 dB a 50 Hz
MID RANGE	\pm 10 dB a 1 kHz
TREBLE	\pm 10 dB a 10 kHz
MUTING	-20 dB
LOUDNESS	+8 dB a 50 Hz
(VOLUME: -30 dB posizione)	+6 dB a 10 kHz

FILTRS

LOW	-3 dB a 16 Hz (6 dB/oct)
HIGH.....	-3 dB a 10 kHz (6 dB/oct)

Alimentazione

Tensione d'alimentazione.....	120/220/240V (50/60 Hz)
Per U.S.A. e Canada	120V (60 Hz)
Consumo di potenza	530 watts 640 VA nominali; 530 watts massimi

Dimensioni

430 mm (L)
160 mm (A)

430 mm (P)

Peso

17,3 kg netto

19 kg lordo

* **Dati tecnici e formato soggetti a modifiche senza avviso.**

* **In osservanza alle leggi e norme locali, gli apparecchi venduti in alcuni Paesi non sono dotati del selettore di tensione.**



SANSUI ELECTRIC CO., LTD.
14-1 Izumi 2-Chome, Suginami-ku, TOKYO 168, JAPAN